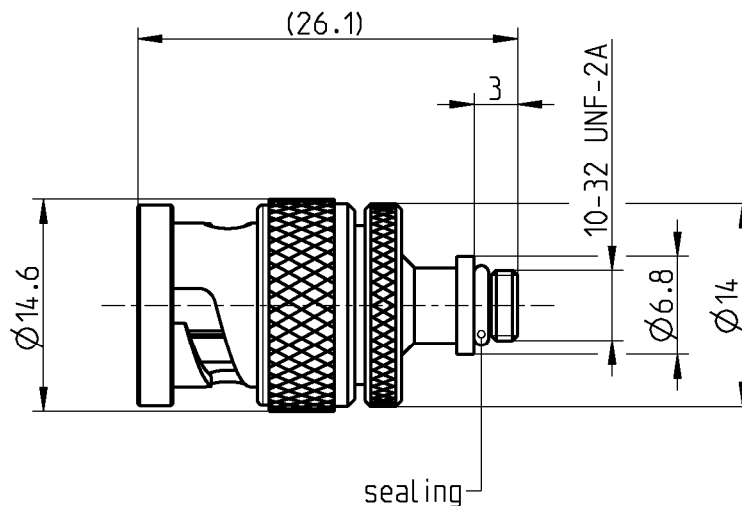


adaptor
bnc 50 Ω plug – Microdot jack

51S131-K00N5



All dimensions are in mm; tolerances according to ISO 2768 m-H

Interface

According to BNC side: IEC 60169-8, MIL-PRF-39012, CECC 22120
Microdot side: specification of MALCO INC.(USA)

Documents

N/A

Material and plating

Connector parts

Center contact BNC and Microdot side
Outer contact BNC and Microdot side
Body
Dielectric
Gasket
Gasket

Material

CuBe
Brass
Brass
PTFE
NeopreneCR 50C6
Silicone

Plating

AuroDur®, gold plated
Flash white bronze over silver(e.g. Optargen®)
Flash white bronze over silver(e.g. Optargen®)

adaptor
bnc 50 Ω plug – Microdot jack

51S131-K00N5

Electrical data

Impedance	50 Ω	
Frequency	DC to 2 GHz	
Return loss	≥ 25 dB, DC to 1 GHz	
	≥ 15 dB, 1 to 2 GHz	
Insertion loss	≤ 0.1 x √ f [GHz] dB	
Insulation resistance	≥ 5 x10 ³ MΩ	
Center contact resistance	≤ 1.5 mΩ, BNC side;	≤ 3 mΩ, Microdot side
Outer contact resistance	≤ 1 mΩ, BNC side;	≤ 3 mΩ, Microdot side
Test voltage	1000 V rms	
Working voltage	400 V rms	
Contact current (DC)	≤ 3 A typ.	

Mechanical data

	BNC side	Microdot side
Mating cycles	min. 500	min. 500
Center contact captivation: axial	≥ 15 N	≥ 15 N

Environmental data

Temperature range	-55°C to +155°C
Thermal shock	MIL-STD-202, Meth. 107, Cond. B
Corrosion	MIL-STD-202, Meth. 101, Cond. B
Vibration	MIL-STD-202, Meth. 204, Cond. B
Shock	MIL-STD-202, Meth. 213, Cond. G
Moisture resistance	MIL-STD-202, Meth. 106
RoHS	compliant

Tooling

N/A

Suitable cables

N/A

Weight

Weight 13.4 g/pce

While the information has been carefully compiled to the best of our knowledge, nothing is intended as representation or warranty on our part and no statement herein shall be construed as recommendation to infringe existing patents. In the effort to improve our products, we reserve the right to make changes judged to be necessary.

Draft	Date	Approved	Date	Rev.	Engineering change number	Name	Date
Chr. Entsfellner	17/07/08	Sa. Krautenbacher	18.03.14	e00	14-0352	T. Krojer	18.03.14
Rosenberger Hochfrequenztechnik GmbH & Co. KG P.O.Box 1260 D-84526 Tittmoning Germany www.rosenberger.de					Tel.: +49 8684 18-0 Fax: +49 8684 18-499 email: info@rosenberger.de		Page 2 / 2