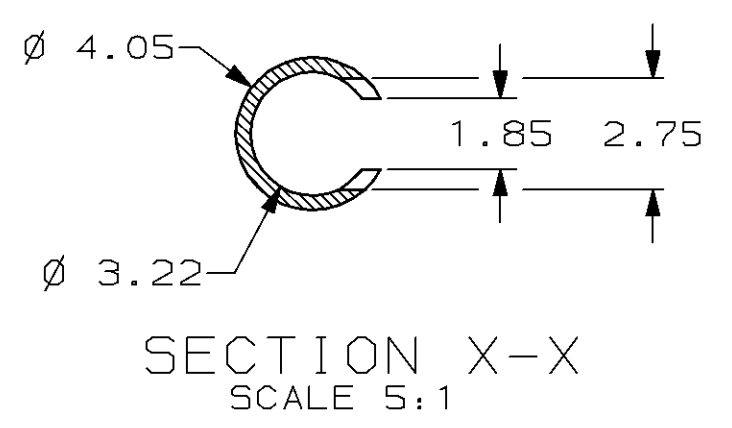
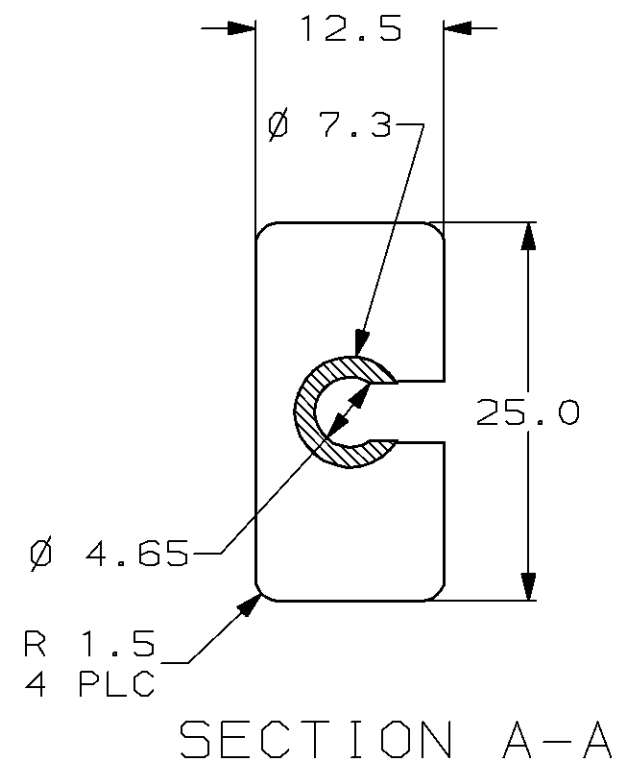
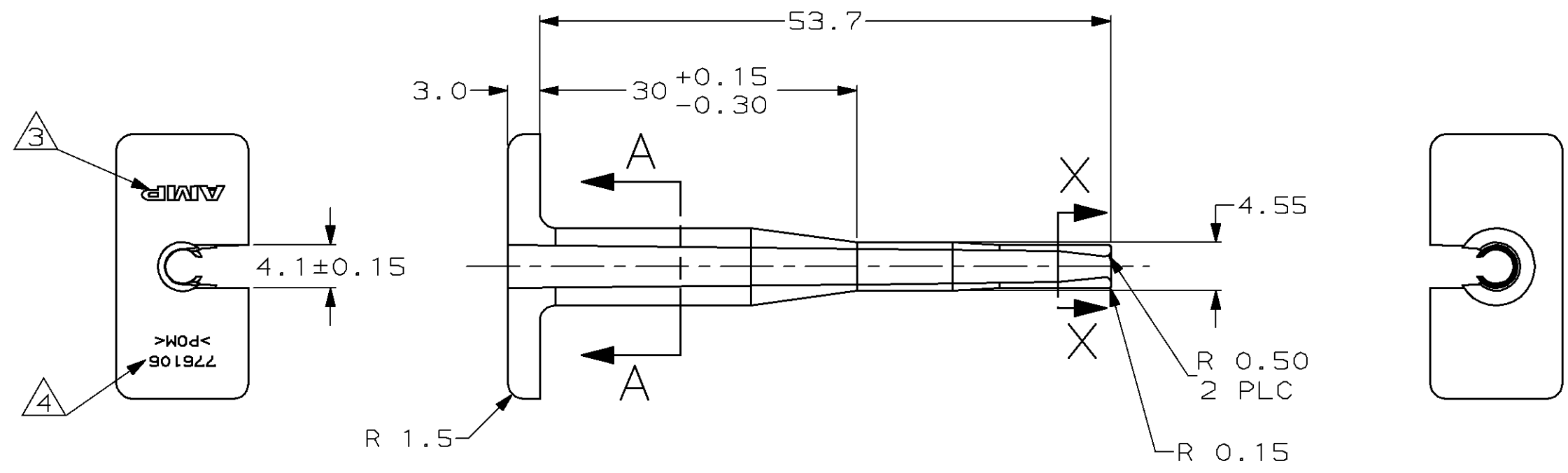


THIS DRAWING IS UNPUBLISHED. RELEASED FOR PUBLICATION ,19 .
 © COPYRIGHT 19 BY AMP INCORPORATED. ALL RIGHTS RESERVED.

LOC	DIST	REVISIONS			
P	LTR	DESCRIPTION	DATE	DWN	APVD
GE	55				
	0	PR 96025 - WAS 94-6901-111	12-17-96	PY	WL
	A	REV PER EC# 0K80-0056-98	4-6-98	PC	WL



- TOOL IS FOR USE WITH SOCKET CONTACT ASSEMBLY P/N 776093-1 AND PIN P/N 95-6901-12.
- MATERIAL : ACETAL (DELIN), COLOR: RED
- AMP LOGO SHALL BE LOCATED APPROXIMATELY AS SHOWN.
- APPLY POLYMER I.D. CHARACTERS AND PART NUMBER CHARACTERS LOCATED APPROXIMATELY AS SHOWN.

776106-1
PART NUMBER

THIS DRAWING IS A CONTROLLED DOCUMENT.		DWN P. YEAGER	12-17-96	AMP AMP Incorporated Harrisburg, PA 17105-3608												
DIMENSIONS: mm		CHK W. LONG	12-17-96													
TOLERANCES UNLESS OTHERWISE SPECIFIED:		APVD W. LONG	12-17-96	EXTRACTION TOOL												
<table border="0"> <tr><td>0 PLC</td><td>±-</td></tr> <tr><td>1 PLC</td><td>±0.3</td></tr> <tr><td>2 PLC</td><td>±0.10</td></tr> <tr><td>3 PLC</td><td>±-</td></tr> <tr><td>4 PLC</td><td>±-</td></tr> <tr><td>ANGLES</td><td>±1°</td></tr> </table>		0 PLC	±-			1 PLC	±0.3	2 PLC	±0.10	3 PLC	±-	4 PLC	±-	ANGLES	±1°	PRODUCT SPEC -
0 PLC	±-															
1 PLC	±0.3															
2 PLC	±0.10															
3 PLC	±-															
4 PLC	±-															
ANGLES	±1°															
MATERIAL ②		FINISH -		APPLICATION SPEC -	RESTRICTED TO -											
CUSTOMER DRAWING		WEIGHT -	SIZE A3	CAGE CODE 00779	DRAWING NO C-776106											
		SCALE 2:1	SHEET 1 OF 1	REV A												