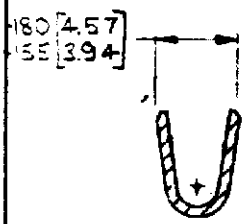
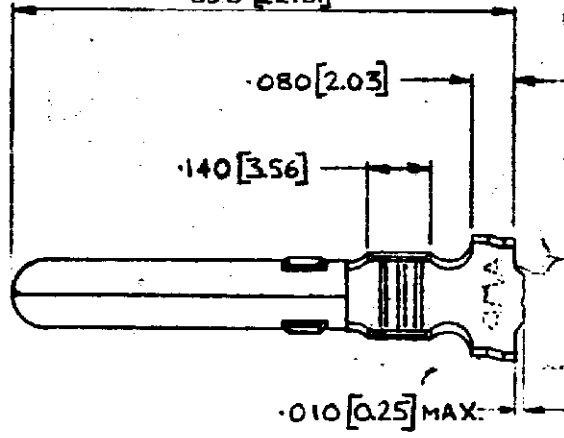
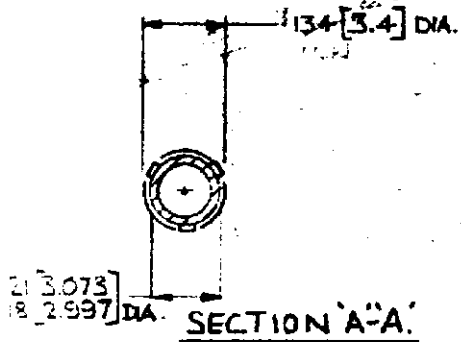
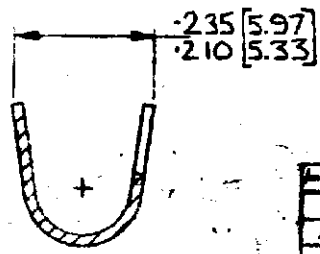


NUMBER C153226

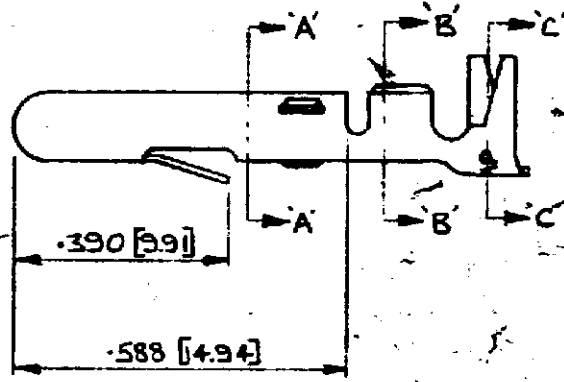
·898 [22.81]



SECTION B-B



SECTION C-C



153226	FINISH	MATERIAL
153226-5	PRE-TIN	BRASS (REVERSE SIDE)
153226-4	ELECTRO-TIN	PHOS BRONZE
153226-3	NONE	BRASS
153226-2	NONE	PHOS BRONZE
153226-1	PRE-TIN	BRASS
PART NO	FINISH	MATERIAL

INSULATION 120-170 [3.05-4.32]

M	153226-01	AEH	500	1000
L	153226-01	AEH	500	1000
K	WIRE GABREL SCRATCHES ADDED	P	-	20
J	134 DIA. MAIN ALLED	DAY	-	20
H	134 DIA. MAIN ALLED WIRE VERIFICATION	CS	-	20
G	REDRAWN MACHINE	PS	-	20
F	REVISION RECORD	OR	CHK	DATE
DR	PSMITH	20/78	DR	
CHK			APP	

G AMP of GREAT BRITAIN LTD
1971.

CUSTOMER COPY
REFERENCE ONLY

MATERIAL AND FINISH
013 [0.33]
STOCK

AMP
of Great Britain Ltd

TERMINAL HOUSE,
STANMORE
MDDX

SEE TABLE
WIRE RANGE INSULATION
20-35AWG 54E 420V

CLASS	TYPE
E	A
C-153226	

119 [3] DIA. LANDED PIN.

PAPER DIST