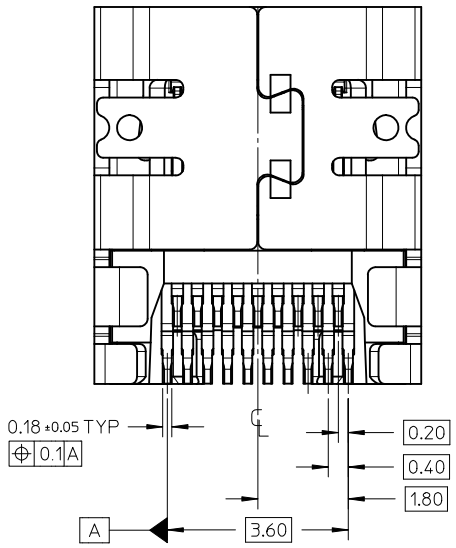
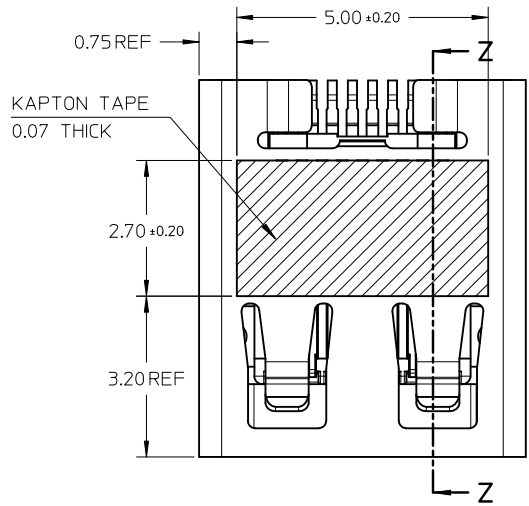
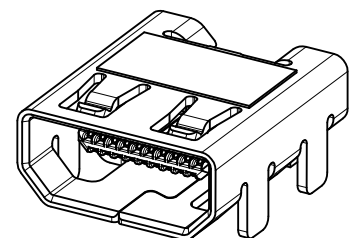
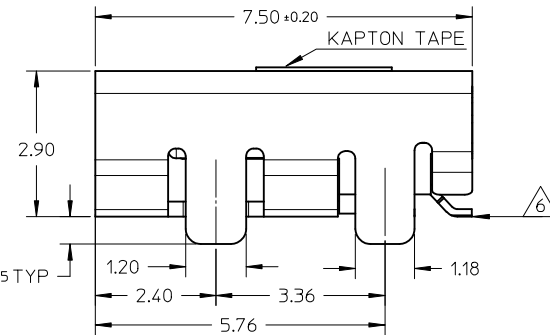
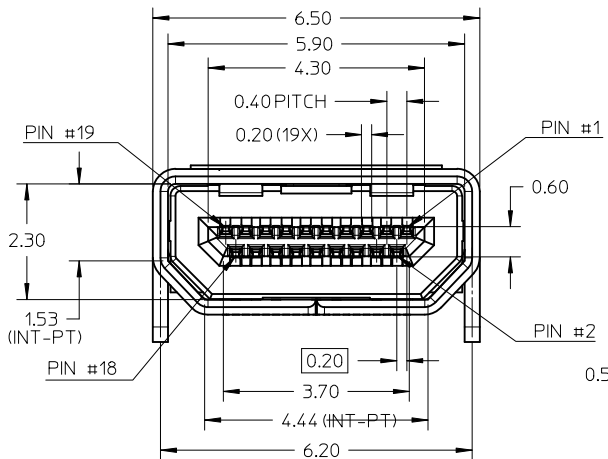


- NOTES:
- MATERIALS:
 - HOUSING: LCP, 30% GLASS FILLED, UL94V-0
 - TERMINALS: COPPER ALLOY
 - SHIELD: STAINLESS STEEL
 - FINISHES:
 - TERMINALS: GOLD ON CONTACT AREA (Refer Table), 0.05UM MIN GOLD FLASH ON SOLDER TAILS, AND 2.0UM MIN NICKEL UNDERPLATE OVERALL
 - SHIELD: MATTE TIN (Refer Table) OVER 1.27UM MIN NICKEL
 - PRODUCT SPECIFICATION: PS-46765-001
 - PACKAGING SPECIFICATION: PACKED IN TAPE & REEL
 - SEE SHEET 4 OF 5 FOR RECOMMENDED PCB LAYOUT
 - TERMINAL SOLDER-TAIL COPLANARITY 0.08 MAX

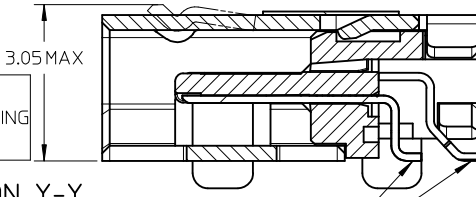
	Contact: 0.76µM Gold Min Shield: 3.8µM Tin Min	Contact: 0.38µM Gold Min Shield: 2.0µM Tin Min
MOUNTING TYPE	PART NUMBER	PART NUMBER
SMT TYPE+KAPTON TAPE	46765-0001	46765-0301
SMT TYPE	46765-0011	46765-0311



RELEASED EC NO: S2011-0647 DRWN: KSSHAMTHA 2011/02/18 CH'KD: JESSIECHUA 2011/03/29 APPR: NAGESHKN 2011/03/29	QUALITY SYMBOLS ▽=0 ▽=0	GENERAL TOLERANCES (UNLESS SPECIFIED)		DIMENSION STYLE MM ONLY		SCALE NTS	DESIGN UNITS METRIC	THIRD ANGLE PROJECTION		
		4 PLACES ± --- ± --- 3 PLACES ± --- ± --- 2 PLACES ± 0.1 ± --- 1 PLACE ± --- ± ---	mm INCH	DRAWN BY MKAMARAU	DATE 2008/10/14	TITLE MICRO HDMI, TYPE-D 0.4MM PITCH, 19CKT RECEPTACLE CONNECTOR				
		ANGULAR ± 2 °		CHECKED BY MKAMARAU	DATE 2008/10/14	MOLEX INCORPORATED				
		DRAFT WHERE APPLICABLE MUST REMAIN WITHIN DIMENSIONS		APPROVED BY NAGESHKN	DATE 2010/11/19	MATERIAL NO. SEE TABLE	DOCUMENT NO. SD-46765-001	SHEET NO. 1 OF 5		



MICRO HDMI-THRU HOLE TYPE MOUNTING ISOMETRIC VIEW

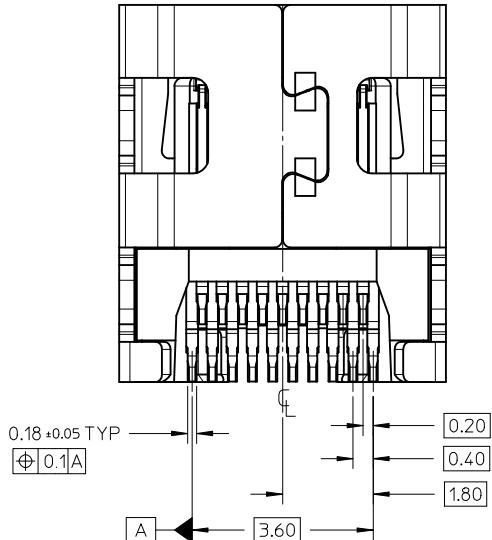
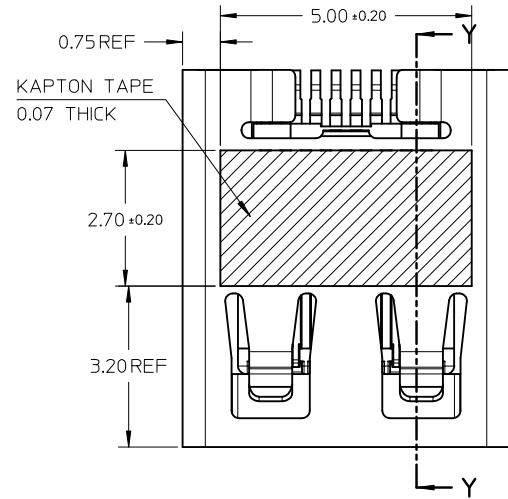


SECTION Y-Y

SELECTIVE GOLD FLASH ON SOLDERING FACE ONLY

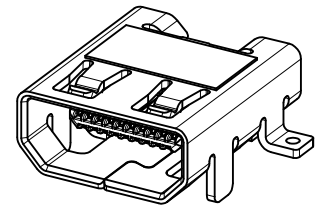
NOTES:

1. MATERIALS:
HOUSING: LCP, 30% GLASS FILLED, UL94V-0
TERMINALS: COPPER ALLOY
SHIELD: STAINLESS STEEL
2. FINISHES:
TERMINALS: GOLD ON CONTACT AREA (Refer Table),
0.05UM MIN GOLD FLASH ON SOLDER TAILS,
AND 2.0UM MIN NICKEL UNDERPLATE OVERALL
SHIELD: MATTE TIN (Refer Table) OVER 1.27UM MIN NICKEL
3. PRODUCT SPECIFICATION: PS-46765-001
4. PACKAGING SPECIFICATION: PACKED IN TAPE & REEL
5. SEE SHEET 4 OF 5 FOR RECOMMENDED PCB LAYOUT
6. TERMINAL SOLDER-TAIL COPLANARITY 0.08 MAX

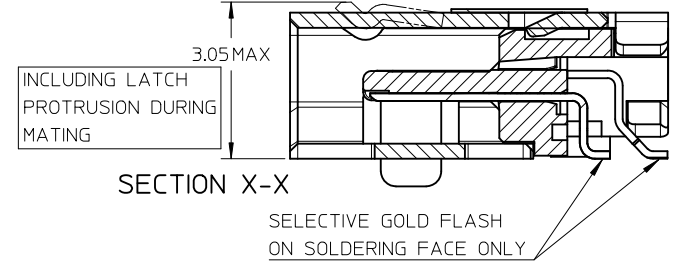
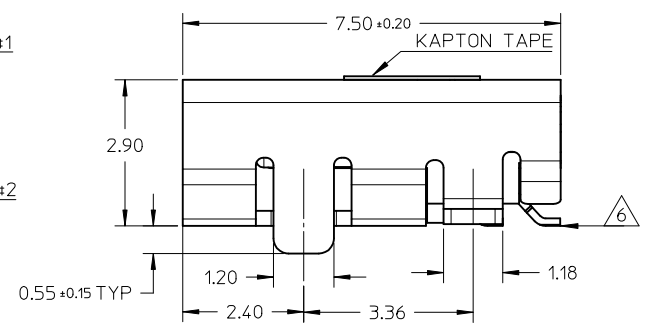
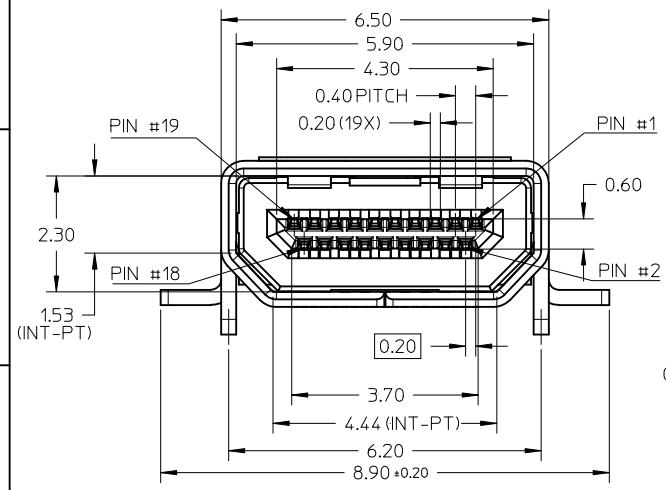


	Contact: 0.76µM Gold Min Shield: 3.8µM Tin Min	Contact: 0.38µM Gold Min Shield: 2.0µM Tin Min
MOUNTING TYPE	PART NUMBER	PART NUMBER
THRU HOLE TYPE+KAPTON TAPE	46765-1001	46765-1301
THRU HOLE TYPE	46765-1011	46765-1311

RELEASED EC NO: S2011-0647 DRW:KSSSHANTHA 2011/02/18 CHKD: JESSIECHUA 2011/03/29 APPR: NAGESHK 2011/03/29	QUALITY SYMBOLS	GENERAL TOLERANCES (UNLESS SPECIFIED)	DIMENSION STYLE	SCALE	DESIGN UNITS	THIRD ANGLE PROJECTION
	▼ = 0 ◻ = 0	mm INCH 4 PLACES ± --- ± --- 3 PLACES ± --- ± --- 2 PLACES ± 0.1 ± --- 1 PLACE ± --- ± --- ANGULAR ± 2 °	MM ONLY	NTS	METRIC	
	DESCRIPTION	DRAFT WHERE APPLICABLE MUST REMAIN WITHIN DIMENSIONS	DRAWN BY DATE MKAMARAU 2008/10/14 CHECKED BY DATE MKAMARAU 2008/10/14 APPROVED BY DATE NAGESHK 2010/11/19 MATERIAL NO.	TITLE		
	REV		SEE TABLE	DOCUMENT NO.	MICRO HDMI, TYPE-D 0.4MM PITCH, 19KCT RECEPTACLE CONNECTOR MOLEX INCORPORATED SD-46765-001	



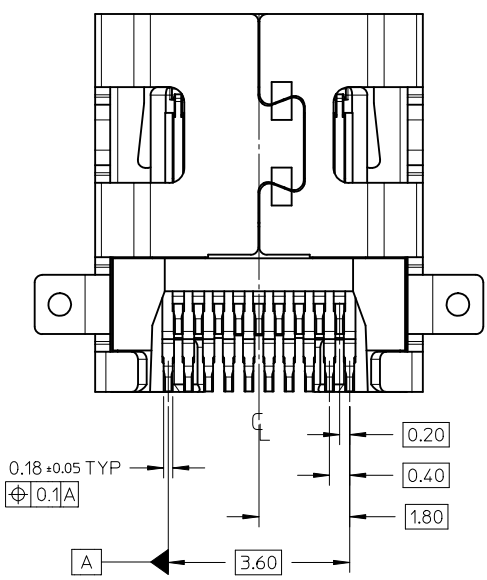
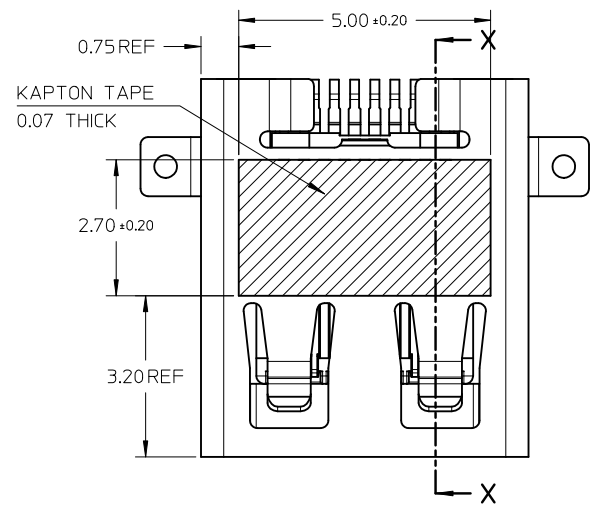
MICRO HDMI-HYBRID TYPE MOUNTING ISOMETRIC VIEW



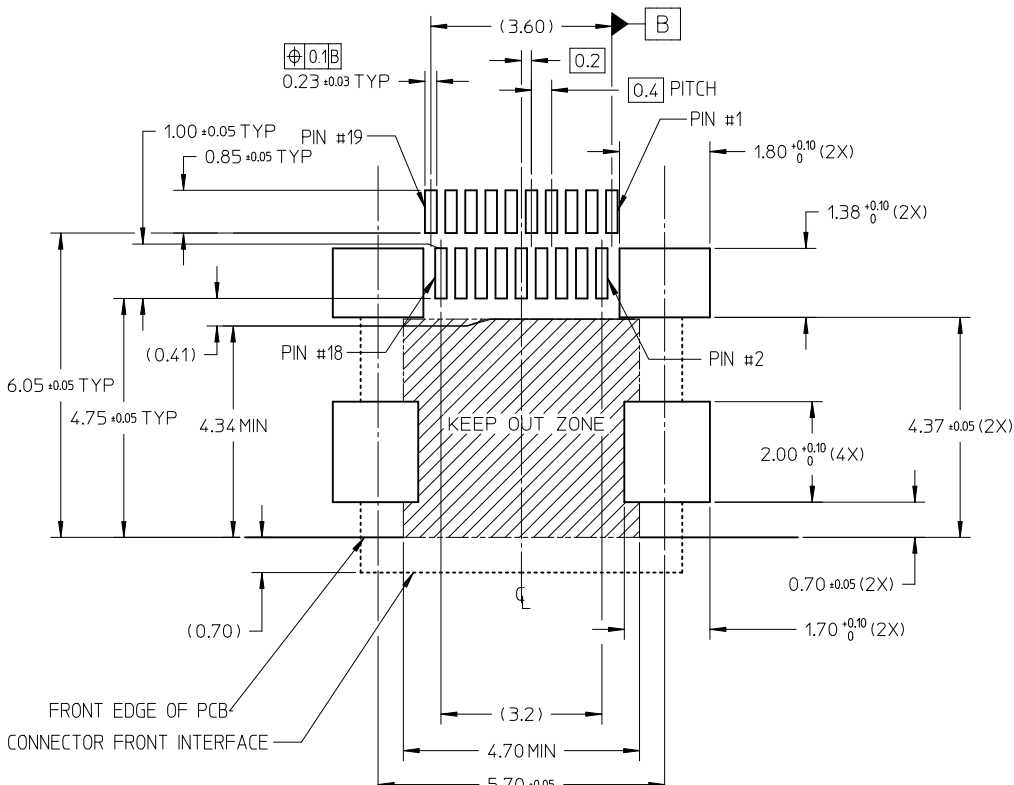
NOTES:

1. MATERIALS:
 - HOUSING: LCP, 30% GLASS FILLED, UL94V-0
 - TERMINALS: COPPER ALLOY
 - SHIELD: STAINLESS STEEL
 2. FINISHES:
 - TERMINALS: GOLD ON CONTACT AREA (Refer Table), 0.05UM MIN GOLD FLASH ON SOLDER TAILS, AND 2.0UM MIN NICKEL UNDERPLATE OVERALL
 - SHIELD: MATTE TIN (Refer Table) OVER 1.27UM MIN NICKEL
 3. PRODUCT SPECIFICATION: PS-46765-001
 4. PACKAGING SPECIFICATION: PACKED IN TAPE & REEL
 5. SEE SHEET 4 OF 5 FOR RECOMMENDED PCB LAYOUT
- △ TERMINAL SOLDER-TAIL COPLANARITY 0.08 MAX

	Contact: 0.76µM Gold Min Shield: 3.8µM Tin Min	Contact: 0.38µM Gold Min Shield: 2.0µM Tin Min
MOUNTING TYPE	PART NUMBER	PART NUMBER
HYBRID TYPE+KAPTON TAPE	46765-2001	46765-2301
HYBRID TYPE	46765-2011	46765-2311



RELEASED EC NO: S2011-0647 DRWN: KSSHANTHA 2011/02/18 CHKD: JESSIECHUA 2011/03/29 APPR: NAGESHKIN 2011/03/29	QUALITY SYMBOLS	GENERAL TOLERANCES (UNLESS SPECIFIED)	DIMENSION STYLE	SCALE	DESIGN UNITS	THIRD ANGLE PROJECTION	
	▽=0 ∇=0	mm INCH	MM ONLY	NTS	METRIC		
		4 PLACES ± --- ± --- 3 PLACES ± --- ± --- 2 PLACES ± 0.1 ± --- 1 PLACE ± --- ± ---	DRAWN BY DATE MKAMARAU 2008/10/14	TITLE	MICRO HDMI, TYPE-D 0.4MM PITCH, 19CKT RECEPTACLE CONNECTOR		
		ANGULAR ± 2 °	CHECKED BY DATE MKAMARAU 2008/10/14	APPROVED BY DATE NAGESHKIN 2010/11/19	MOLEX INCORPORATED		
	DRAFT WHERE APPLICABLE MUST REMAIN WITHIN DIMENSIONS	MATERIAL NO.	SEE TABLE	DOCUMENT NO.	SD-46765-001		
		SIZE	THIS DRAWING CONTAINS INFORMATION THAT IS PROPRIETARY TO MOLEX INCORPORATED AND SHOULD NOT BE USED WITHOUT WRITTEN PERMISSION			SHEET NO. 3 OF 5	

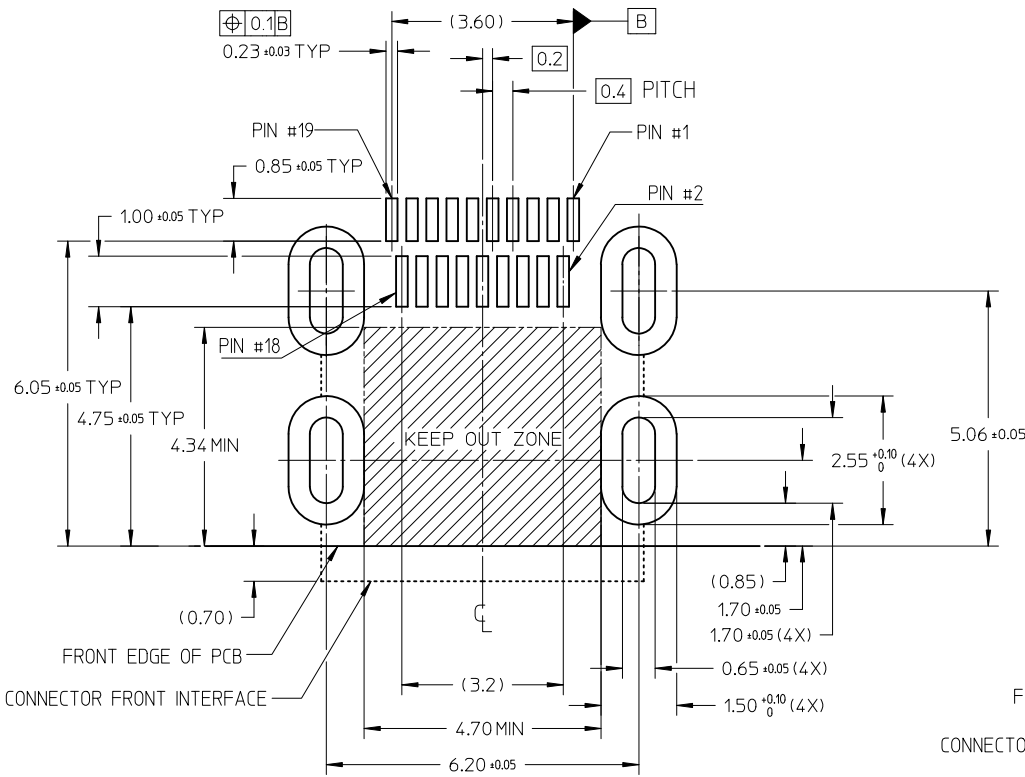


RECOMMENDED PCB LAYOUT
 COMPONENT SIDE OF BOARD
 SHEET 1 OF 5

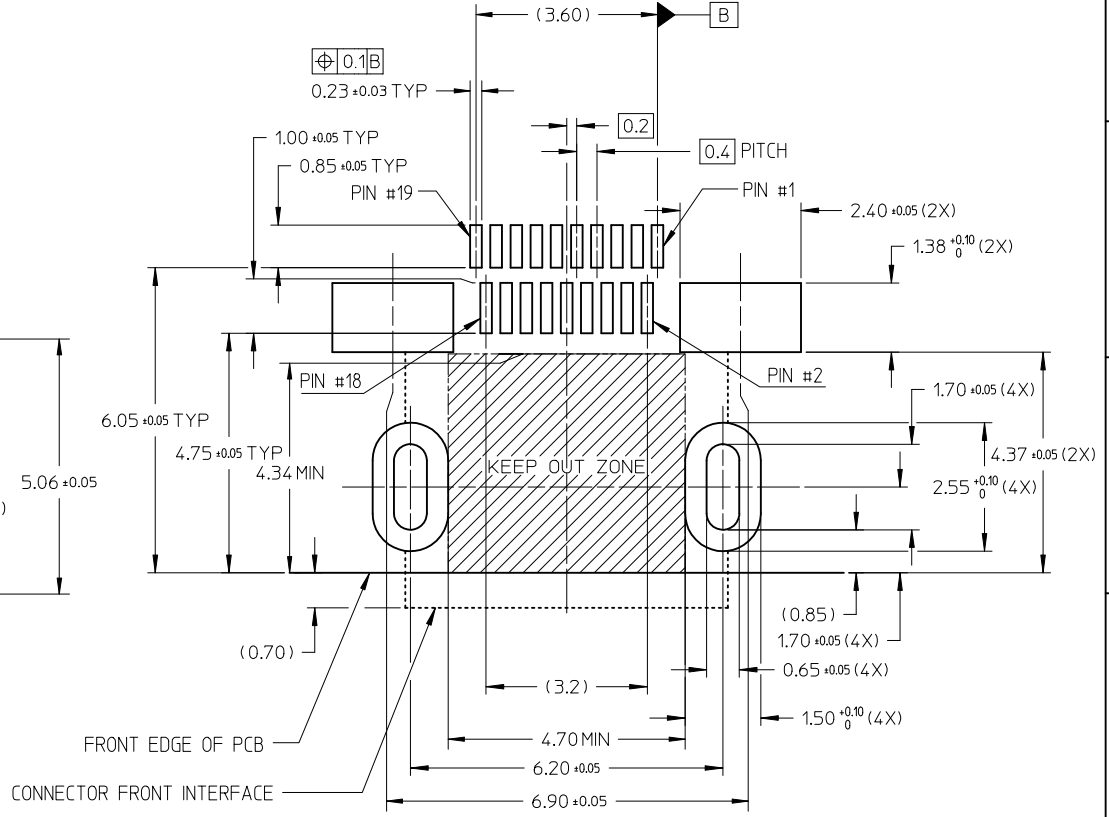
PIN	SIGNAL ASSIGNMENT
1	Hot Plug Detect
2	Utility
3	TMDS Data2+
4	TMDS Data2- Shield
5	TMDS Data2-
6	TMDS Data1+
7	TMDS Data1- Shield
8	TMDS Data1-
9	TMDS Data0+
10	TMDS Data0- Shield
11	TMDS Data0-
12	TMDS Clock+
13	TMDS Clock- Shield
14	TMDS Clock-
15	CEC
16	DDC/CEC Ground
17	SCL
18	SDA
19	+5V Power

CONNECTION	SIGNALS
	TYPE D CONNECTOR
FIRST MAKE	CONNECTOR SHELL
SECOND MAKE	PINS 1 - 18
THIRD MAKE	PIN 19 (+5V POWER)

RELEASED EC NO: S2011-0647 DRINKSSHANATHA 2011/02/18 CHKD: JESSIECHUA 2011/03/29 APPR: NAGESHKIN 2011/03/29	QUALITY SYMBOLS	GENERAL TOLERANCES (UNLESS SPECIFIED)		DIMENSION STYLE MM ONLY		SCALE NTS	DESIGN UNITS METRIC	THIRD ANGLE PROJECTION		
	▽=0	mm	INCH	DRAWN BY	DATE	TITLE				
	⊕=0	4 PLACES	± ---	± ---	MKAMARAU	2008/10/14	MICRO HDMI, TYPE-D 0.4MM PITCH, 19CKT RECEPTACLE CONNECTOR			
		3 PLACES	± ---	± ---	CHECKED BY	DATE				
		2 PLACES	± 0.1	± ---	MKAMARAU	2008/10/14	MOLEX INCORPORATED			
	1 PLACE	± ---	± ---	APPROVED BY	DATE					
		ANGULAR ± 2 °		NAGESHKIN	2010/11/19	DOCUMENT NO.		SHEET NO.		
		DRAFT WHERE APPLICABLE MUST REMAIN WITHIN DIMENSIONS		SEE TABLE		SD-46765-001		4 OF 5		
		THIS DRAWING CONTAINS INFORMATION THAT IS PROPRIETARY TO MOLEX INCORPORATED AND SHOULD NOT BE USED WITHOUT WRITTEN PERMISSION								



RECOMMENDED PCB LAYOUT
COMPONENT SIDE OF BOARD
SHEET 2 OF 5



RECOMMENDED PCB LAYOUT
COMPONENT SIDE OF BOARD
SHEET 3 OF 5

RELEASED EC NO: S2011-0647 DRWN: KSSHANTHA 2011/02/18 CHKD: JESSIECHUA 2011/03/29 APPR: NAGESHKIN 2011/03/29	DESCRIPTION B	REV	QUALITY SYMBOLS ▽=0 ◻=0	GENERAL TOLERANCES (UNLESS SPECIFIED)		DIMENSION STYLE MM ONLY		SCALE NTS	DESIGN UNITS METRIC	THIRD ANGLE PROJECTION				
				4 PLACES	± ---	± ---	DRAWN BY	DATE	TITLE					
				3 PLACES	± ---	± ---	CHECKED BY	DATE	MICRO HDMI, TYPE-D 0.4MM PITCH, 19CKT RECEPTACLE CONNECTOR MOLEX INCORPORATED					
				2 PLACES	± 0.1	± ---	APPROVED BY	DATE						
1 PLACE	± ---	± ---	ANGULAR ± 2 °		MATERIAL NO.		DOCUMENT NO.		SHEET NO.					
DRAFT WHERE APPLICABLE MUST REMAIN WITHIN DIMENSIONS				SEE TABLE		SD-46765-001		5 OF 5						
				SIZE A3		THIS DRAWING CONTAINS INFORMATION THAT IS PROPRIETARY TO MOLEX INCORPORATED AND SHOULD NOT BE USED WITHOUT WRITTEN PERMISSION								