

Mod. G7522 - Fittings Series 7000 - Automation

Product code: G7522 10-1/2

Datasheet creation date: 12/12/2025 08:33

Check the most updated document online [click here](#)

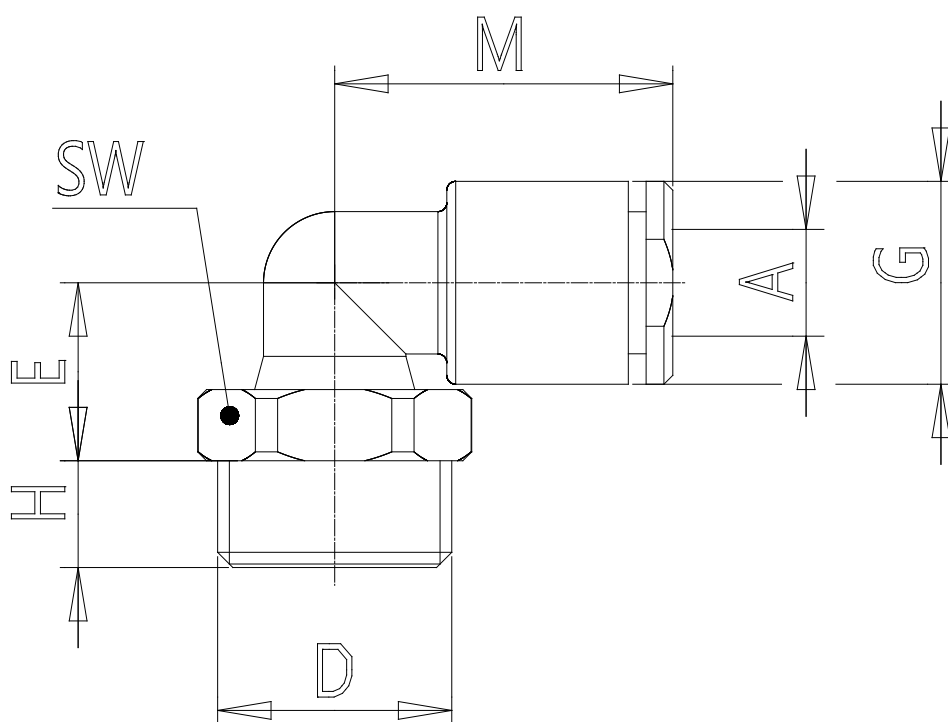


TECHNICAL DATA

Mod.	G7522 10-1/2
------	--------------

Mod. G7522 - Fittings Series 7000 - Automation

Product code: G7522 10-1/2



DIMENSIONS

A (mm)	10
D	G1/2
E (mm)	13.5
G (mm)	16.3
H (mm)	8.0
M (mm)	25.0
SW (mm)	24
Weight (g)	33