

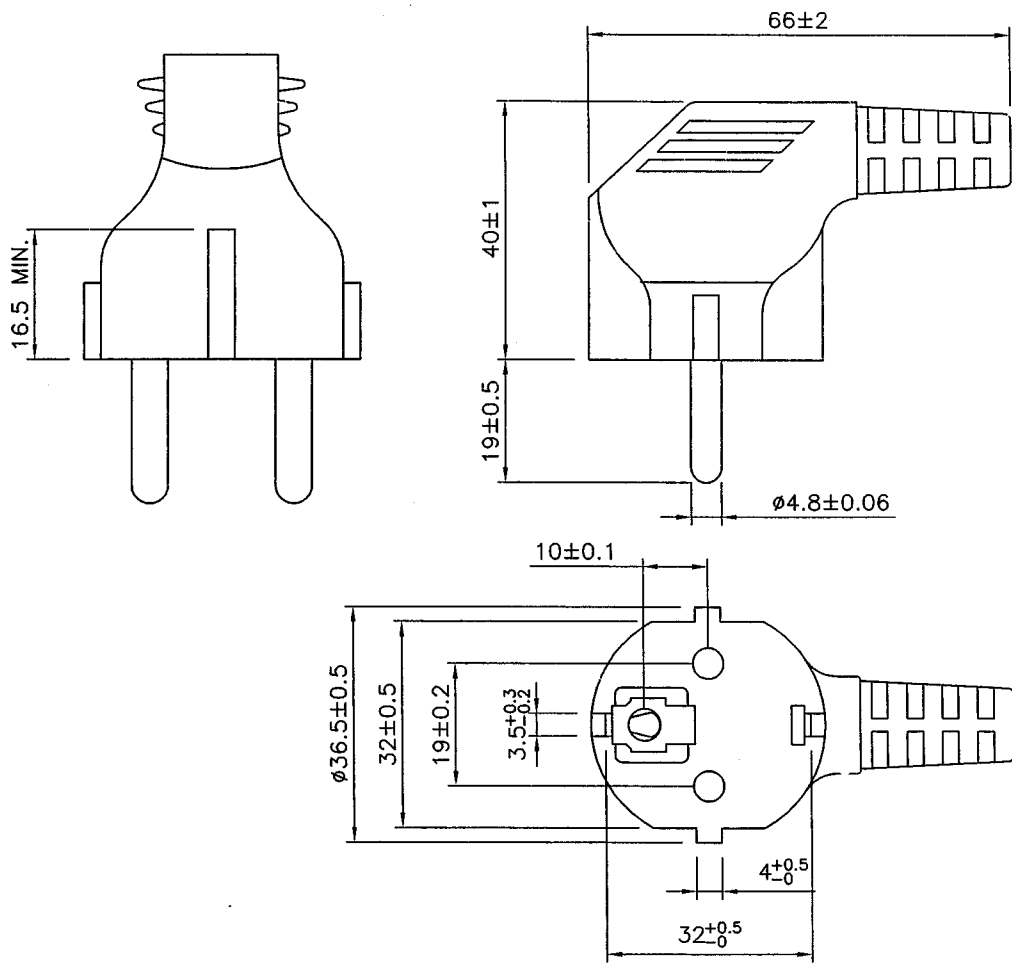
APPROVED SOURCE FOR CABLE

1. BAO HING(SHENZHEN).

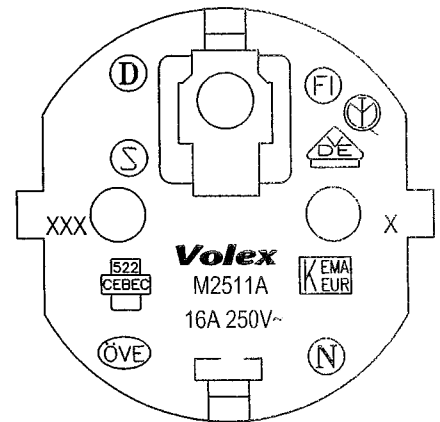
NOTE :

1. ALL DIMENSIONS IN mm.
2. THE CORD SHALL COMPLY WITH EN 50525-2-11.
3. THE MOLDED PLUG SHALL COMPLY WITH VARIOUS EUROPEAN COUNTRIES' CONFIGURATION (NATIONAL STANDARD) AND TESTED TO IEC 60884-1.
4. THE MOLDED CONNECTOR SHALL COMPLY WITH IEC 60320-1 OR EN 60320-1.
5. LABEL DETAILS : REFER TO LABEL DRAWING NO. : VL-T265.
6. THIS PART CAN BE MANUFACTURED AT ANY LOCATION WHICH HAS SAFETY APPROVAL.

6	PRINTED LABEL	VL-T265	1	
5	BAG LDPE 283X114X0.05 PRT (04)	904028	1	
4	6" PE TIE BLK	6310056	1	
3	IP60G NL7976B BLK	4100115	-	
	MOLDED CONNECTOR VAC5S (2.5A 250V)	VAC5S	1	
2	IP60G NL7976B BLK	4100115	-	
	MOLDED PLUG M2511A (16A 250V)	M2511A	1	
1	H05VV-F 3X0.75 BLK PVC LEAD FREE	1210334	1	
S/N	DESCRIPTION	ITEM NUMBER	QTY	
TITLE : EUROPEAN POWER SUPPLY CORDSET (PB FR)		SCALE : N.T.S.		
CUSTOMER : VPE/RS COMPONENTS		PAGE : 1/1		
CUSTOMER PART NUMBER : 7316157		ISSUE		
Reference Number : 144307/4 (EHG03-012-14)		001		
SALES :	QA :	ENGRG :	CHECKED BY :	DRAWN BY :
				MOLLY
Date :	Date :	Date :	Date :	Date :
		14/3/14	14/03/14	12/03/14
<small>Confidential property of Volex. Information contained herein shall not be disclosed to others, reproduced or used for any other purposes except as authorized in writing by an authorized official of Volex Asia.</small>				



REV.	DESCRIPTION	DATE
	UPDATE FORMAT AS SHOWN.	
J	REMOVE THE CLOSED FACTORY FROM MANU LOCATION MARK.	03/11/06
K	REMOVE THE CLOSED FACTORY FROM MANU LOCATION MARK.	20/07/09



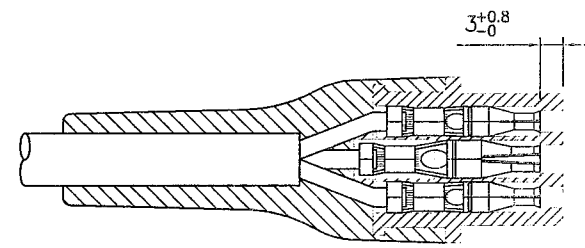
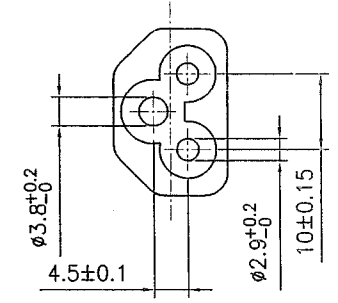
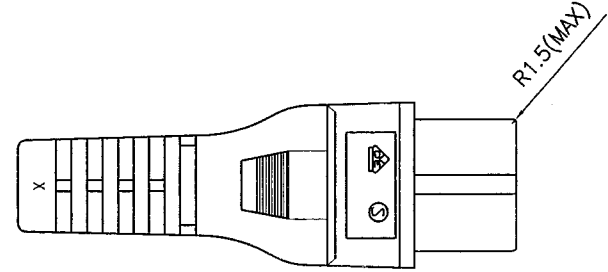
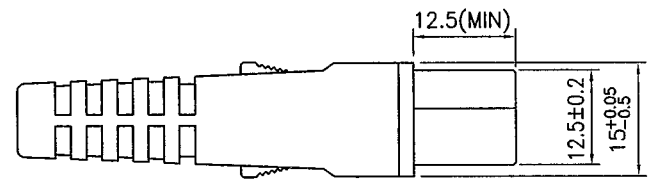
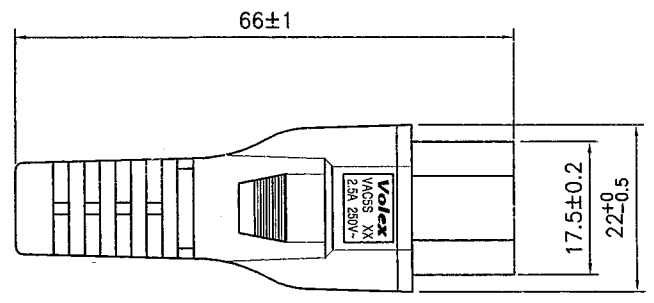
MARKING DETAILS

- NOTES :**
- 1.) ALL DIMENSIONS IN mm.
 - 2.) X - CAVITY NO. (OPTIONAL)
 - 3.) XXX - MANUFACTURING LOCATION.



HG	HENG GANG (CHINA)	X	DRAWN	LI XIA	20/07/09	FILE NAME :	TITLE :
SM1	ZHONGSHAN (CHINA)	X	CHECK	<i>hongli</i>	22/07/09	A-PLUG/EURO	MOLDED PLUG M2511A
VH	HANOI (VIETNAM)	X	APPR	<i>Walter</i>	29/7/9	/GENERAL/ M2511A-EURO	
B	BATAM (INDONESIA)	X	REV.	K	SCALE	N.T.S.	Volex (Asia) Pte Ltd <small>Confidential property of Volex. Information contained herein shall not be disclosed to others, reproduced or used for any other purposes except as authorized in writing by an authorized official of volex asia.</small>
VC	CHENNAI (INDIA)	X	REFERENCE :				
MANUFACTURE LOCATION MARK (' X ' IS APPLICABLE ONLY)			EUROPEAN APPROVAL				

REV.	DESCRIPTION	DATE
	UPDATE FORMAT AS SHOWN.	
H	REMOVE THE CLOSED FACTORY FM. MANU. LOC. MARK.	02/11/06
	REMOVE THE CLOSED FACTORY FROM MANU.	
I	LOCATION MARK.	23/07/09



Volex
VAC5S XX
2.5A 250V~

MARKING DETAILS :

NOTES :

- 1.) ALL DIMENSIONS IN mm.
- 2.) X - CAVITY NO. (OPTIONAL)
- 3.) XX - MANUFACTURING LOCATION

HG	HENG GANG (CHINA)	X	DRAWN	QIAN SM	23/07/09	FILE NAME :	TITLE :	
SM1	ZHONGSHAN (CHINA)	X	CHECK	<i>hongli</i>	27/07/09	A-CONN/EURO/GENERAL	MOLDED CONNECTOR	
VH	HANOI (VIETNAM)		APPR	<i>Weta</i>	30/7/19	/VACSS-EUROPEAN	VAC5S	
B	BATAM (INDONESIA)	X	REV.	I	SCALE	N.T.S.		
VC	CHENNAI (INDIA)		REFERENCE :					Volex (Asia) Pte Ltd
MANUFACTURE LOCATION MARK (' X ' IS APPLICABLE ONLY)			EUROPEAN APPROVAL					<small>Confidential property of Volex. Information contained herein shall not be disclosed to others, reproduced or used for any other purposes except as authorized in writing by an authorized official of volex asia.</small>