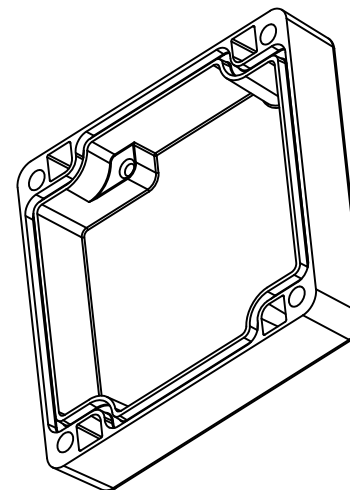
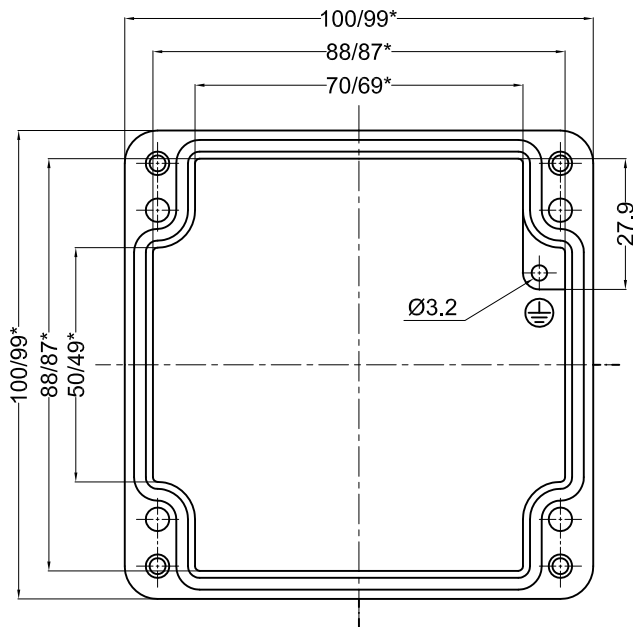
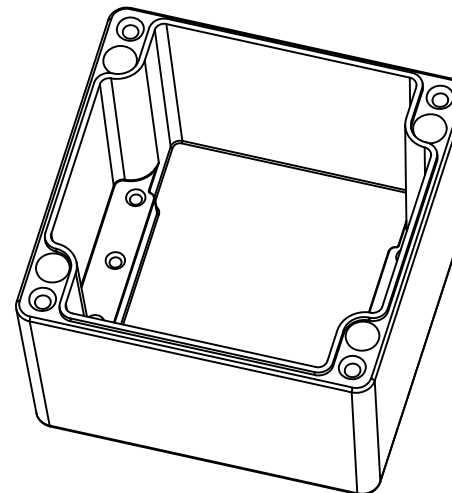
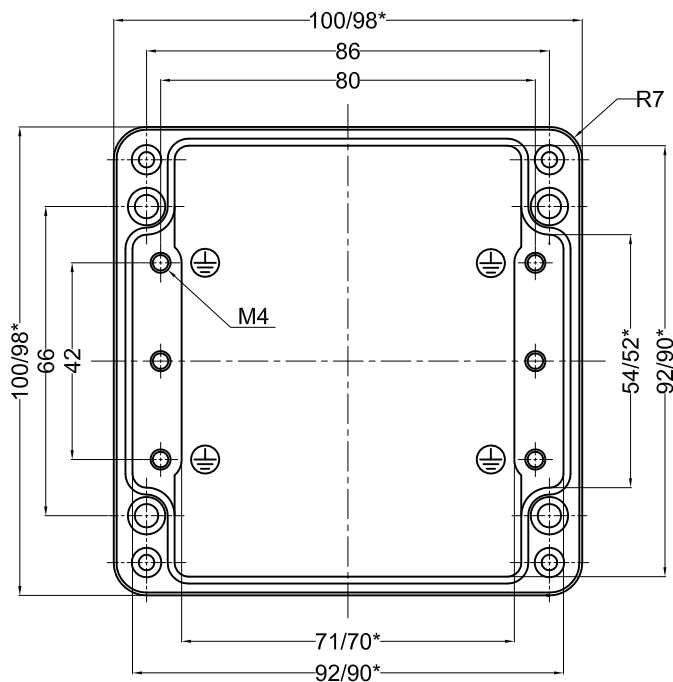


* = Conical form tapering downward.
 Untoleranced dimensions per GTA 13/5 DIN 1688

LID



BASE



- NOTE -
- 1) SHRINKAGE 0.5%
 - 2) THEORITICAL VOLUME -
 - 3) EJECTOR PIN DEPTH 0.1 - 0.5mm
 - 4) NON DIMENSIONAL RADIUS - 0.5mm
 - 5) ALL EDGES ARE BURR FREE
 - 6) FUNCTIONALLY CO-ORDINATED
 - 7) TOLERANCE AS PER DIN 1688 (GTA $\frac{1}{2}$) STD.
 maximum size / minimum size regarding tool deform
 - 8) Draft angle : out side max.2°, inside max.3°
 - 9) =Functions-dimensions to be checked (TOLERANCE ±0.10mm)

| NO. | REV.NO. | DESCRIPTION | DATE | SIGN | NAME | CHECKED |
|-----------|------------|--------------------------------------------|----------|------|----------|--------------|
| QUANTITY | 1 | MATERIAL :- AlSi12 DIN230 | | | | |
| | | MACH.NAME | | | | |
| | | TITLE :- JUNCTION BOX 100 x 100 x 81 | 09/06/12 | | MANOJ | DRAWN |
| | | | 09/06/12 | | PAVAN | CHECKED |
| | | | | | S.D. | APPROVED |
| | | WEIGHT: | | | | |
| | | FINISH: | | | | |
| | | NATURAL | | | | |
| TOLERANCE | | | | | | |
| ±0.1 | DIMENSIONS | | | | | |
| ±0.1 | HOLES | | | | | |
| ±1.0° | ANGLES | | | | | |
| | | SCALE | | | PARTNO. | 0 |
| | | REV | | | DRG. NO. | |
| | | 0 | | | | AJB-10010081 |