



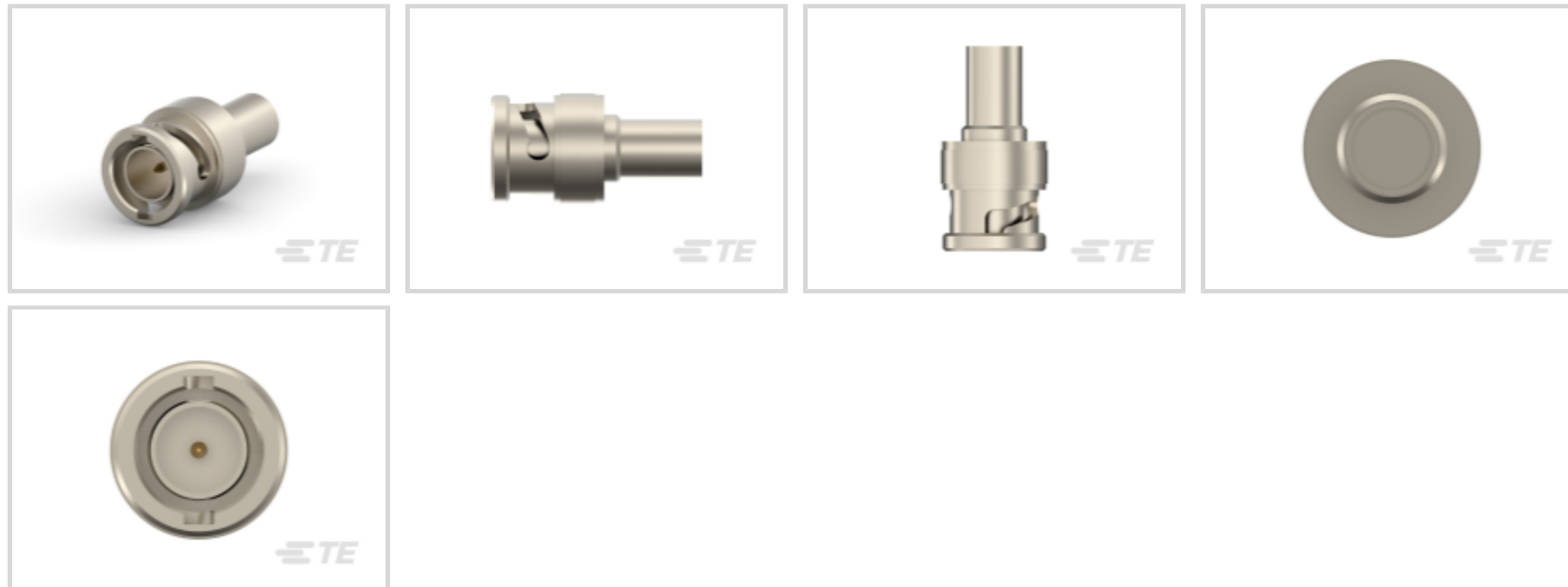
BNC

TE Internal #: 134959-1

TE Internal Description: BNC PLUG 75 OHM STR

[View on TE.com >](#)

Connectors > RF Connectors > Coax Connectors



RF Interface: **BNC**

RF Connector Style: **Plug**

RF Connector Mated Outer Diameter (Approximate): **14.53 mm [.572 in]**

Impedance: **75 Ω**

Compatible With RF Cable Type: **RG 140, RG 59, RG 62, RG 71, URM 70, URM 90**

Features

Product Type Features

RF Interface	BNC
RF Connector Style	Plug
Compatible With RF Cable Type	RG 140, RG 59, RG 62, RG 71, URM 70, URM 90
Connector System	Cable-to-Cable
Sealable	No
Connector & Contact Terminates To	Wire & Cable

Configuration Features

Number of Positions	1
Number of Coaxial Contacts	1

Electrical Characteristics

Impedance	75 Ω
-----------	------

Body Features

Body Material	Brass
Body Plating Material	Nickel

Contact Features

Crimp Type	Hexagonal Crimping
RF Connector Center Contact Underplating Material	Nickel
RF Connector Center Contact Plating Material	Gold (Au)
RF Connector Center Contact Material	Copper Zinc

Termination Features

Termination Method to Wire & Cable	Crimp
------------------------------------	-------

Mechanical Attachment

RF Connector Coupling Mechanism	Bayonet
Connector Mounting Type	Cable Mount (Free-Hanging)
RF Contact Captivation Method	Mechanical
Detent	With

Housing Features

Body Orientation	Straight
------------------	----------

Dimensions

RF Connector Mated Outer Diameter (Approximate)	14.53 mm[.572 in]
---	-------------------

Usage Conditions

Insulation Option	Uninsulated
-------------------	-------------

Operation/Application

Operating Frequency Range	2 GHz
---------------------------	-------

Packaging Features

Packaging Quantity	1
Packaging Method	Box

Other

Coupling Nut Base Material	Brass
Grade	Commercial
Dielectric Material	PTFE Thermoplastic

Product Compliance

For compliance documentation, visit the product page on TE.com>

EU RoHS Directive 2011/65/EU	Compliant with Exemptions
------------------------------	---------------------------



EU ELV Directive 2000/53/EC

Compliant with Exemptions

China RoHS 2 Directive MIIT Order No 32, 2016

有害物质含量超出标准 Restricted Substance(s) Above Threshold

EU REACH Regulation (EC) No. 1907/2006

Current ECHA Candidate List: JUNE 2025 (250)

Candidate List Declared Against: JUNE 2024 (241)

SVHC > Threshold:

Pb (3% in Component Part)

Article Safe Usage Statements:

Do not eat, drink or smoke when using this product. Wash thoroughly after handling. Recycle if possible and dispose of the article by following all applicable governmental regulations relevant to your geographic location.

Halogen Content

Low Halogen - Br, Cl, F < 900 ppm per homogenous material. Also BFR/CFR/PVC Free

Solder Process Capability

Not applicable for solder process capability

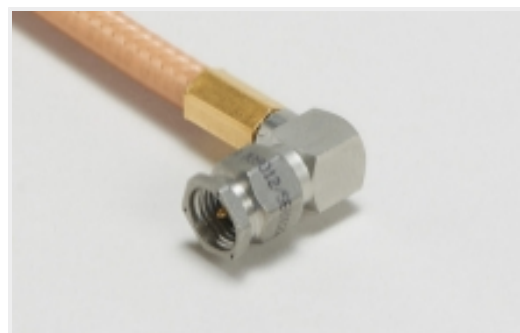
Product Compliance Disclaimer

This information is provided based on reasonable inquiry of our suppliers and represents our current actual knowledge based on the information they provided. This information is subject to change. The part numbers that TE has identified as EU RoHS compliant have a maximum concentration of 0.1% by weight in homogenous materials for lead, hexavalent chromium, mercury, PBB, PBDE, DBP, BBP, DEHP, DIBP, and 0.01% for cadmium, or qualify for an exemption to these limits as defined in the Annexes of Directive 2011/65/EU (RoHS2). Finished electrical and electronic equipment products will be CE marked as required by Directive 2011/65/EU. Components may not be CE marked. Additionally, the part numbers that TE has identified as EU ELV compliant have a maximum concentration of 0.1% by weight in homogenous materials for lead, hexavalent chromium, and mercury, and 0.01% for cadmium, or qualify for an exemption to these limits as defined in the Annexes of Directive 2000/53/EC (ELV). Regarding the REACH Regulation, the information TE provides on SVHC in articles for this part number is based on the latest European Chemicals Agency (ECHA) 'Guidance on requirements for substances in articles' posted at this URL: <https://echa.europa.eu/guidance-documents/guidance-on-reach>

Also in the Series | BNC



Coax Connectors(166)

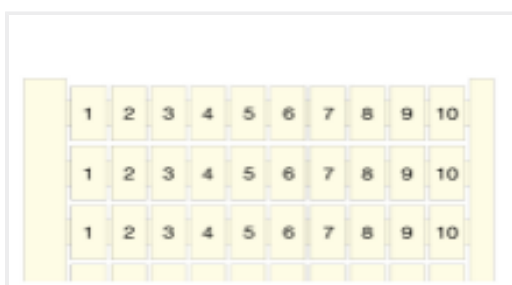


RF Cable Assemblies(25)

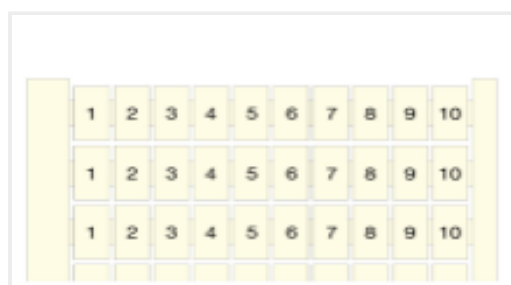


RF Terminators(1)

Customers Also Bought



TE Part #1SNA231008R0300
RC510 61->70 (X10) HORIZONTAL



TE Part #1SNA231005R2000
RC510 31->40 (X10) HORIZONTAL



TE Part #CAT-T3437-Z1
Z-Type Push-On Markers



TE Part #1563772-1
6POS, TAB 2.8X0.8, TAB HSG, NO 2.
LOCK, BK



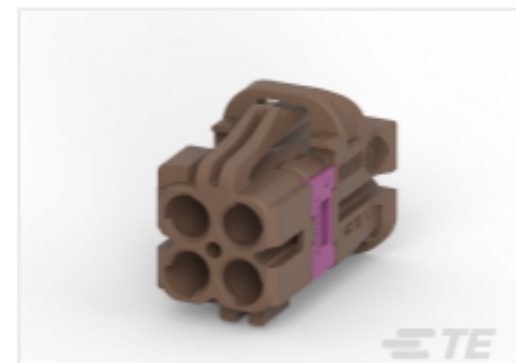
TE Part #2836602-2
OCEAN_2.0_Applicator-S-037F-SSA-
DC



TE Part #2836797-1
OCEAN_2.0_Applicator-S-114O-SSM



TE Part #2836798-1
OCEAN_2.0_MSPS_Applicator-S-
089O-SSM-DC



TE Part #2298721-6
4P, MATE-AX, SOC HSG ASSY, 180DEG,
COD F



TE Part #2298729-1
TPA SOC HSG, 4POS, MATE-AX

Documents

Product Drawings

[BNC PLUG 75 OHM STR](#)

English

CAD Files

[3D PDF](#)

3D

Customer View Model

[ENG_CVM_CVM_134959-1_B.2d_dxf.zip](#)

English

Customer View Model

[ENG_CVM_CVM_134959-1_B.3d_igs.zip](#)

English

Customer View Model

[ENG_CVM_CVM_134959-1_B.3d_stp.zip](#)

English

By downloading the CAD file I accept and agree to the [Terms and Conditions](#) of use.

Datasheets & Catalog Pages



BNC Connectors

English

Product Specifications

Product Specification

English