

# MTCN series Nylon Clamp core (Two-halves split type with nylon clamp)



### Features

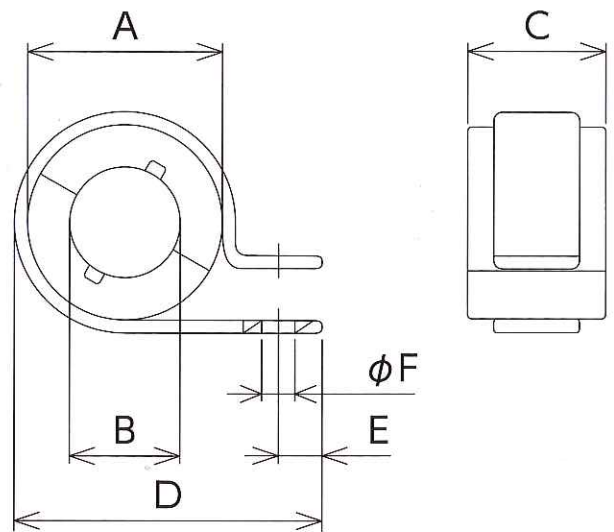
1. Being integrated, the entire core and nylon clamp can be fastened to the device with screw.
2. These series can be easily mounted to either the cable arranged or the cable with connector.

### Application

Elimination of unnecessary radiation and improvement of noise immunity on a variety of equipment for medical, communication, peripherals, FA, etc.

### Nylon Clamp material

PA66 (Nylon) UL94-V2



Item number	Dimention (mm)						Adaptation Cable Diameter $\Phi$ (mm)	Impedance( $\Omega$ )	
	A	B	C	D	E	F		1 turn 100MHz	2 turn 100MHz
MTCN 16813	16.3	8.15	13	29.7	4.8	4.3	7.7 or less	101	389
MTCN 16816			16					122	481
MTCN 201010	20.5	10.3	10	36	6.3	5.1	9.8 or less	82	305
MTCN 231114	23.8	11.4	14	39.1			11.0 or less	118	482
MTCN 281613	28.5	16.3	13	45			15.8 or less	90	363
MTCN 281620			20				135	556	
MTCN 402715H			40.5				27.4	15	58