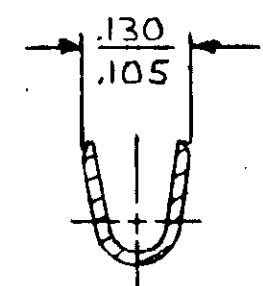
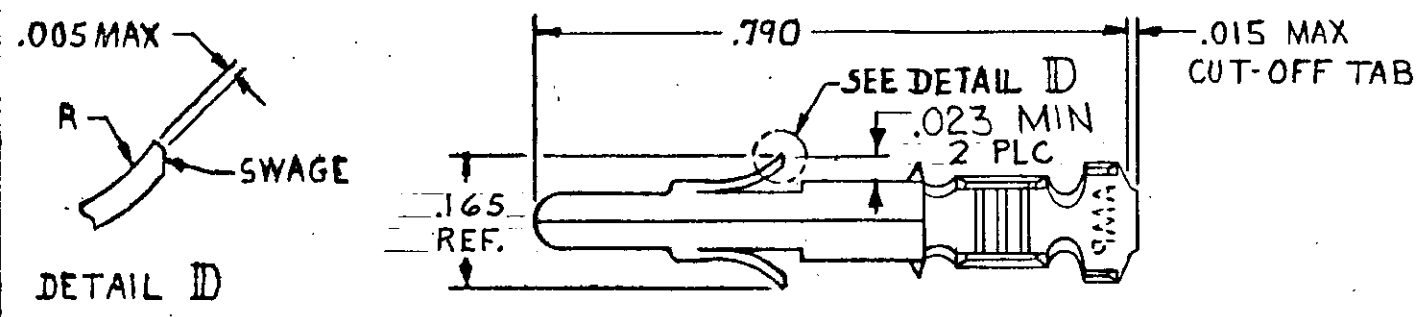
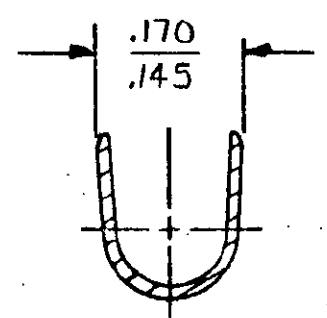
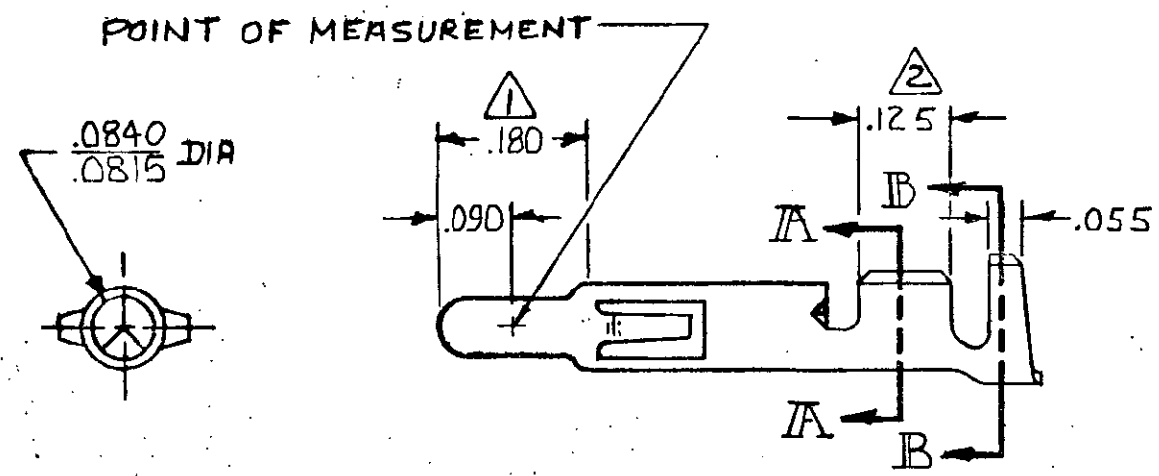


© COPYRIGHT 1973 BY AMP INCORPORATED, HARRISBURG, PA.
ALL INTERNATIONAL RIGHTS RESERVED. AMP INCORPORATED PRODUCTS
COVERED BY U. S. AND FOREIGN PATENTS AND/OR PATENTS PENDING.

REVISIONS						
P	F	ZONE	LTR	DESCRIPTION	DATE	APPROVED
✓	✓		H	REDRAWN + UPDATED M-6457	6-8-81	MSF/ΔH
✓	✓		J	REVISED M-7350	7/2/83	MSF/ΔH
✓	✓		K	REVISED AG 57	10/21/83	MSF/ΔH
✓	✓		K ₁	RESTORED	4/3/85	MSF/ΔH
✓	✓		L	REVISED PER CM-1728	9-6-88	PH JB
✓	✓		M	REVISED PER CM-3286	2-7-91	PH RS
✓	✓		N	REV PER EC 0730-3607-91	1-7-94	RV RS
✓	✓		P	REV PER EC 0730-0156-94	8-24-94	RV RS



SECTION A-A



SECTION B-B

- ① PLATED WITH .000030 GOLD, OVER .000050 NICKEL UNDERPLATE
- ② PLATED INTERNALLY WITH .000030 GOLD.

GOLD	①	.012 BRASS	350547-7
		.012 PH. BRZ	350547-6
PRE-TIN		.012 PH. BRZ.	350547-3
GOLD	①/②	.012 BRASS	350547-2
PRE-TIN			350547-1
FINISH		MATERIAL	PART NO

UNLESS OTHERWISE SPECIFIED DIMENSIONS ARE IN INCHES. TOLERANCES ON: DECIMALS ± .015 ANGLES ±	CONTRACT NO	AMP AMP INCORPORATED Harrisburg, Pa.	
	DR M.FEHER 5-6-81	NAME PIN, (LOOSE PIECE) UNIVERSAL MATE-N-LOK	
	CHK D.S. Heide 6/9/81	SIZE B	CODE IDENT NO 00779
WIRE RANGE 20-14 AWG	APPD A. Polachuk 6-10-81	DRAWING NO	350547
INSULATION RANGE .130 DIA MAX.	DSCN APPD	SCALE 4-1	SHEET #
	OTHER APPD		