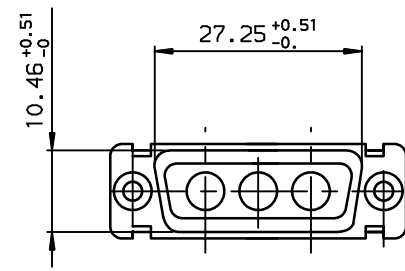
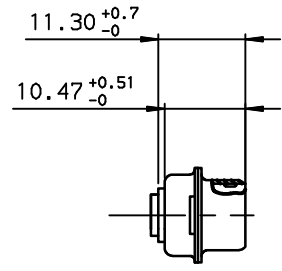
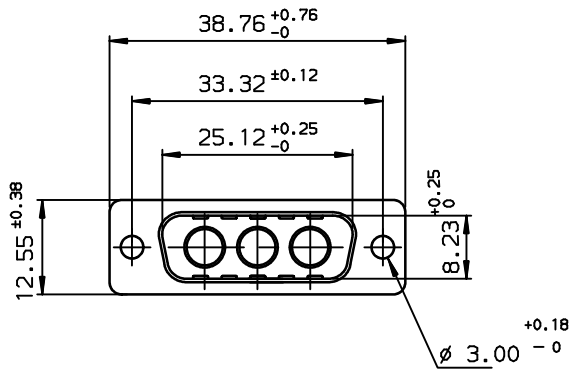
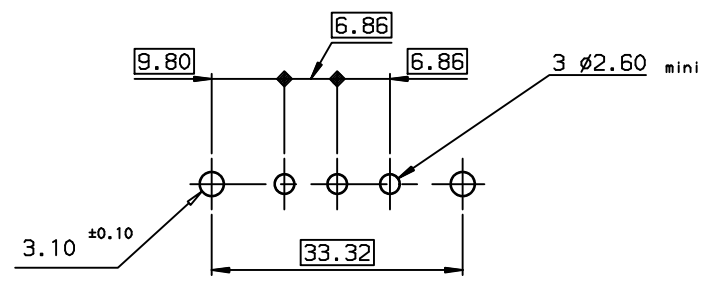
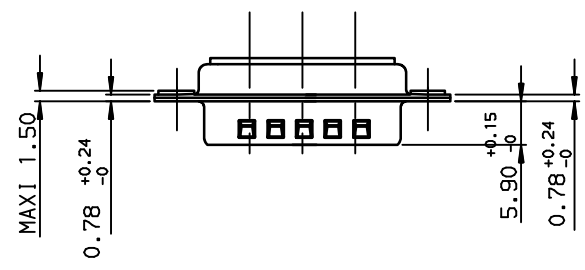


TIN LEAD Part Number : DA3W3PA00
 LEAD FREE Part Number : DA3W3PA00LF



PC card drilling dimensions (thickness:1.60)



GENERAL CHARACTERISTICS AND ROHS INFORMATIONS:
 SEE DRAWING C01-8639-0003

European Views

www.fciconnect.com				surface ISO 1302 ✓	tolerance std ISO 406 ISO 1101	projection mm	TOLERANCES UNLESS OTHERWISE SPECIFIED					
Dr	JARRY	1995/09/15	Eng	PESSON	1995/09/15	ANGULAR	LINEAR	0.x ±0.1				
B	LS05-003	MPE	2005/03/28	Chr	LEGARE	1995/09/15	0.xx ±0.1	0.xxx ±0.1				
D	LS06-0095	LGO	2006/07/19	Appr	LEGARE	1995/09/15	Product family	D-SUB				
							size	A3	Scale	1.5		
							ECN	LS06-0095				
							Spec ref	-				
							title		PIN connector for			
							POWERS CONTACTS		chg no	C01-8639-0458	Rev.	D
							catalog no	-		CUSTOMER	sheet 1 of 1	