

SENCITY® Rondo SISO Antenna

1399.31.0004

Properties

- Omnidirectional antenna for Cellular bands from 698 MHz till 3800 MHz
- Gain of 6 dBi with Vertical polarization in the high bands
- PIM better than -153 dBc at 2x43 dBm
- Multi function bracket for 5 different installations as separate item 9091.99.0258
- Plenum rated cable terminated with 4310 female connector

**Electrical bands**

	Band 1	Band 2	Band 3	Band 4
Frequency (MHz)	698 MHz ... 790 MHz	790 MHz ... 960 MHz	1710 MHz ... 2170 MHz	2170 MHz ... 2700 MHz
Impedance	50 Ω	50 Ω	50 Ω	50 Ω
VSWR	1.5	1.5	1.5	1.5
Gain (dBi)	2 dBi	3 dBi	5.5 dBi	7 dBi
Ambient Temperature	55 °C			
Composite Power max	50 W			

	Band 5
Frequency (MHz)	3400 MHz ... 3800 MHz
Impedance	50 Ω
VSWR	1.5
Gain (dBi)	6 dBi
Ambient Temperature	
Composite Power max	

Electrical remarks

Remarks	Gain specification defined without use of ground plane.
---------	---

Ports

	Port 1
Connector	4.3-10, jack (female)
Cable type	SUCOFORM_141_CU_CMP

SENCITY® Rondo SISO Antenna

1399.31.0004

Ports	
	Port 1
Cable length	0.3 m
Polarization	vertical
DC grounded	Yes

Connections	
	Port 1
Port number	Port 1
Band 1	✓
Band 2	✓
Band 3	✓
Band 4	✓
Band 5	✓

Mechanical data	
Dimensions	87 mm x 238 mm (Height x Diameter)

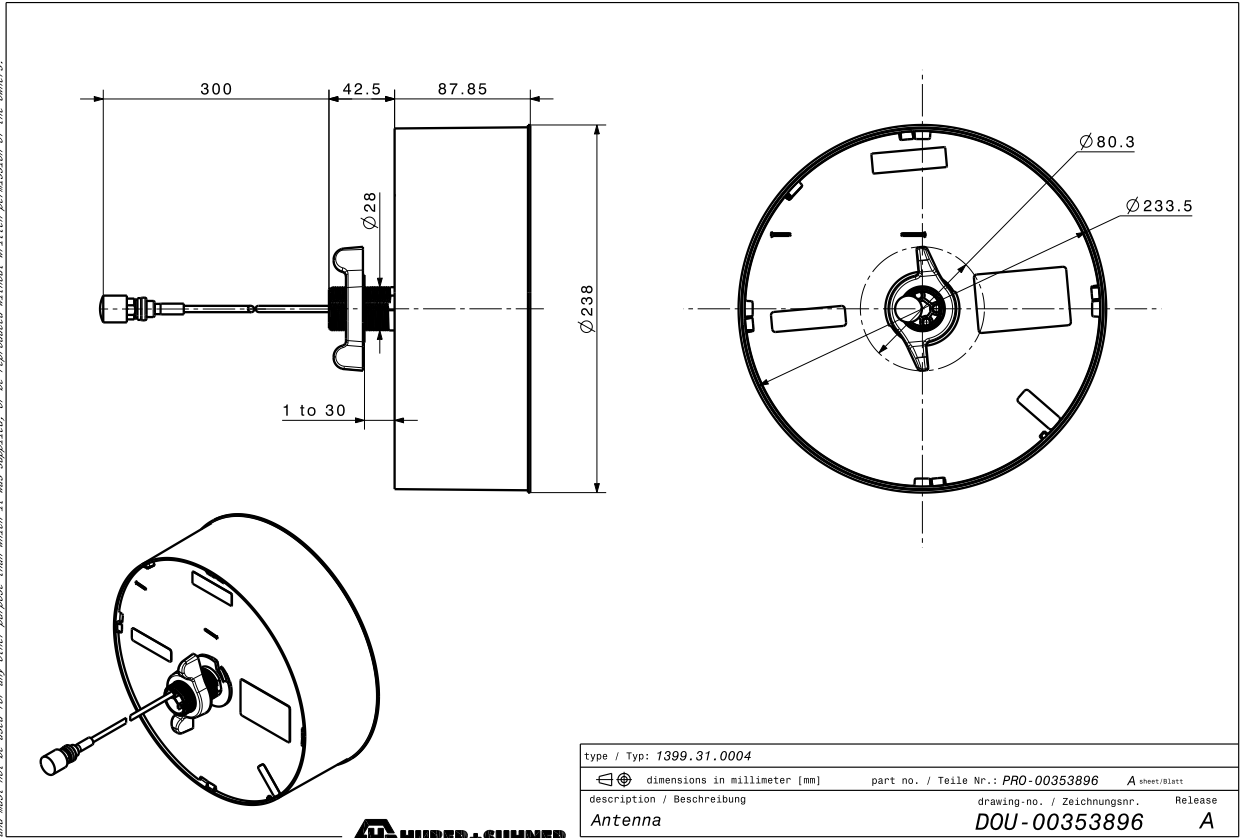
Interface and material data	
Radome material	PC (Polycarbonate)
Radome colour	White
Back plate/base plate material	PCB_1

Environmental data	
Operation temperature	0 °C ... 55 °C
Storage temperature	-55 °C ... 85 °C
Transport temperature	-55 °C ... 85 °C
Environment (application)	Indoor
Flammability rating	UL 94-V0
Solar radiation	UL 746C, F1

Additional Information	
Radiator grounded for remote connectivity surveillance	

SENCITY® Rondo SISO Antenna
1399.31.0004

Outline drawing



Diese Zeichnung ist unser geistiges Eigentum und darf ohne unsere Einwilligung weder kopiert, reproduziert, noch Dritten weitergegeben oder in irgendeiner Weise veröffentlicht gemacht werden. This drawing is our intellectual property and may not be used for any other purpose than which it was supplied, or be reproduced without written permission of the company.



HUBER+SUHNER is certified by ISO 9001, ISO 14001, ISO 45001, IATF 16949, AS/EN 9100 and ISO/TS 22163-IRIS. Waiver: Facts and figures herein are for information only and do not represent any warranty of any kind. DOCUMENT PIM-P3237 / Date of publication: 11.12.2023 / uncontrolled copy