

Installation Instructions for the AML 76 Switch Guard

ISSUE 2

PK 85220

NOTICE

The AML 76 Switch Guard is to be used for individual hole mount pushbuttons only. It may not be matrix mounted (see Figure 1).

INSTALLATION INSTRUCTIONS

For pushbuttons not already mounted in a panel:

1. Ensure proper orientation of the switch guard before installation on the switch.
2. While depressing the switch pushbutton, slide the switch guard over the switch bezel until it snaps into place.
3. When mounting the switch in a panel, keep the switch guard cover open and push on the switch housing.

CAUTION

Do not mount the switch in the panel by pushing on a closed switch guard cover, the cover may break.

For pushbuttons already mounted in a panel:

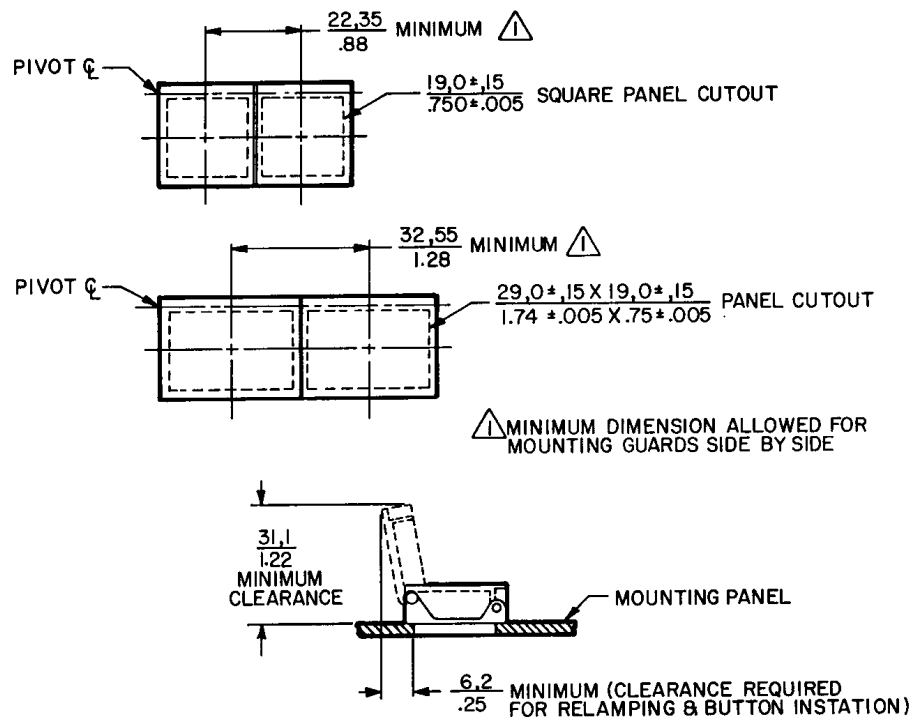
1. Ensure proper orientation of the switch guard before installation on the switch.
2. Loosen the switch in the panel by pressing on the switch housing mounting clips behind the panel.
3. Work the switch out sufficiently to allow room to slip on the switch guard (about 1/16 inch). There must be sufficient slack in the switch wiring to lift it slightly out of the panel.

CAUTION

Do not pull the switch out too far, the wiring may become dislodged.

4. While depressing the switch pushbutton, slide the switch guard over the switch bezel until it snaps into place.

Figure 1: Panel cutouts for AML 76 switch guard.



5. Replace the switch in the panel by keeping the switch guard cover open and pushing on the switch housing.

CAUTION

Do not mount the switch in the panel by pushing on a closed switch guard cover, the cover may break.

WIRE LOCK DOWN

A wire lock down, using .020 diameter locking wire, may be used for additional protection:

1. Pass the locking wire through the hole provided on the switch guard cover and bracket. Twist to secure.

WARRANTY/REMEDY

Honeywell warrants goods of its manufacture as being free of defective materials and faulty workmanship. Commencing with date of shipment, Honeywell's warranty runs for 18 months. If warranted goods are returned to Honeywell during that period of coverage, Honeywell will repair or replace without charge those items it finds defective. The foregoing is Buyer's sole remedy and is **in lieu of all other warranties, expressed or implied, including those of merchantability and fitness for a particular purpose.**

For application assistance, current specifications, pricing or name of the nearest Authorized Distributor, contact a nearby sales office. Or call:

1-800-537-6945 USA

1-416-293-8111 Canada

1-815-235-6847 International

INTERNET

<http://www.honeywell.sensing.com>

info@micro.honeywell.com

Honeywell

Helping You Control Your World

MICRO SWITCH
Honeywell Inc.
11 West Spring Street
Freeport, Illinois 61032



Printed with Soy Ink
on 50% Recycled Paper