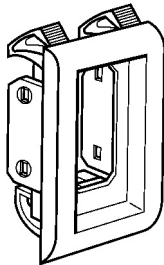


## Supports and isolating boxes for thin walls

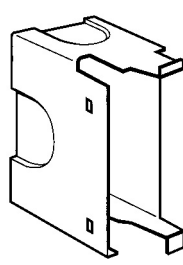
Cat. No(s) : 748 49/50/51/52/53 - 800 10/11 - 802 90/91/92



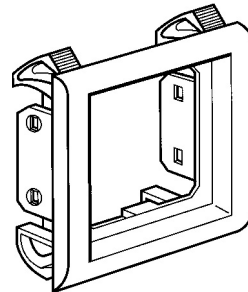
748 49 - 802 92



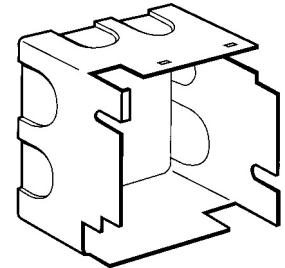
748 50 - 802 90



748 51 - 800 10



748 52 - 802 91



748 53 - 800 11

### 1. USE

Using to mount Mosaic modules on the walls.

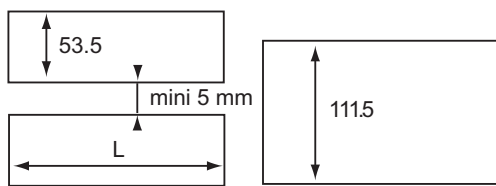
### 2. RANGE

- 748 49 - 802 92** : 2 x 1-module support
  - 748 50 - 802 90** : 1 module support
  - 748 51** : isolating box for support Cat. No. 748 50
  - 748 52 - 802 91** : 2-modules support
  - 748 53** : isolating box for support Cat. No. 748 52
  - 800 10** : isolating box for support Cat. No. 802 90 (one box) and 802 92 (two boxes)
  - 800 11** : isolating box for support Cat. No. 802 92
- Supplied in packs of 10.

### 3. INSTALLATION AND WIRING

**Supports** are clipped directly onto thin walls 1 to 3 mm thick.  
**Isolating boxes** are clipped onto supports Cat. Nos. 748 49/50/52  
Cat. Nos. 802 90/91/92.

**Cutouts necessary** : 748 49 : 28 x 111.5 mm  
748 50 : 28 x 53.5 mm  
748 52 : 58.5 x 53.5 mm



#### • Determination of the cutout width (W)

		748 52 - 802 91 → Number of modules <input type="checkbox"/> <input type="checkbox"/> <input type="checkbox"/> <input type="checkbox"/> <input type="checkbox"/> <input type="checkbox"/>					
		0	1	2	3	4	5
Number of modules ↓	0		58.5	119	180	240.5	301.5
	1	28	88.5	149.5	210.5	271	332
	2	58.5	119	180	240.5	301.5	362.5
	3	88.5	149.5	210.5	271	332	392.5
	4	119	180	240.5	301.5	362.5	423
	5	149.5	210.5	271	332	392.5	453.5

		748 50 - 802 92				
		1	2	3	4	5
Number of modules ↓	<input type="checkbox"/> <input type="checkbox"/> <input type="checkbox"/> <input type="checkbox"/> <input type="checkbox"/>	28	58.5	88.5	119	149.5

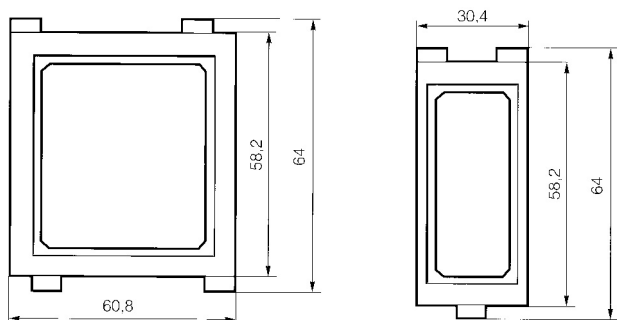
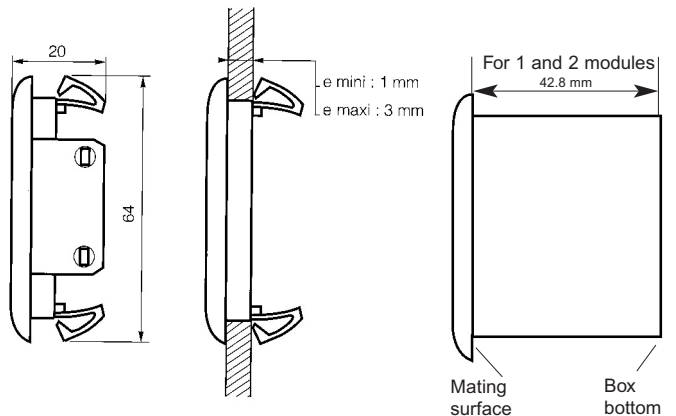
### 3. INSTALLATION AND WIRING (continued)

#### • Min. cutout depending on wall thickness

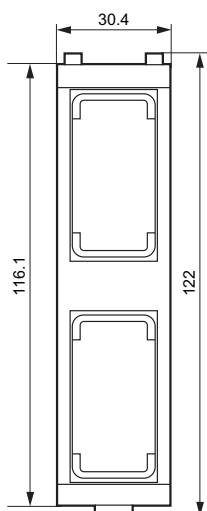
	1 mm wall	3 mm wall
748 49 - 802 92	27.7 x 111.2	27.9 x 111.4
748 50 - 802 90	27.7 x 53.5	27.9 x 53.5
748 52 - 802 91	58.1 x 53.2	58.3 x 53.4



### 4. DIMENSIONS



## 4. DIMENSIONS (continued)



## 5. GENERAL CHARACTERISTICS

### 5.1 Mechanical characteristics

**Shock resistance :** 748 49/50/51/52/53 : IK 4  
802 90/91/92 - 800 10/11 : IK 4

**Weight :** 748 49 - 802 92 : 14 g  
748 50 - 802 90 : 7.8 g  
748 51 - 800 10 : 8,2 g  
748 52 - 802 91 : 14.7 g  
748 53 - 800 11 : 12.5 g

**Materials :** 748 49/50/52 - 802 90/91/92 : polybutylene terephthalate  
748 51/53 - 800 10/11 : polystyrene

**Colour :** 748 49/50/52 : white RAL 9010  
748 51/53 - 800 10/11 : grey RAL 7035  
802 90/91/92 : white RAL 9003

### 5.2 Electrical characteristics

#### Self-extinguishing :

748 49/50/51/52/53 : 850° C / 30 s  
802 90/91/92 - 800 10/11 : 850° C / 30 s

### 5.3 Environmental characteristics

Storage temperature : - 10° C to + 70° C  
Operating temperature : - 5° C to + 40° C