

IEC Appliance Inlet C8, Snap-in Mounting, Front Side, Solder, PCB or Quick-connect Terminal



Snap-In Version



Description

- Panel Mount:
Snap-in version, Front Side
- 1 Function
- Appliance Inlet, Pin temperature 70 °C, Protection class II
- Solder, Quick Connect or PCB Terminal

Approvals

- VDE Certificate Number: 40002274
- UL File Number: E96454

Characteristics

- Contact pins are turned from solid material

Other versions on request

- Variants in white color

References

- Alternative: version for screw mounting [2576](#)
- Alternative: version with line filter [5008](#)
- Alternative: Inlet with retainer and country specific cord set [2578 retaining kit](#)

Weblinks

[pdf-datasheet](#), [html-datasheet](#), [General Product Information](#), [Approvals](#), [CE declaration of conformity](#), [RoHS](#), [CHINA-RoHS](#), [REACH](#), [Mating Connectors](#), [e-Shop](#), [SCHURTER-Stock-Check](#), [Distributor-Stock-Check](#), [CAD-Drawings](#), [Accessories](#), [Detailed request for product](#)

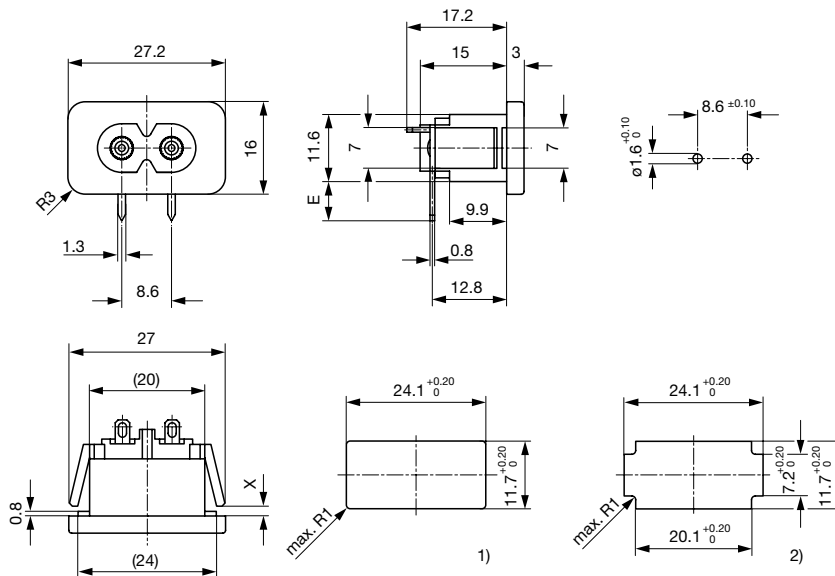
Technical Data

Ratings IEC	2.5 A / 250 VAC; 50 Hz
Ratings UL/CSA	7 A / 250 VAC; 60 Hz
Dielectric Strength	> 3 kVAC between L-N > 1.5 kVAC between L/N-PE (1 min/50 Hz)
Allowable Operation Temp.	-25 °C to 70 °C
Degree of Protection	from front side IP 20 acc. to IEC 60529
Protection Class	Suitable for appliances with protection class II acc. to IEC 61140
Panel Thickness s	Snap-in version 1.5/2/2.5/3 mm
Material: Housing	PA6, black or grey, UL 94V-0

Appliance Inlet	C8 acc. to IEC 60320 UL 498, CSA C22.2 no. 42 (for cold conditions) pin-temperature 70 °C, 2.5 A, Protection Class II
-----------------	--

Dimensions

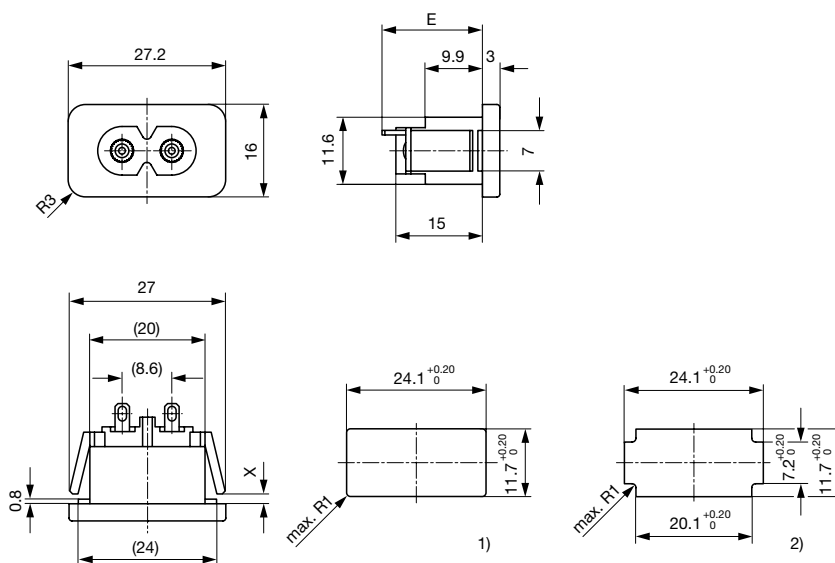
PCB terminal with additional solder terminal in orientation A (horizontal)



- E = PCB terminal standard (additional solder): 6.8 mm
- E = PCB terminal short (additional solder): 0.7 mm
- E = PCB terminal long (additional solder): 15.8 mm
- E = PCB terminal standard: 6.5 mm
- E = PCB terminal short: 5.0 mm
- E = PCB terminal long: 7.6 mm

- 1) Panel cut-out for panel thickness 1.5 / 2.0 / 2.5 / 3.0 mm
- 2) Panel cut-out for panel thickness 1.0 mm

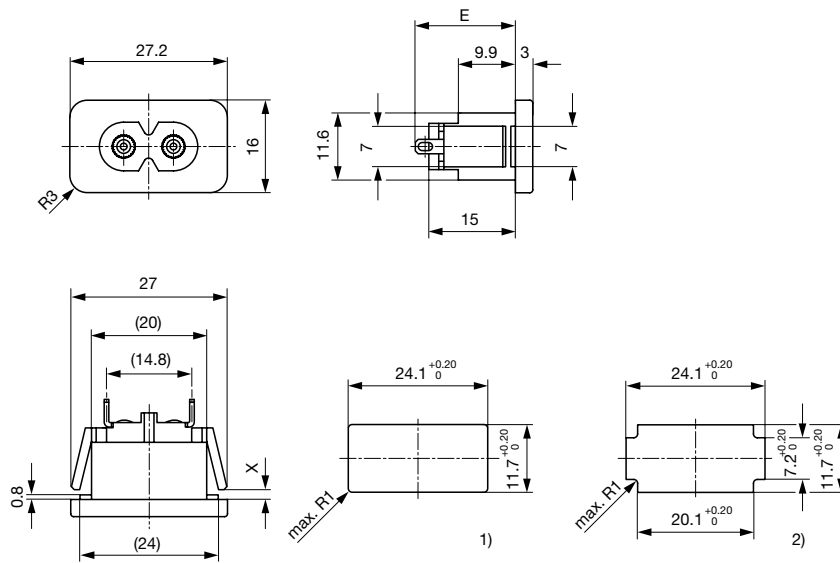
Quick connect or solder terminal in orientation A (horizontal)



- E = Solder terminal short: 17.3 mm
- E = Solder terminal long: 21.0 mm
- E = Quick-connect terminal 2.8x0.8 mm: 23.3 mm

- 1) Panel cut-out for panel thickness 1.5 / 2.0 / 2.5 / 3.0 mm
- 2) Panel cut-out for panel thickness 1.0 mm

Quick connect or solder terminal in orientation B (vertical)



- E = Solder terminal short: 17.3 mm
- E = Solder terminal long: 21.0 mm
- E = Quick-connect terminal 2.8x0.8 mm: 23.3 mm
- E = Quick-connect terminal 4.8x0.8 mm: 21.8 mm
- E = Quick-connect terminal 6.3x0.8 mm: 22.8 mm

- 1) Panel cut-out for panel thickness 1.5 / 2.0 / 2.5 / 3.0 mm
- 2) Panel cut-out for panel thickness 1.0 mm

Config. Code

2578 - H - A B C 0 - D - E G F

The characters are placeholders for the correspondingly keys of selections from the key tables.

2578 - H - A B C 0 - D - E G F = Type



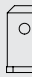
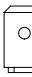



Type	Configuration key
protection class II	X

2578 - H - A B C 0 - D - E G F = Terminals

Terminal L	Configuration key
short solder terminal (L = 4.8 mm)	2
long solder terminal (L = 8.5 mm)	3
PCB-terminal standard (additional solder terminal)	4
PCB-terminal short (additional solder terminal)	5

Terminal L

Configuration key

PCB-terminal long (additional solder terminal)		6
Blade terminal (2.8 x 0.8 mm)		7
Blade terminal (4.8 x 0.8 mm)		8
Blade terminal (6.3 x 0.8 mm)		9
PCB-terminal (standard)		A
PCB-terminal (short)		B
PCB-terminal (long)		C

2578 - H - A B C 0 - D - E G F = Terminals

Terminal N	Configuration key
short solder terminal (L = 4.8 mm)	2
long solder terminal (L = 8.5 mm)	3
PCB-terminal standard (additional solder terminal)	4
PCB-terminal short (additional solder terminal)	5
PCB-terminal long (additional solder terminal)	6
Blade terminal (2.8 x 0.8 mm)	7
Blade terminal (4.8 x 0.8 mm)	8
Blade terminal (6.3 x 0.8 mm)	9
PCB-terminal (standard)	A
PCB-terminal (short)	B
PCB-terminal (long)	C

Symbols similar as in table A

2578 - H - A B C 0 - D - E G F = Terminals

Terminal Ground	Configuration key
without terminal	0

Symbols similar as in table A

2578 - H - A B C 0 - D - E G F = Color

Color	Configuration key
Black	A
Grey	B

2578 - H - A B C 0 - D - E G F = Style

Style	Configuration key
snap-in (s=panel thickness)	4

2578 - H - A B C 0 - D - E G F = Mass S

Mass "s"	Configuration key
15	
20	
25	
30	

The dimension "S" is displayed in ($1/_{10}$ mm). This information is also valid for the order code

2578 - H - A B C 0 - D - E G F = Orientation of Terminals

Orientation of Terminals	Configuration key
horizontal	A
vertical	B

All Variants

Config. Code	Description	Order Number
2578-X-2200-A-415B	2578, IEC Appliance Inlet C8, 70°C, , version: II, L: short solder terminal (L = 4.8 mm), N: short solder terminal (L = 4.8 mm), ground: without terminal, color: Black, design: snap-in (s=panel thickness), dimension S:	6160.0029
2578-X-3300-A-420B	2578, IEC Appliance Inlet C8, 70°C, , version: II, L: long solder terminal (L = 8.5 mm), N: long solder terminal (L = 8.5 mm), ground: without terminal, color: Black, design: snap-in (s=panel thickness), dimension S:	6160.0031
2578-X-9900-A-415B	2578, IEC Appliance Inlet C8, 70°C, , version: II, L: Blade terminal (6.3 x 0.8 mm), N: Blade terminal (6.3 x 0.8 mm), ground: without terminal, color: Black, design: snap-in (s=panel thickness), dimension S:	6160.0032
2578-X-2200-A-425B	2578, IEC Appliance Inlet C8, 70°C, , version: II, L: short solder terminal (L = 4.8 mm), N: short solder terminal (L = 4.8 mm), ground: without terminal, color: Black, design: snap-in (s=panel thickness), dimension S:	6160.0036
2578-X-9900-A-420B	2578, IEC Appliance Inlet C8, 70°C, , version: II, L: Blade terminal (6.3 x 0.8 mm), N: Blade terminal (6.3 x 0.8 mm), ground: without terminal, color: Black, design: snap-in (s=panel thickness), dimension S:	6160.0069
2578-X-2200-A-420B	2578, IEC Appliance Inlet C8, 70°C, , version: II, L: short solder terminal (L = 4.8 mm), N: short solder terminal (L = 4.8 mm), ground: without terminal, color: Black, design: snap-in (s=panel thickness), dimension S:	6160.0071
2578-X-9900-A-425B	2578, IEC Appliance Inlet C8, 70°C, , version: II, L: Blade terminal (6.3 x 0.8 mm), N: Blade terminal (6.3 x 0.8 mm), ground: without terminal, color: Black, design: snap-in (s=panel thickness), dimension S:	6160.0074
2578-X-7700-A-415B	2578, IEC Appliance Inlet C8, 70°C, , version: II, L: Blade terminal (2.8 x 0.8 mm), N: Blade terminal (2.8 x 0.8 mm), ground: without terminal, color: Black, design: snap-in (s=panel thickness), dimension S:	6163.0016

The listed variants should be available from stock Other versions on request www.schurter.com/contact

Most Popular.

Availability for all products can be searched real-time: <http://www.schurter.com/en/Stock-Check/Stock-Check-SCHURTER>

Packaging unit 100 Pcs

Accessories

Description



[Retainer](#)
Retainer for power supply cord

Mating Outlets/Connectors

Category / Description



[Power Cord Overview complete](#)

EU Power Cord with IEC Connector C7, Straight	6013.0474
---	-----------

EU Power Cord with IEC Connector C7, Straight	6013.0478
---	-----------

[Power Cord further types to 2578](#)



[Power Supply Cord Overview complete](#)

US Power Supply Cord with C7 Plug, Straight	6010.5274
---	-----------

US Power Supply Cord with C7 Plug, Straight	6010.5278
---	-----------

[Power Supply Cord further types to 2578](#)