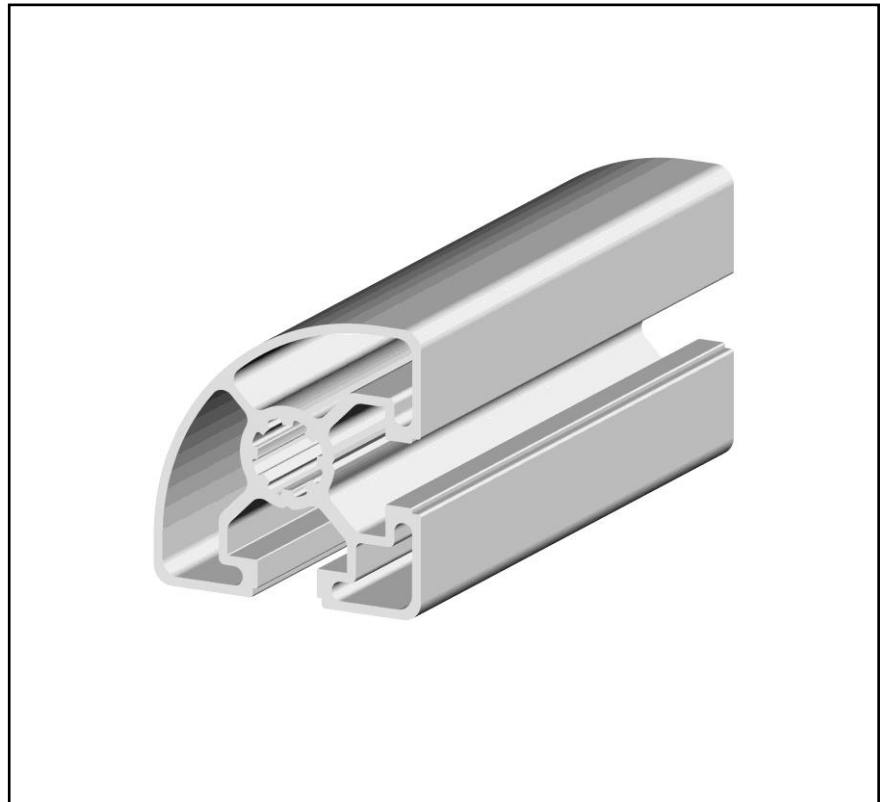


Features

- Light-weight aluminium alloy
- Suitable for cut to length application
- Structural element type: Strut Profile
- Compatible with support and connector accessories

RS PRO Strut Profile Type B, R45-90 deg. Light, 10 mm Groove, 2000 mm Length

RS Stock No.: 0766825



RS Professionally Approved Products bring to you professional quality parts across all product categories. Our product range has been tested by engineers and provides a comparable quality to the leading brands without having a premium price.

Product Description

RS PRO aluminum profiles offer a modular solution for building structures, frameworks and workstations. Many components and connectors allow you to choose from a wide range of applications. The modular system includes different profile types and lengths of 1 m, 2 m and 3 m with different cross-sections and groove-sizes in grid dimensions from 20 mm to 90 mm.

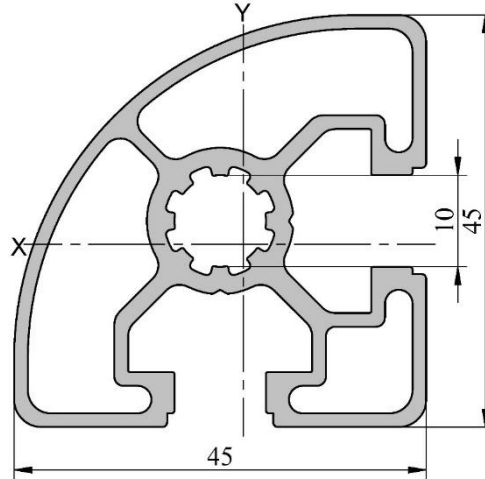
General Specifications

Structural Element Type	Strut Profile / Aluminium Profile
Number of Grooves	2
Material	Aluminium anodized
Colour	Silver
Product System	Construction, Workstations, Industrial equipment, Automotive manufacturing

Mechanical Specifications

Strut Profile	R40 / 90°
Length	2000 mm
Groove Size	10 mm
Mass (G)	1.27 kg/m
Moment of Inertia (Ix, Iy)	8.01 cm ⁴
Section Modulus (Wx, Wy)	3.2 cm ³

Dimetional Drawing



Similar Products

Parameters	264-7845	264-7846	264-7848	264-7850
Brand	RS PRO	RS PRO	RS PRO	RS PRO
Structural Element Type	Strut Profile / Aluminium Profile	Strut Profile / Aluminium Profile	Strut Profile / Aluminium Profile	Strut Profile / Aluminium Profile
Number of Grooves	4	2	6	6
Material	Aluminium, anodized	Aluminium, anodized	Aluminium, anodized	Aluminium, anodized
Colour	silver	silver	silver	silver
Product System	Construction, Workstations, Industrial equipment, Automotive manufacturing	Construction, Workstations, Industrial equipment, Automotive manufacturing	Construction, Workstations, Industrial equipment, Automotive manufacturing	Construction, Workstations, Industrial equipment, Automotive manufacturing
Strut Profile	45 x 45 mm	45 x 45 mm	45 x 90 mm	45 x 90
Length	3000 mm	3000 mm	1000 mm	3000 mm
Groove Size	10	10	10	10
Mass (G)	1.55 kg/m	1.64 kg/m	3.05 kg/m	3.05 kg/m
Moment of Inertia (I _x , I _y)	11 cm ⁴	11.82 cm ⁴	81.82 cm ⁴ 23.53 cm ⁴	81.82 cm ⁴ 23.53 cm ⁴
Section Modulus (W _x , W _y)	4.89 cm ³	5.11 cm ³	18.18 cm ³ 10.46 cm ³	18.18 cm ³ 10.46 cm ³