



Brand of NTN Group

## Technical data

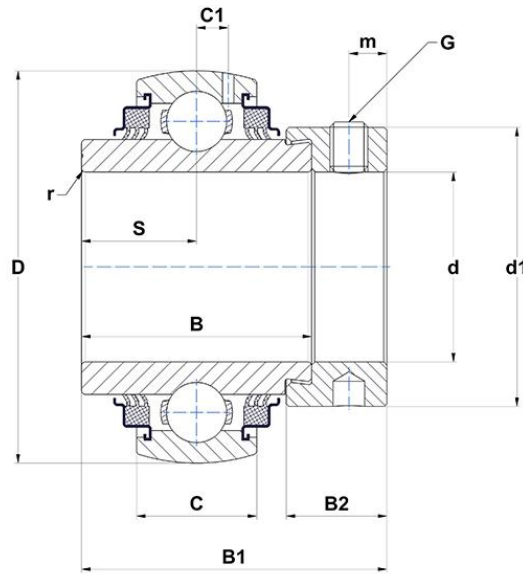
### EX210G2L3

Insert bearings



Spherical outer diameter, fixing by eccentric locking collar, triple lip seal

#### VISUAL (S)



#### PRODUCT DEFINITION

<b>Brand</b>	SNR
<b>B - Width of Inner Ring</b>	49,2 mm
<b>B1 - Overall width Inner Ring</b>	62,7 mm
<b>B2 - Width of eccentric locking collar/nut</b>	18,3 mm
<b>C - Width of Outer Ring</b>	23 mm
<b>C1 - Distance center of OR to center of lubrication zone</b>	6,5 mm
<b>d - Shaft diameter</b>	50 mm
<b>d1 - Outer dia of eccent. Lock. collar / nut of adapter sleeve</b>	67,2 mm



**NTN Europe**

1 rue des Usines · BP 2017 · 74010 Annecy Cedex · France · Tel. +33 (0)4 50 65 30 00  
 S.A. au capital de 322 639 919 € · RCS ANNECY B 325 821 072 · Id. Fiscale : FR 48 325 821 072  
 SIRET 325 821 072 00015 · Code APE 2815 Z · Code NACE 28.15

### PRODUCT DEFINITION

<b>D - Outer diameter of OR</b>	90 mm
<b>G - Set screw size</b>	M8x1
<b>m - Distance to set screw</b>	6,5 mm
<b>r - Radius Inner Ring</b>	1.1
<b>S - Distance front side/bearing centre</b>	24,6 mm
<b>f0 - Factor</b>	14.4
<b>SW - Wrench size</b>	4 mm

### PRODUCT PERFORMANCE

<b>C - Dynamic load rating</b>	35100000 mN
<b>C0 - Static load rating</b>	23200000 mN
<b>Operating temperature min.</b>	253,15 °K
<b>Operating temperature max.</b>	373,15 °K

### OTHER FEATURES

<b>Mass</b>	1,01 kg
<b>Recommended tightening torque for set screw</b>	11.5 N-m

### BEARING FREQUENCIES

<b>BPFO - Over rolling frequency on outer ring (60 rpm)</b>	4.09285714285714 Hz
<b>BPFI - Over rolling frequency on inner (60 rpm)</b>	5.90714285714286 Hz
<b>BSF - Over rolling frequency on rolling element (60 rpm)</b>	5.33038245219348 Hz
<b>BRF - Rotational frequency - rolling element (60 rpm)</b>	2.66519122609674 Hz
<b>FTF - Rotational frequency - cage (60 rpm)</b>	0.409285714285714 Hz

