

## Mod. G7540 - Fittings Series 7000 - Automation

Product code: G7540 12-12-10

Datasheet creation date: 12/12/2025 08:34

Check the most updated document online [click here](#)

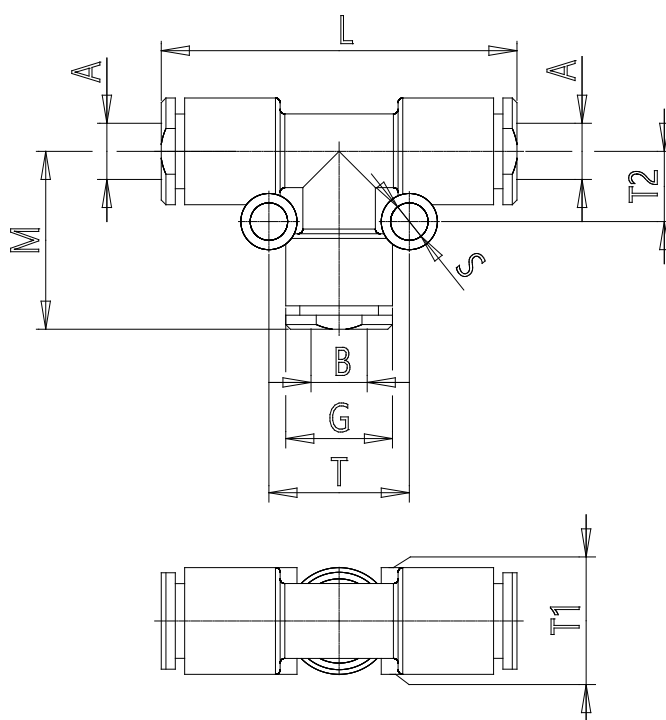


### ■ TECHNICAL DATA

Mod.	G7540 12-12-10
------	----------------

## Mod. G7540 - Fittings Series 7000 - Automation

Product code: G7540 12-12-10



### DIMENSIONS

<b>A (mm)</b>	12
<b>B (mm)</b>	10
<b>G (mm)</b>	20.0
<b>L (mm)</b>	62
<b>M (mm)</b>	31.0
<b>S (mm)</b>	4
<b>T (mm)</b>	19.2
<b>T1 (mm)</b>	20.0
<b>T2 (mm)</b>	9.6
<b>Weight (g)</b>	31