

# Datasheet - AZ 3350-12ZUEK-U90

Safety switch with separate actuator / AZ 3350



- Metal enclosure
- Latching handle
- Long life
- 40,5 mm x 114 mm x 38 mm
- High level of contact reliability with low voltages and currents
- 1 Cable entry M 20 x 1.5
- Actuating head rotated by 90°

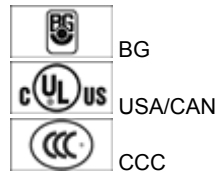
(Minor differences between the printed image and the original product may exist!)

## Ordering details

Product type description	AZ 3350-12ZUEK-U90
Article number	1174757
EAN code	4030661304243
To order, first choose the desired safety switch and then the door handle system	

## Approval

Approval



## Classification

Standards	EN ISO 13849-1
B <sub>10d</sub> Opener (NC)	2.000.000
B <sub>10d</sub> Normally open contact (NO)	1.000.000
- notice	at 10% I <sub>e</sub> and ohmic load
Mission time	20 Years
notice	

$$MTTF_d = \frac{B_{10d}}{0,1 \times n_{op}}$$

$$n_{op} = \frac{d_{op} \times h_{op} \times 3600 \text{ s/h}}{t_{cycle}}$$

## Global Properties

---

Product name	AZ 3350
Standards	EN 60947-5-1, BG-GS-ET-15, EN 1088
Materials	
- Material of the housings	Aluminium
- Material of the contacts	Silver
Housing coating	painted
Weight	230 g
Recommended combinations	AZ 3350-ST30-02, AZ 3350-ST30-04, AZ 3350-ST30-05, AZ 3350-ST30-07

## Mechanical data

---

Design of electrical connection	Screw connection
Cable section	
- Min. Cable section	0,75 mm <sup>2</sup>
- Max. Cable section	2.5 mm <sup>2</sup>
Mechanical life	1.000.000 operations
higher Latching force (Y/N)	No
Shearing force	15.000 N
Positive break force	5 N for each NC contact fitted
positive break travel	10.7 mm
Door hinge	left
notice	All indications about the cable section are including the conductor ferrules.

## Ambient conditions

---

Ambient temperature	
- Min. environmental temperature	-30 °C
- Max. environmental temperature	+90 °C
Protection class	IP67 to IEC/EN 60529

## Electrical data

---

Design of control element	Normally open contact (NO), Opener (NC)
Switching principle	Slow action with overlapping contacts
Number of auxiliary contacts	1 piece
Number of safety contacts	2 piece
Rated impulse withstand voltage $U_{imp}$	4 kV
Rated insulation voltage $U_i$	250 V
Thermal test current $I_{the}$	10 A
Utilisation category	AC-15: 230 V / 4 A, DC-13: 24 V / 4 A
Max. fuse rating	6 A gG D-fuse

## ATEX

Explosion protection categories for gases	None
Explosion protected category for dusts	None

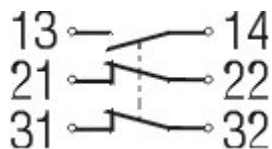
## Dimensions

Dimensions of the sensor	
- Width of sensor	40.5 mm
- Height of sensor	114 mm
- Length of sensor	38 mm

## Included in delivery

Mounting plate for safety switch  
 Actuator incl. mounting plate  
 emergency handle

## Diagram



Note Diagram

positive break NC contact

active

no active

Normally-open contact

Normally-closed contact

## Ordering suffix

The applicable ordering suffix is added at the end of the part number of the safety switch.  
 Order example: AZ 3350-12ZUEK-U90-**1637**

...-**1637**

0,3 µm gold-plated contacts

## Ordering code

AZ 3350-(1)-(2)-(3)

(1)

**03ZK** 3 Opener (NC)

**12ZUEK** 1 Normally open contact (NO) / 2 Opener (NC)

(2)

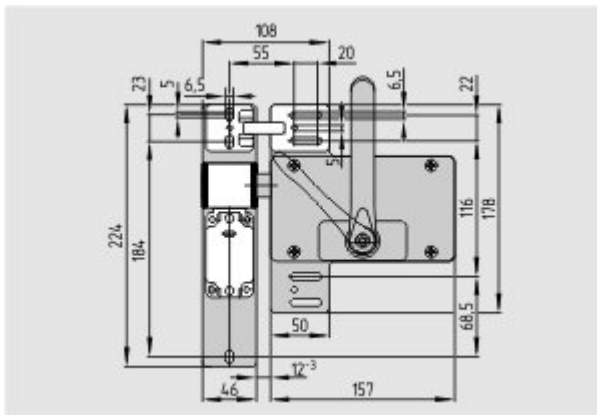
**1637** gold-plated contacts

(3)

**U90** Actuating head rotated by 90° for Door hinge left

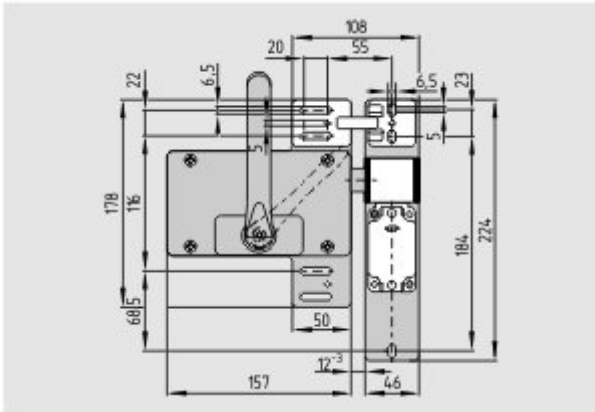
**U270** Actuating head rotated by 270° for Door hinge right

---

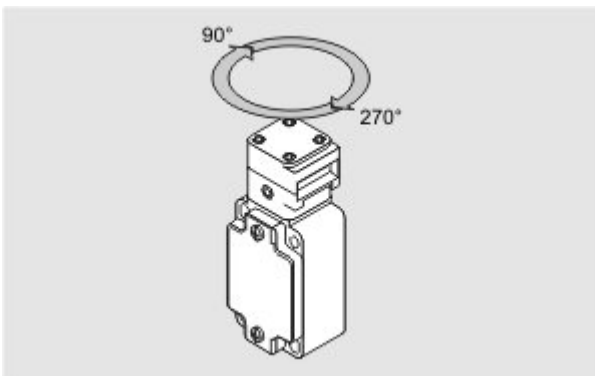


Dimensional drawing (miscellaneous)

---



Dimensional drawing (miscellaneous)



Application

## System components

### Door-handle system



#### AZ 3350-STS30

- Latching handle

### Accessories



#### Lockout tag SZ 415

- Suitable for mounting inside and outside of the hazardous area
- To prevent inadvertent closing, e.g. during maintenance
- For complex plant
- Prevents actuation of the switch
- Lockout tag with 3 circular holes

#### Centring device

- Pre-positioning



- The actuator is independent from the centring device.
- Smooth insertion or retraction of the actuator

---

K.A. Schmersal GmbH, Möddinghofe 30, D-42279 Wuppertal  
The data and values have been checked thoroughly. Technical modifications and errors excepted.  
Generiert am 10.10.2011 - 12:09:05h Kasbase 1.5.5 DBI