

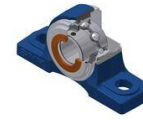


Brand of NTN Group

Technical data

UCP212CC

Bearing units

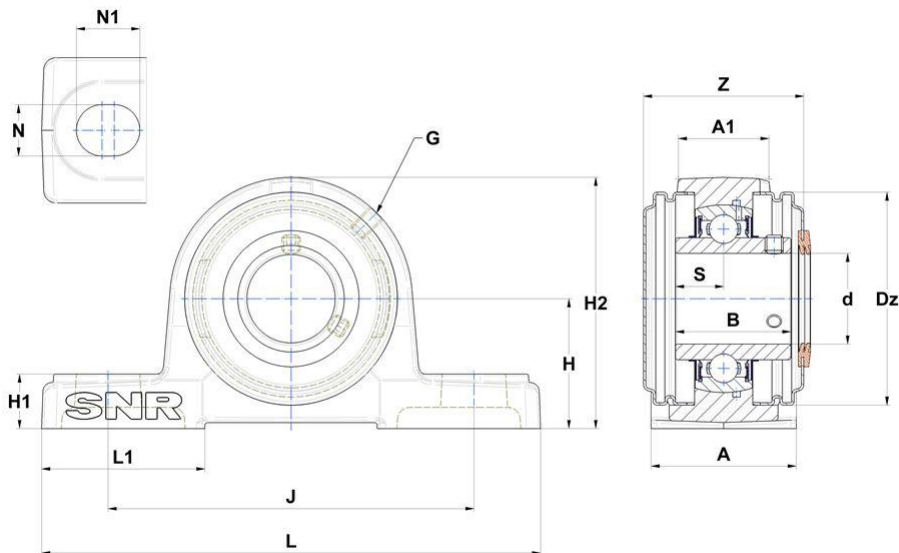


Grey cast housing, radial insert ball bearing with socket set screws, seal with slinger

KIT CONTENT

UC212G2, SCC212, SCO212-60, P212N

VISUAL (S)



PRODUCT DEFINITION

| | |
|-------------------------------------|---------|
| Brand | SNR |
| A - Housing width | 70 mm |
| A1 - Housing top width | 44 mm |
| B - Width of Inner Ring | 65,1 mm |
| d - Shaft diameter | 60 mm |
| Dz - Outer diameter of cover | 120 mm |



NTN Europe

1 rue des Usines · BP 2017 · 74010 Annecy Cedex · France · Tel. +33 (0)4 50 65 30 00
 S.A. au capital de 322 639 919 € · RCS ANNECY B 325 821 072 · Id. Fiscale : FR 48 325 821 072
 SIRET 325 821 072 00015 · Code APE 2815 Z · Code NACE 28.15

PRODUCT DEFINITION

| | |
|--|---------|
| G - Grease fitting | M6x1 |
| H - Distance mounting base to centerline spheric. seating diam. | 69,8 mm |
| H1 - Housing foot height | 25 mm |
| H2 - Housing height | 138 mm |
| J - Mounting holes distance | 184 mm |
| L - Housing length | 241 mm |
| L1 - Housing foot length | 70 mm |
| N - Mounting hole dimension | 20 mm |
| N1 - Mounting hole length | 25 mm |
| S - Distance front side/bearing centre | 25,4 mm |
| Z - Width over covers | 90 mm |

PRODUCT PERFORMANCE

| | |
|-----------------------------------|-------------|
| C - Dynamic load rating | 52500000 mN |
| C0 - Static load rating | 32800000 mN |
| Operating temperature min. | 253,15 °K |
| Operating temperature max. | 373,15 °K |

OTHER FEATURES

| | |
|--|---------|
| Mass | 5,26 kg |
| Recommended tightening torque for set screw | 22 N-m |

