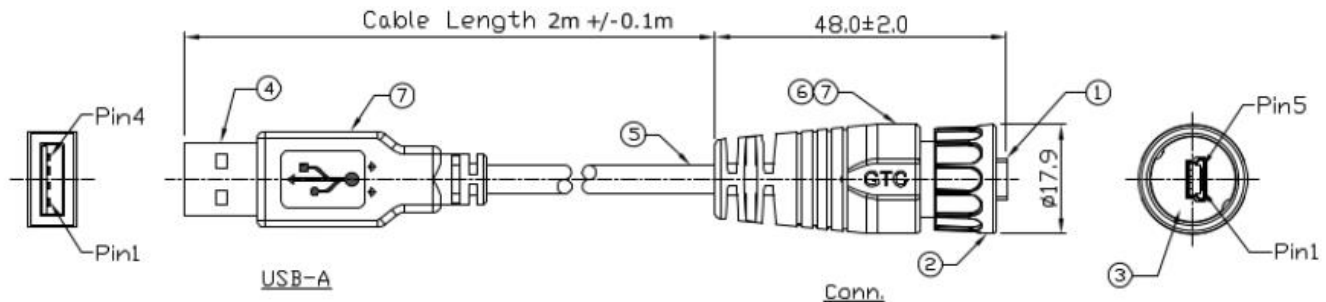




Notes: (Unless Otherwise Specified)
 1. Waterproof Rate: IP67.
 2. RoHS Compliance.

REV	ECN#	DESCRIPTION OF REVISION	DRAW BY DATE	CHECK BY DATE	APPROVE BY DATE
A0		Mass Production	Joyce 05/04/11	Lucas 05/04/11	Ray 05/04/11



Item	Part Name	Material / Finish	QTY
7	Over Mold	PVC Color: Black	2
6	Inner Mold	Thermal Plastic Color: Black	1
5	Cable	UL2725 1P#28AVG+20#24AVG+M/MY+D+B Color: Black, OD=5.0mm	1
4	USB-A Plug	Housing: Thermal Plastic, Color: Black Contacts: Copper Alloy, Finish: Au Plated Shell: Cold Roll Steel, Finish: Ni Plated	1
3	Rubber Pad	Silicone Color: Black	1
2	Lock Nut	Thermal Plastic Color: Black	1
1	Mini USB-B Plug	Housing: Thermal Plastic, Color: Black Contacts: Copper Alloy, Finish: Au Plated Shell: Cold Roll Steel, Finish: Ni Plated	1

Item	Color	Item
1	Red	1
2	White	2
3	Green	3
4	N/C	4
4	Black	5
Shell	Drain	Shell

Mating Parts:
 111-6755
 111-6756
 111-6757

Wiring Diagram

TITLE						REV.			
Mini USB-B Plastic C2 Cable End Plug Lock With USB-A Plug						A0			
THIRD ANGLE PROJECTION		B	1:1	Joyce 05/04/11	Lucas 05/04/11	Ray 05/04/11	XX ± 0.5 X,XX ± 0.2	X,XXX ± 0.05 ANGLES ± 1°	mm 1/1
		SIZE	SCALE	DRAW / DATE	CHECK / DATE	APPROVE / DATE	TOLERANCES		UNIT SHEET

RS Stock No
 122-3019