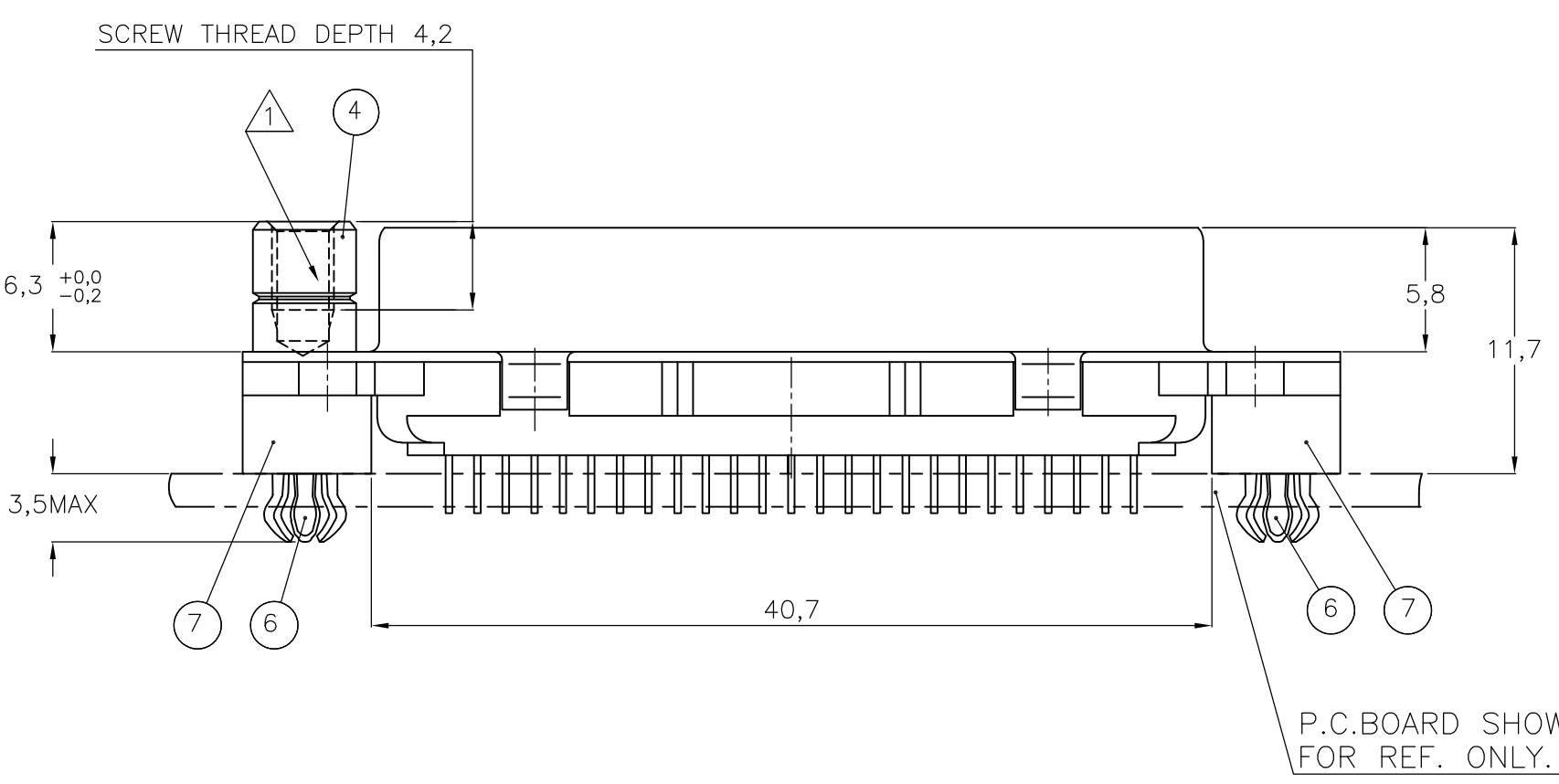
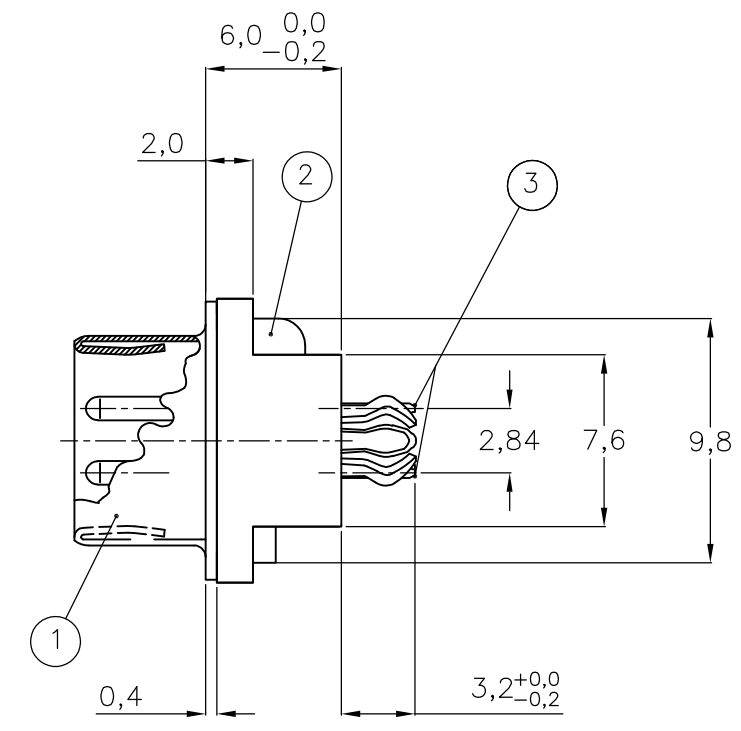
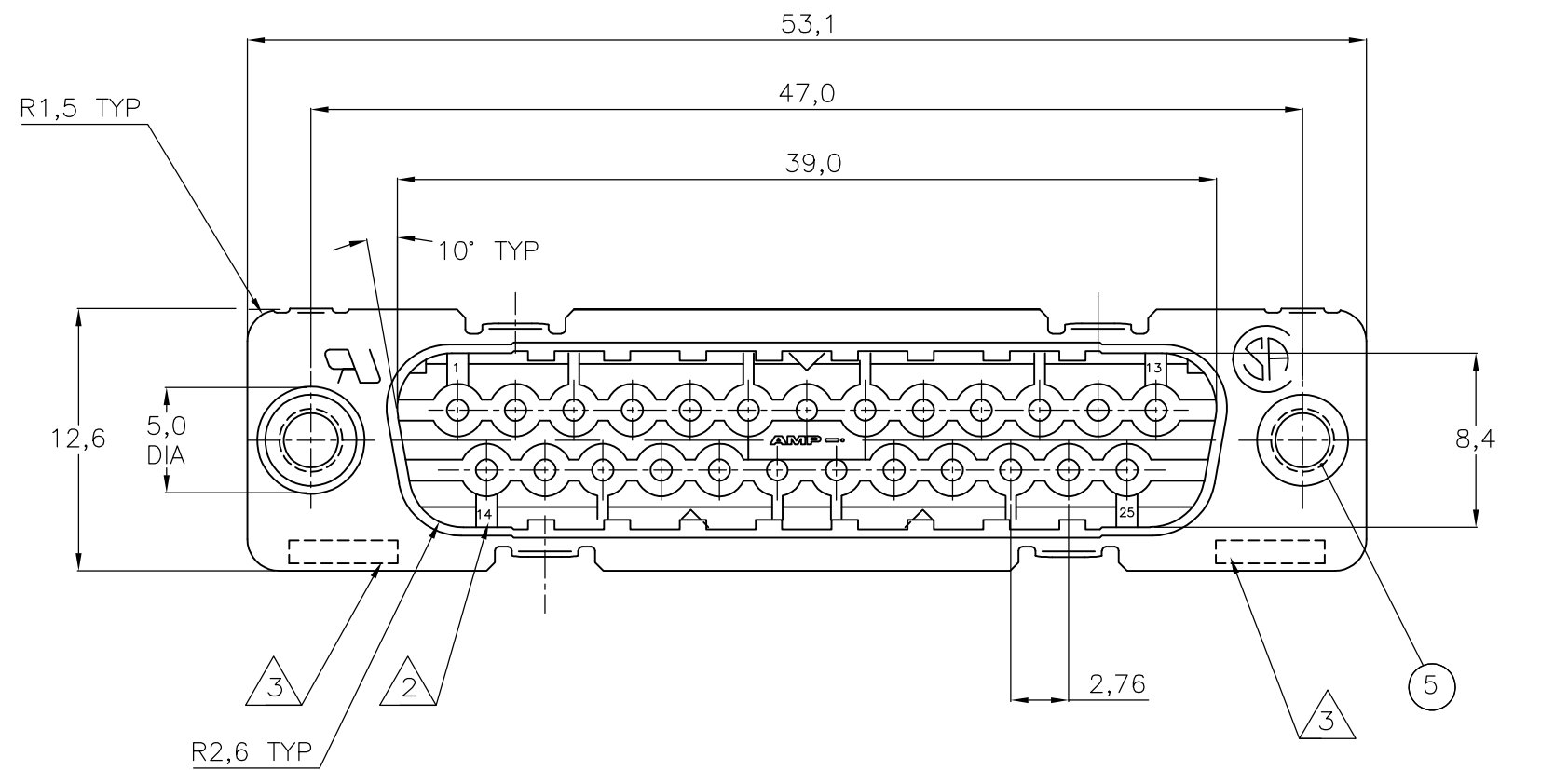


THIS DRAWING IS UNPUBLISHED. RELEASED FOR PUBLICATION
 © COPYRIGHT BY TYCO ELECTRONICS CORPORATION. ALL INTERNATIONAL RIGHTS RESERVED.

LOC	DIST	REVISIONS					
		P	LTR	DESCRIPTION	DATE	DWN	APVD
H	-		E	ECR-06-011911	22-05-06	BSV	DC
			F	ECR-06-016180	10-07-06	BSV	MK
			F1	ECR-08-018358	25-07-08	BSV	MK



ACCESSORIES PREFIX "Z"	ITEM NR.	DESCRIPTION OF ACCESSORY	1	2	3	4	5	6	7	8	9
5	BUSHING WITH THROUGH HOLE 3,1 DIA.										
5	BUSHING WITH THREAD 4-40 UNC		2								
5	BUSHING WITH THREAD M3			2							
4	FEMALE SCREWLOCK WITH THREAD 4-40 UNC				2						
4	FEMALE SCREWLOCK WITH THREAD M3					2					
6	BOARDLOCK		2	2	2	2					

HOW TO ORDER:

25 POS.-----> Z-338311-Y

PREFIX FOR ACCESSORIES

BASIC PARTNR.

SUFFIX FOR PLATING

1-XXXXX-Y
 2-XXXXX-Y
 3-XXXXX-Y
 4-XXXXX-Y
 5-XXXXX-Y
 6-XXXXX-Y
 7-XXXXX-Y
 8-XXXXX-Y
 9-XXXXX-Y

PLATING SUFFIX "Y"

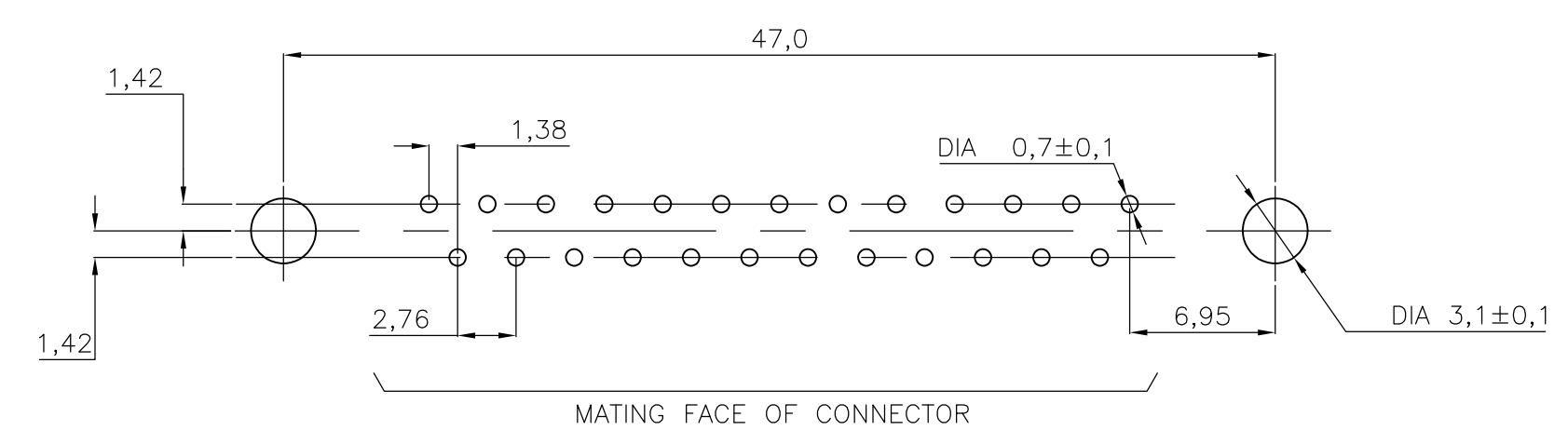
GOLD OVER NICKEL AS PER PERFORMANCE LEVEL 2 (DIN 41652)
 SOLDERPART: TIN-PLATING 3µm

-Y = -2

- ① GROOVE INDICATES VERSION WITH 4-40 UNC INNER THREAD; WITHOUT GROOVE INDICATES VERSION WITH M3 INNER THREAD.
- ② CAVITY IDENTIFICATION AT FRONT SIDE ONLY.
- ③ PARTNUMBER AND DATE CODE.
- 4 WHEN BOARDLOCKS ARE USED, CONNECTOR CAN BE USED FOR PCB THICKNESS OF 1,6 mm ONLY.
- 5 SHELL HAS 2x8 GROUNDING SPRINGS; PITCH IS 3,6 mm
- 6 AIR AND CREEPAGE DISTANCES ACCORDING TO DIN41652

- ITEM NRS./MATERIAL :
- ① SHELL : BRIGHT TINPLATED STEEL
 - ② HOUSING : GLASSFILLED POLYESTER, COLOR : BLACK
 - ③ CONTACTS : PHOSPHORBRONZE (PLATING : SEE TABLE ABOVE)
 - ④ FEMALE SCREWLOCK : TINPLATED STEEL (INNER THREAD 4-40 UNC OR M3)
 - ⑤ BUSHING : TINPLATED STEEL (INNER THREAD 4-40 UNC OR M3 OR 3,1 DIA. THROUGH HOLE)
 - ⑥ BOARDLOCK : TINPLATED PHOSPHORBRONZE
 - ⑦ STAND-OFF : ULTRAMID V0 COLOR : BLACK

RECOMMENDED P.C. BOARD HOLE-LAYOUT



THIS DRAWING IS A CONTROLLED DOCUMENT.		DWN	03JUL97	Tyco Electronics Corporation 's-Hertogenbosch, Nederland
DIMENSIONS: mm		CHK	J.v.LIEMPT	
TOLERANCES UNLESS OTHERWISE SPECIFIED:		APVD	C.SOUISA	NAME
0 PLC ± -		PRODUCT SPEC	E.LEIJTENS	
1 PLC ± -		APPLICATION SPEC	-	HDP-20 SIZE 3 VERTICAL+ PLUG HEADER; WITH SOLDER CONTACTS
2 PLC ± -		WEIGHT	-	
3 PLC ± -		SCALE	A2	SIZE CAGE CODE DRAWING NO RESTRICTED TO A2 00779 C=338311 -
4 PLC ± -		CUSTOMER DRAWING	NTS	
ANGLES ± -		SCALE	NTS	SHEET 1 of 1 REV F1
FINISH		SCALE	NTS	