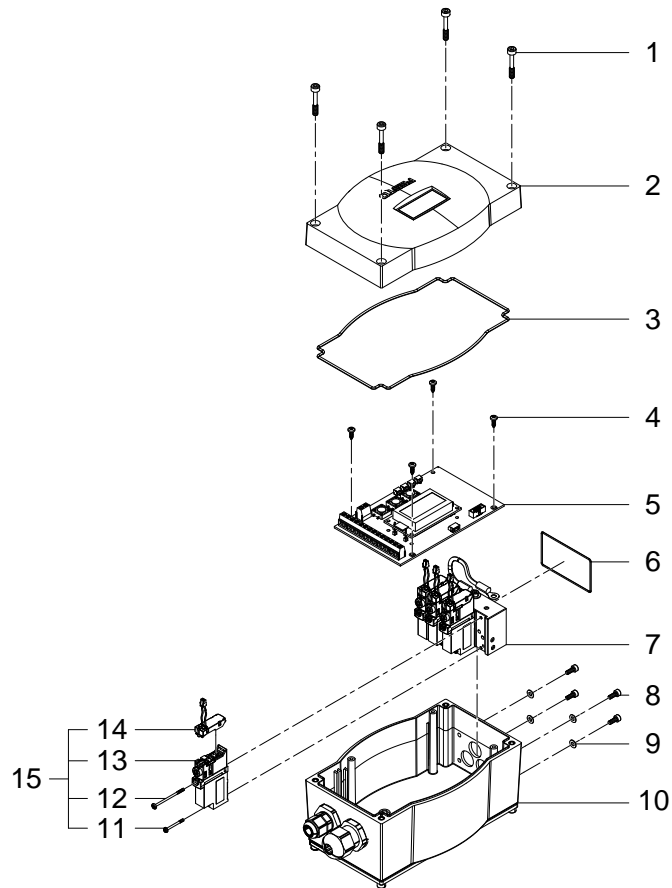


3929539 CMSX-P-SE-C-U-F1-D-130-A Positioner - Series: All



3929539 CMSX-P-SE-C-U-F1-D-130-A Positioner - Series: All

Pos.	Part no.	Type	Note	Qty.	Unit
1		F-M4X25-A2-70 Socket head screw	Not available Tightening torque 1.5 Nm / 1.1 lbf ft	4	PC
2		CMSX-P-...-C-U-F1-D-.. Cover	Not available	1	PC
3		B-146X1,78-N-NBR70 O-ring ISO3601	Not available	1	PC
4		DIN 7981-ST2,9X9,5-C-H tapping screw	Not available	4	PC
5		CMSX-P-...-C-U-F1-D-..-PD Flat module	Not available	1	PC
6		B-54X1-N-NBR70 O-ring ISO3601	Not available	1	PC
7		CMSX-P-...-C-U-F1-D-... Adapter base	Not available	1	PC
8		ISO 4762-M3X8-A2-70 Socket head screw	Not available Tightening torque 0.7 Nm / 0.5 lbf ft	5	PC
9		DIN 6907-3,2 Serrated washer	Not available	1	PC
10		CMSX-P-SE-C-U-F1-D-... Housing	Not available	1	PC
11		M2X20/4-RL-10.9-ZL Socket head screw	Not available separately, see position 15 Tightening torque 0.3 Nm / 0.2 lbf ft	4	PC
12		M2X34 Raised head screw	Not available separately, see position 15 Tightening torque 0.3 Nm / 0.2 lbf ft	4	PC
13		VUVG-B10-M32C-RZT-F-1P3 Solenoid valve	Not available separately, see position 15	4	PC
14		VAVE-L1-1VL100-CS Electrical sub-base	Not available separately, see position 15	4	PC
15	8173782	VUVG-B10-M32C Solenoid valve-SET	▶ Repair video	1	PC