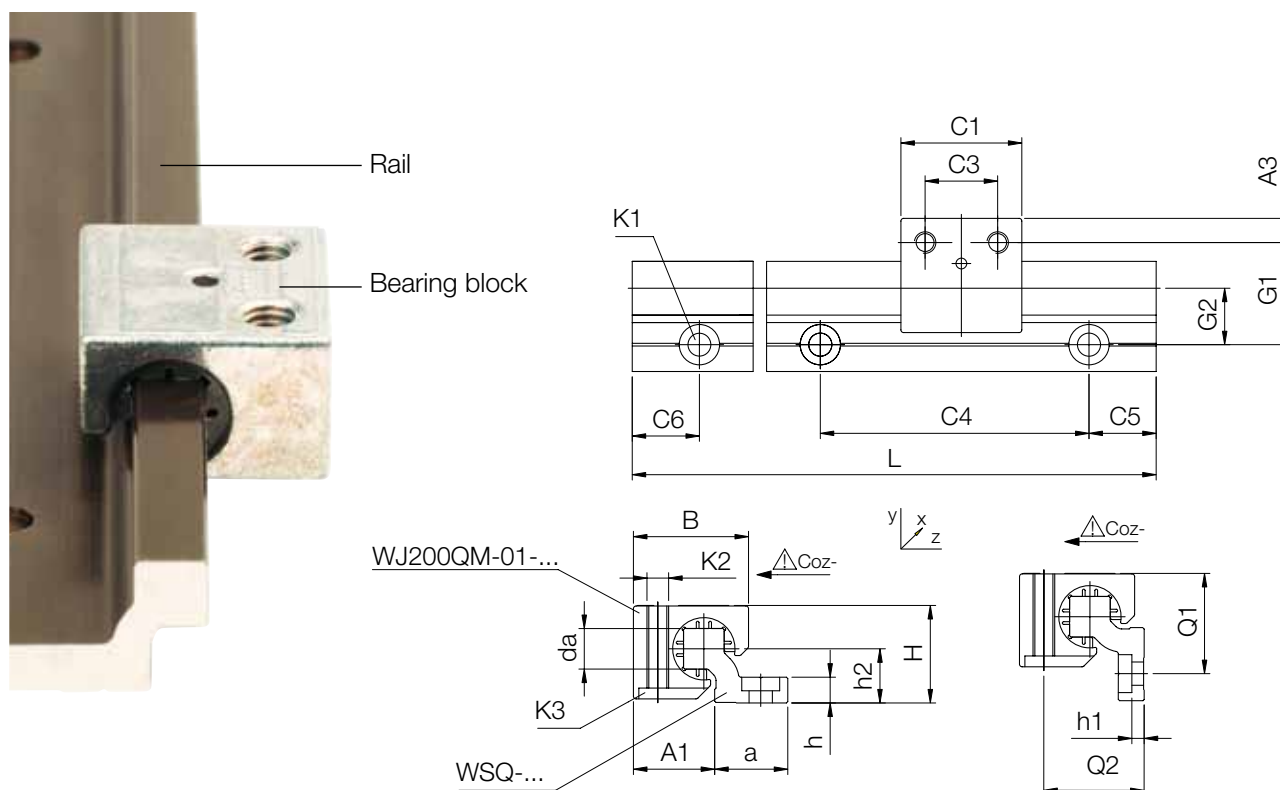


Single rail and housing bearing, square



Order key
complete ► page 785



Illustrated rails may vary in color due to the technical coating!

DryLin® W Guide Rails, Square – Load Data and Dimensions [mm]

| Part number | Weight [kg/m] | H | da | L | a | h | h1 | h2 | G1 | G2 | A1 | Q1 | Q2 |
|-------------|------------------|-------|------|-------|------|-----|------|-----|----|------|------|----|----|
| | | ±0.07 | -0.1 | max. | -0.3 | | | | | | | | |
| WSQ-06 | 0.23 | 14 | 5 | 3,000 | 14 | 4 | 4* | 7.5 | 18 | 10.5 | 13.5 | 17 | 15 |
| WSQ-10 | 0.54 | 20 | 7.5 | 4,000 | 25 | 5.5 | 5.5* | 11 | 27 | 17 | 18.5 | 26 | 21 |
| WSQ-16 | 0.94 | 27 | 11.5 | 4,000 | 27 | 7.5 | 3.5 | 14 | 33 | 19 | 25 | 32 | 28 |
| WSQ-20 | 1.41 | 36 | 15 | 4,000 | 27 | 9.5 | 4.5 | 20 | 38 | 21 | 30 | 37 | 37 |

| Part number | C4 | C5 min. | C5 max. | C6 min. | C6 max. | K1 for Screw DIN 912 | ly | lz | Wby | Wbz |
|-------------|-----|------------|------------|------------|------------|----------------------------|--------|--------|-------|-------|
| | | | | | | | [mm²] | [mm²] | [mm³] | [mm³] |
| WSQ-06 | 60 | 20 | 49.5 | 20 | 49.5 | M4* | 2,200 | 640 | 220 | 100 |
| WSQ-10 | 120 | 20 | 79.5 | 20 | 79.5 | M6* | 16,100 | 3,300 | 950 | 350 |
| WSQ-16 | 120 | 20 | 79.5 | 20 | 79.5 | M8 | 33,000 | 10,800 | 1,700 | 910 |
| WSQ-20 | 120 | 20 | 79.5 | 20 | 79.5 | M8 | 56,500 | 34,000 | 2,600 | 2,100 |

Standard bore pattern symmetrical: C5 = C6; please order C5 ≠ C6 with drawing

* Trough bore



delivery available
time from stock



prices price list online
www.igus.co.uk/en/DryLinW



order part number
example WSQ-06

DryLin® W Modular Guide Systems | Product Range

Single rail and housing bearing, square



Order key
complete ► page 785



All parts can be ordered individually
or as an assembled system

DryLin® W Housing Bearings, Square – Load Data and Dimensions [mm]

| Part number | Floating bearing play | Floating bearing direction | Weight [g] | B | C1 | C3 | A3 | K2 | K3 | Stat. Load Capac. | | |
|-------------------|-----------------------|----------------------------|------------|------|----|----|-----|----|----|-------------------|----------|----------|
| | | | | | | | | | | Coy [N] | Coz+ [N] | Coz- [N] |
| WJ200QM-01-06 | – | – | 16 | 18 | 19 | 10 | 4.5 | M4 | M3 | 420 | 420 | 140 |
| WJ200QM-01-06-LLZ | ± 0,5 | z | 16 | 18 | 19 | 10 | 4.5 | M4 | M3 | 420 | 420 | 140 |
| WJ200QM-01-06-LLY | ± 0,5 | y | 16 | 18 | 19 | 10 | 4.5 | M4 | M3 | 420 | 420 | 140 |
| WJ200QM-01-10 | – | – | 41 | 26 | 29 | 16 | 6.5 | M6 | M5 | 1,200 | 1,200 | 250 |
| WJ200QM-01-10-LLZ | ± 0,7 | z | 41 | 26 | 29 | 16 | 6.5 | M6 | M5 | 1,200 | 1,200 | 250 |
| WJ200QM-01-10-LLY | ± 0,7 | y | 41 | 26 | 29 | 16 | 6.5 | M6 | M5 | 1,200 | 1,200 | 250 |
| WJ200QM-01-16 | – | – | 100 | 34.5 | 36 | 18 | 9 | M8 | M6 | 2,100 | 2,100 | 400 |
| WJ200QM-01-16-LLZ | ± 1,0 | z | 100 | 34.5 | 36 | 18 | 9 | M8 | M6 | 2,100 | 2,100 | 400 |
| WJ200QM-01-16-LLY | ± 1,0 | y | 100 | 34.5 | 36 | 18 | 9 | M8 | M6 | 2,100 | 2,100 | 400 |
| WJ200QM-01-20 | – | – | 190 | 42.5 | 45 | 27 | 9 | M8 | M6 | 3,200 | 3,200 | 500 |
| WJ200QM-01-20-LLZ | ± 1,0 | z | 190 | 42.5 | 45 | 27 | 9 | M8 | M6 | 3,200 | 3,200 | 500 |
| WJ200QM-01-20-LLY | ± 1,0 | y | 190 | 42.5 | 45 | 27 | 9 | M8 | M6 | 3,200 | 3,200 | 500 |

Order example: WJ200QM-01-06 for a housing bearing, square
WJ200QM-01-06-LLZ for a housing bearing, square with floating z-direction



delivery available from stock



prices price list online
www.igus.co.uk/en/DryLinW

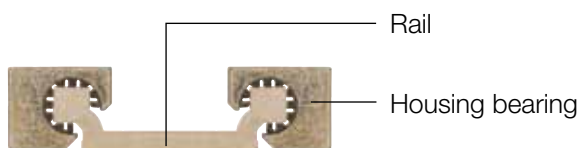
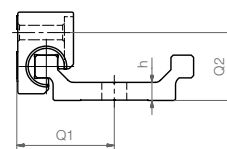
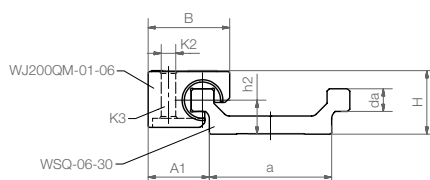
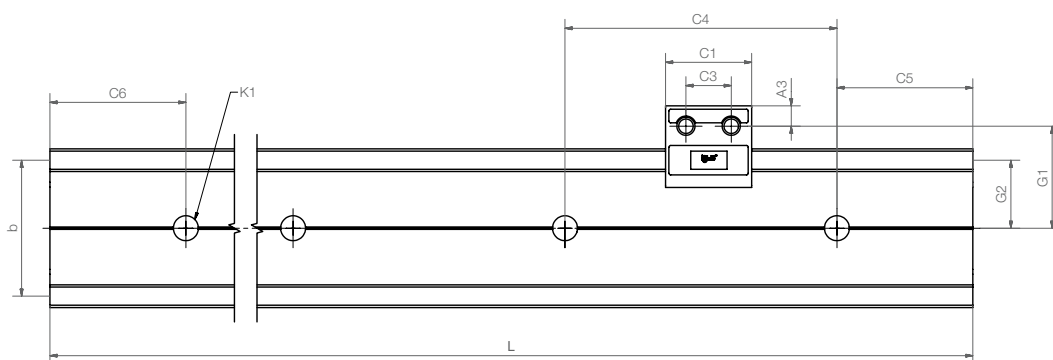


order part number
example WSQ-06-guide rail,
square;
WJ200QM-01-06-
housing bearing, square

Double rail and housing bearing, square



Order key complete ▶ page 785



DryLin® W Guide Rails – Dimensions [mm]

| Part number | Weight [kg/m] | H ±0.07 | da -0.1 | di | L max. | a -0.3 | b | h | h1 | h2 | G1 | G2 | a1* |
|-------------|------------------|------------|------------|----|-----------|-----------|----|---|----|-----|------|------|-----|
| WSQ-06-30 | 0.45 | 14 | 5 | - | 3,000 | 27 | 30 | 4 | 4 | 7.5 | 22.5 | 10.5 | - |

| Part number | C4 | C5 | | C6 | | K1 for Screw DIN 912 | ly [mm ⁴] | lz [mm ⁴] | Wby [mm ³] | Wbz [mm ³] |
|-------------|----|------|------|------|------|----------------------------|--------------------------|--------------------------|---------------------------|---------------------------|
| | | min. | max. | min. | max. | | | | | |
| WSQ-06-30 | 60 | 20 | 49.5 | 20 | 49.5 | M5*** | 19,000 | 1250 | 1,100 | 200 |

Standard bore pattern symmetrical: C5 = C6; please order C5 ≠ C6 with drawing

** Trough bore

Load Data and Dimensions [mm] – DryLin® W Housing Bearing – Square

| Part number | Weight [g] | B | C1 | C3 | A3 | K2 | K3 | Stat. Load Capac. | | |
|---------------|---------------|----|----|----|-----|----|----|------------------------|-------------------------------------|-------------------------------------|
| | | | | | | | | Co _y [N] | Co _z ⁺ [N] | Co _z ⁻ [N] |
| WJ200QM-01-06 | 16 | 18 | 19 | 10 | 4.5 | M4 | M3 | 420 | 420 | 140 |



delivery available from stock



prices price list online
www.igus.co.uk/en/DryLinW

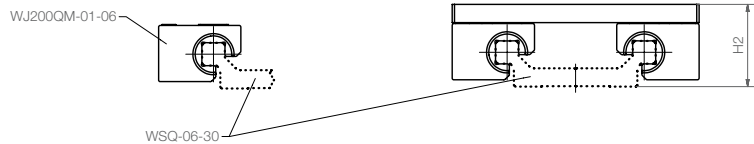
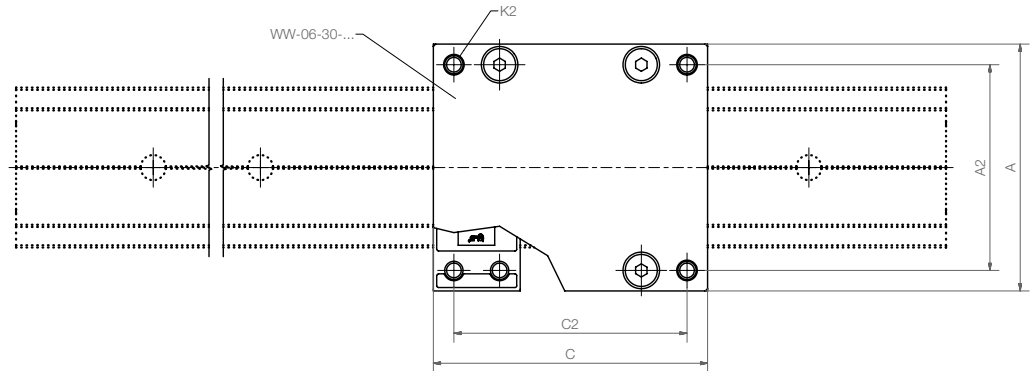
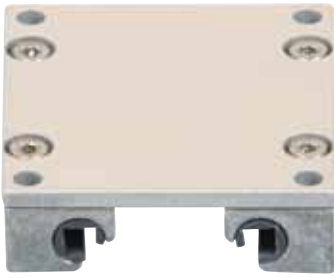


order part number
example WSQ-06-30

Guide carriage, fitted, square



Order key
complete ► page 785



DryLin® W Guide Carriage – Load Data and Dimensions [mm]

| Part number | Part number Suitable Rail | Weight [kg] | A Wide | C Length | A2 | C2 | K2 | H2 ±0.17 | Stat. Load Capacity | | | | |
|-------------|---------------------------------|----------------|-----------|-------------|----|----|----|-------------|---------------------|------------|-------------|-------------|-------------|
| | | | | | | | | | Coy [N] | Coz [N] | Mox [Nm] | Moy [Nm] | Moz [Nm] |
| WW-06-30-06 | WSQ-06-30 | 0.10 | 54 | 60 | 45 | 51 | M4 | 18 | 1,680 | 840 | 25 | 34 | 34 |
| WW-06-30-08 | WSQ-06-30 | 0.11 | 54 | 80 | 45 | 71 | M4 | 18 | 1,680 | 840 | 25 | 51 | 51 |
| WW-06-30-10 | WSQ-06-30 | 0.12 | 54 | 100 | 45 | 91 | M4 | 18 | 1,680 | 840 | 25 | 68 | 68 |



delivery available
time from stock



prices price list online
www.igus.co.uk/en/DryLinW



order part number
example WW-06-30-06
WSQ-06-30