

Home > 1031337403

Part Number: **1031337403**

General Description

| | |
|------------------------|---------------------------------|
| Series | 103 |
| Configuration | OIL TIGHT |
| Description | LARGE OIL TIGHT PANEL INDICATOR |
| Cap Material And Shape | TorpedoFaceted, polycarbonate |
| Cap Finish Description | Unfrosted or Transparent |
| Cap Color Desc | Clear (Colorless) |
| Metal Finish Desc | Satin Chrome |
| Built In Resistor Desc | None |
| Hardware Desc | Watertight |



1031337403



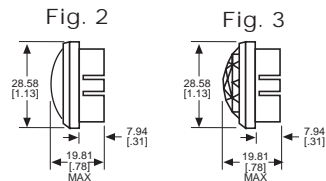
031 SERIES FOR 1" MOUNTING HOLE • FRICTION-FIT-CAP

| BASE PART NO. | VOLTAGE | FIG |
|-----------------|---------|-----|
| 031-3101-01-101 | 6-250 | 1 |



Uses:
S-6
CANDELABRA
SCREW BASE
INCANDESCENT
LAMP

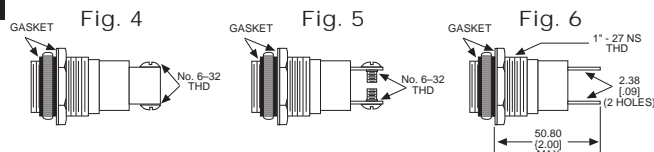
| CAP PART NO. | COLOR | FIG | CAP PART NO. | COLOR | FIG |
|--------------|-------|-----|--------------|-------|-----|
| 031-0111-300 | RED | 2 | 031-0431-300 | RED | 3 |
| 031-0112-300 | GREEN | 2 | 031-0432-300 | GREEN | 3 |
| 031-0113-300 | AMBER | 2 | 031-0433-300 | AMBER | 3 |
| 031-0135-300 | WHITE | 2 | 031-0435-300 | WHITE | 3 |
| 031-0137-300 | CLEAR | 2 | 031-0437-300 | CLEAR | 3 |



Material & Finish: Base - Nickel Plated Brass, Cap - Polycarbonate with Chrome Plated Brass Bezel

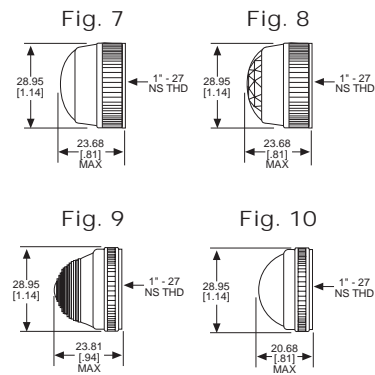
051 & 080 SERIES FOR 1" MOUNTING HOLE • WATERTIGHT

| BASE PART NO. | VOLTAGE | FIG |
|-----------------|---------|-----|
| 080-0901-05-303 | 6-250 | 4 |
| 080-3101-05-303 | 6-250 | 5 |
| 080-4001-05-303 | 6-250 | 6 |



Uses:
S-6
CANDELABRA
SCREW BASE
INCANDESCENT
LAMP

| CAP PART NO. | COLOR | FIG | CAP PART NO. | COLOR | FIG |
|--------------|-------|-----|--------------|-------|-----|
| 051-0111-303 | RED | 7 | 080-0531-303 | RED | 9 |
| 051-0112-303 | GREEN | 7 | 080-0532-303 | GREEN | 9 |
| 051-0113-303 | AMBER | 7 | 080-0533-303 | AMBER | 9 |
| 051-0135-303 | WHITE | 7 | 080-0535-303 | WHITE | 9 |
| 051-0137-303 | CLEAR | 7 | 080-0537-303 | CLEAR | 9 |
| 051-0431-303 | RED | 8 | 080-1231-303 | RED | 10 |
| 051-0432-303 | GREEN | 8 | 080-1232-303 | GREEN | 10 |
| 051-0433-303 | AMBER | 8 | 080-1233-303 | AMBER | 10 |
| 051-0435-303 | WHITE | 8 | 080-1235-303 | WHITE | 10 |
| 051-0437-303 | CLEAR | 8 | 080-1237-303 | CLEAR | 10 |

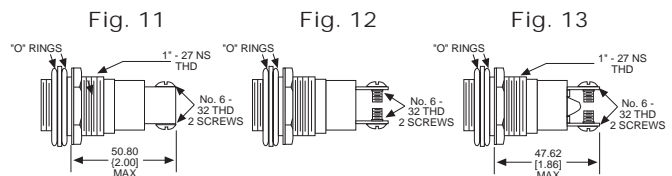


Material & Finish: Base - Chrome Plated Brass, Cap - Polycarbonate with Chrome Plated Brass Bezel

103 SERIES FOR 1" MOUNTING HOLE • OILTIGHT*

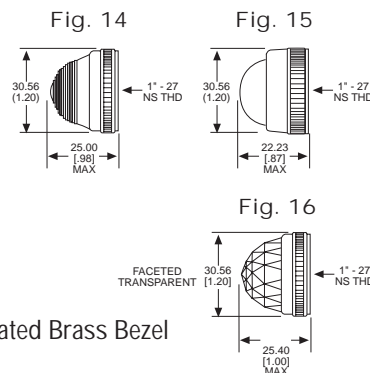
| BASE PART NO. | VOLTAGE | FIG |
|------------------|---------|-----|
| 103-0901-05-103 | 6-250 | 11 |
| 103-3101-05-103 | 6-250 | 12 |
| 103-3502-05-103† | 24-250 | 13 |

† Takes S-6 Double Contact Bayonet Base Lamp



Uses:
S-6
CANDELABRA
SCREW BASE
INCANDESCENT
LAMP

| CAP PART NO. | COLOR | FIG | CAP PART NO. | COLOR | FIG |
|--------------|-------|-----|--------------|-------|-----|
| 103-0531-403 | RED | 14 | 103-1233-403 | AMBER | 15 |
| 103-0532-403 | GREEN | 14 | 103-1235-403 | WHITE | 15 |
| 103-0533-403 | AMBER | 14 | 103-1237-403 | CLEAR | 15 |
| 103-0535-403 | WHITE | 14 | 103-1331-403 | RED | 16 |
| 103-0537-403 | CLEAR | 14 | 103-1332-403 | GREEN | 16 |
| 103-1231-403 | RED | 15 | 103-1333-403 | AMBER | 16 |
| 103-1232-403 | GREEN | 15 | 103-1335-403 | WHITE | 16 |
| | | | 103-1337-403 | CLEAR | 16 |



Material & Finish: Base - Nickel Plated Brass, Cap - Polycarbonate with Chrome Plated Brass Bezel

Neon and incandescent lamp information on Pages 35 and 36.

* See Page 14 for Oiltight information

Dimensions in mm [inches]

