

# Series 57, Indicator

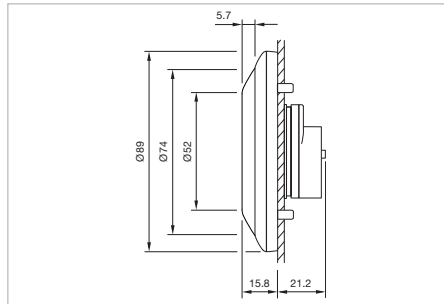
## Indicator



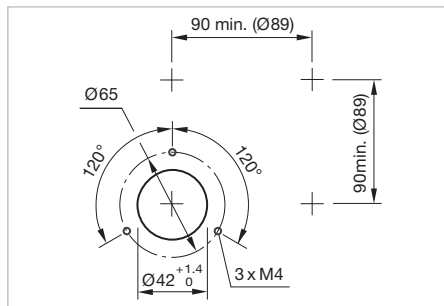
The preview is based on a sample product. This can differ from your current configuration.

### Product features

- Extra large illuminated surface, Ø 52 mm
- LEDs ensure an optimal illumination
- Cable and front bezel are available as single parts
- Please fill in the form and forward it to your local EAO partner by e-mail or fax. The electronic form is available at <http://www.eao.com/offer57>

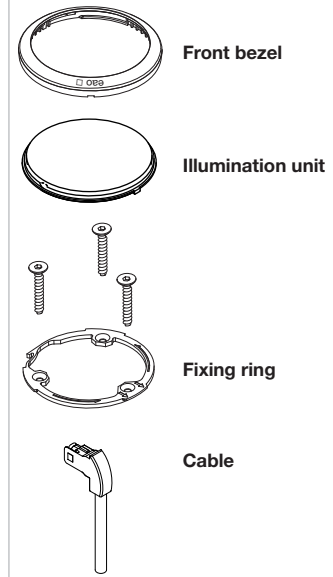


Dimensions [mm]



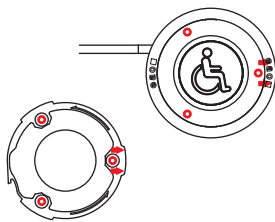
Mounting cut-outs [mm]

### Equipment consisting of

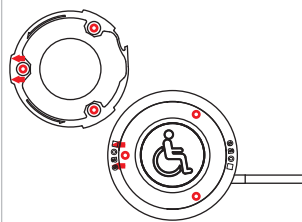


### Cable exit

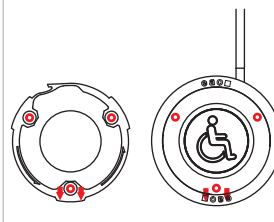
cable exit left



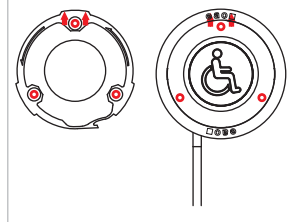
cable exit right



cable exit top



cable exit bottom



### Supply voltage

24 VDC

110 VDC

Tolerance +30 % ... -30 %

### Symbols

<input type="checkbox"/>	<input type="checkbox"/>	<input type="checkbox"/>	<input type="checkbox"/>	<input type="checkbox"/>	<input type="checkbox"/>	<input checked="" type="checkbox"/>	<input type="checkbox"/>
<input type="checkbox"/>	<input type="checkbox"/>	<input type="checkbox"/>	<input type="checkbox"/>	<input type="checkbox"/>	<input type="checkbox"/>	<input type="checkbox"/>	<input type="checkbox"/>
<input type="checkbox"/>	<input type="checkbox"/>	<input type="checkbox"/>	<input type="checkbox"/>	<input type="checkbox"/>			

## Series 57, Indicator

Front bezel		
plastic		aluminium
<input type="checkbox"/> green RAL 6032	<input type="checkbox"/> red RAL 3000	<input type="checkbox"/> natural anodized
<input type="checkbox"/> blue RAL 5015	<input type="checkbox"/> yellow RAL 1023	
<input type="checkbox"/> grey RAL 7040	<input checked="" type="checkbox"/> black RAL 9017	

Illumination					
Single coloured			Bicoloured		
<input checked="" type="checkbox"/> red	<input type="checkbox"/> yellow	<input type="checkbox"/> green	<input type="checkbox"/> red/yellow	<input type="checkbox"/> red/green	<input type="checkbox"/> blue/white
<input type="checkbox"/> blue	<input type="checkbox"/> white				

Optional lighting effects	
<input checked="" type="checkbox"/> No	<input type="checkbox"/> Yes

With optional light effect functions			
PIN 2	<input type="checkbox"/> Red <input type="checkbox"/> Yellow <input type="checkbox"/> Green <input type="checkbox"/> Blue <input type="checkbox"/> White (Please advise one colour)	<input type="checkbox"/> Flashing frequency	<input type="checkbox"/> Constant lighting <input type="checkbox"/> 0.2 Hz <input type="checkbox"/> 0.5 Hz <input type="checkbox"/> 1.0 Hz <input type="checkbox"/> 2.5 Hz
		<input type="checkbox"/> Brightness	<input type="checkbox"/> 50 % <input type="checkbox"/> 100 %
PIN 3	<input type="checkbox"/> Red <input type="checkbox"/> Yellow <input type="checkbox"/> Green <input type="checkbox"/> Blue <input type="checkbox"/> White (Please advise one colour)	<input type="checkbox"/> Flashing frequency	<input type="checkbox"/> Constant lighting <input type="checkbox"/> 0.2 Hz <input type="checkbox"/> 0.5 Hz <input type="checkbox"/> 1.0 Hz <input type="checkbox"/> 2.5 Hz
		<input type="checkbox"/> Brightness	<input type="checkbox"/> 50 % <input type="checkbox"/> 100 %
PIN 4	<input type="checkbox"/> Red <input type="checkbox"/> Yellow <input type="checkbox"/> Green <input type="checkbox"/> Blue <input type="checkbox"/> White (Please advise one colour)	<input type="checkbox"/> Flashing frequency	<input type="checkbox"/> Constant lighting <input type="checkbox"/> 0.2 Hz <input type="checkbox"/> 0.5 Hz <input type="checkbox"/> 1.0 Hz <input type="checkbox"/> 2.5 Hz
		<input type="checkbox"/> Brightness	<input type="checkbox"/> 50 % <input type="checkbox"/> 100 %

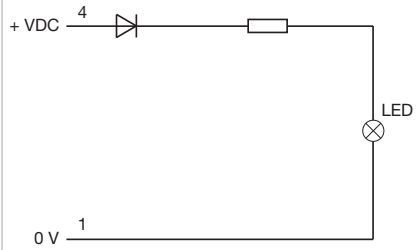
Note: Total up to 3 lighting effects available per indicator, please see «Illumination».

Cable length			
<input checked="" type="checkbox"/> A = 200 mm (standard)	<input type="checkbox"/> A = 1000 mm	<input type="checkbox"/> A = 2000 mm	<input type="checkbox"/> _____ mm

Cable + Connector type				
Cable	Connector	Connector pin assignment		
<input checked="" type="checkbox"/> 2 x 0.50 mm <sup>2</sup>	<input checked="" type="checkbox"/> Core end-sleeves		<input type="checkbox"/> standard	<input type="checkbox"/> special
<input type="checkbox"/> 4 x 0.50 mm <sup>2</sup>	<input type="checkbox"/> AMP MateNLok	Pin 1	1	—
	<input type="checkbox"/> WAGO X-COM 769	Pin 2	2	—
	<input type="checkbox"/> DEUTSCH connector	Pin 3	3	—
		Pin 4	4	—

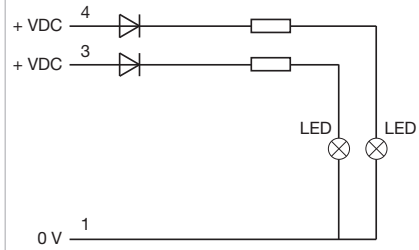
# Series 57, Indicator

X Single-colour, no lighting effects



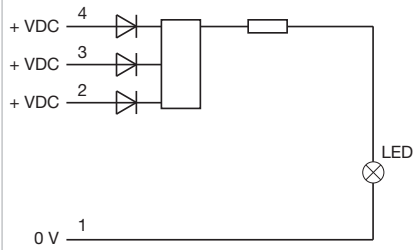
Wiring diagram 1

Dual-colour, no lighting effects



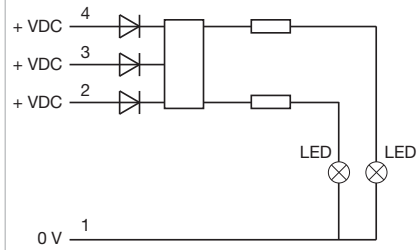
Wiring diagram 2

Single-colour, with lighting effects



Wiring diagram 3

Dual-colour, with lighting effects



Wiring diagram 4