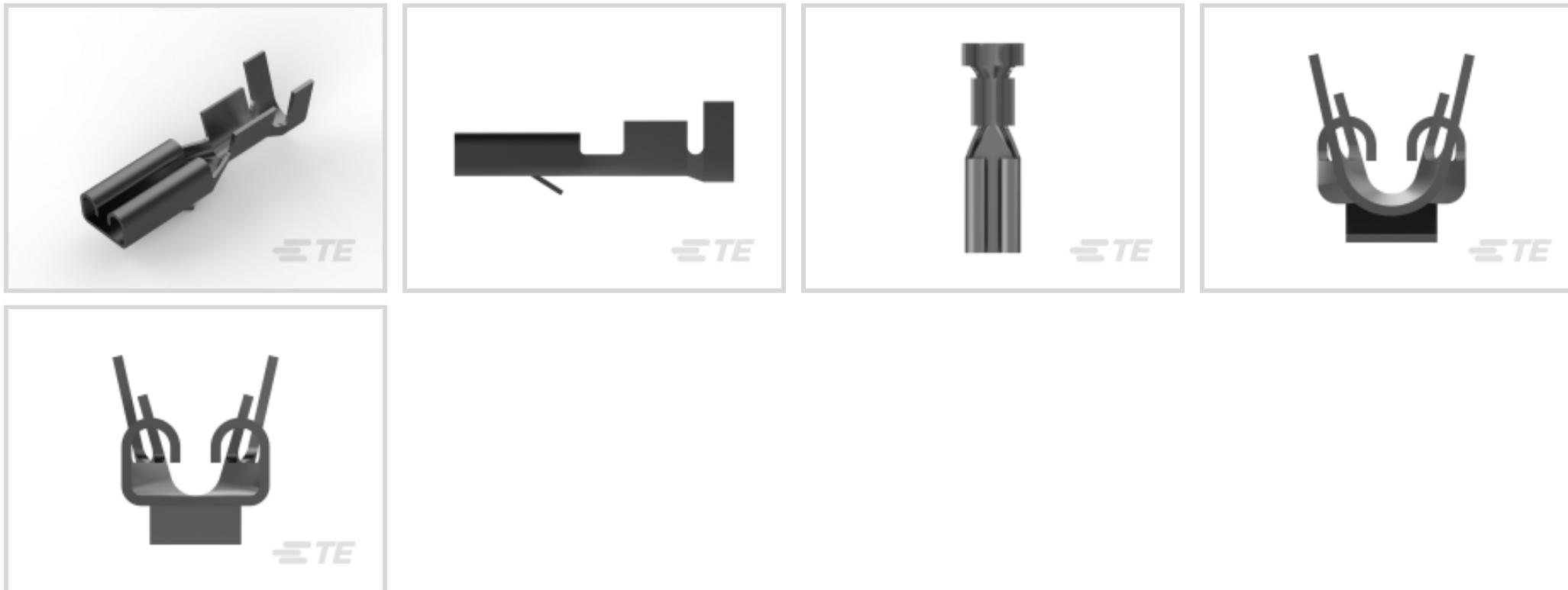




Terminals & Splices > Quick Disconnects



Quick Disconnect Terminal Type: **Receptacle**

Wire Size: .51 – 1.65 mm²

Mating Tab Width: 2.8 mm [.11 in]

Mating Tab Thickness: .81 mm [.032 in]

Features

Product Type Features

Insertion Force	Normal
-----------------	--------

Configuration Features

Compatible With Wire & Cable Type	Discrete Wire
Connection Capacity	Single

Contact Features

Quick Disconnect Terminal Type	Receptacle
Mating Tab Width	2.8 mm [.11 in]
Mating Tab Thickness	.81 mm [.032 in]
Terminal Orientation	Straight
Contact Base Material	Brass
Terminal Plating Material	Tin
Crimp Type	F-Crimp
Barrel Type	Open

Termination Features

--	--



Product Terminates To	Wire & Cable
-----------------------	--------------

Mechanical Attachment

	.038 in
--	---------

Wire Insulation Support	With
-------------------------	------

Mating Retention Type	Locking Lance
-----------------------	---------------

Dimensions

Product Length	14 mm [.551 in]
----------------	-----------------

Compatible Insulation Diameter Range	2.01 – 3.1 mm [.079 – .122 in]
--------------------------------------	--------------------------------

Terminal Material Thickness	.25 mm [.01 in]
-----------------------------	-----------------

Wire Size	.51 – 1.65 mm ²
-----------	----------------------------

Usage Conditions

Insulation Option	Uninsulated
-------------------	-------------

Operating Temperature Range	-40 – 110 °C [-40 – 230 °F]
-----------------------------	-----------------------------

Packaging Features

Packaging Quantity	10000
--------------------	-------

Packaging Method	Strip/Reel
------------------	------------

Product Compliance

[For compliance documentation, visit the product page on TE.com>](#)

EU RoHS Directive 2011/65/EU	Compliant
------------------------------	-----------

EU ELV Directive 2000/53/EC	Compliant
-----------------------------	-----------

China RoHS 2 Directive MIIT Order No 32, 2016	有害物质含量符合标准要求 No Restricted Substance(s) Above Threshold
---	---

EU REACH Regulation (EC) No. 1907/2006	Current ECHA Candidate List: JUNE 2025 (250) Candidate List Declared Against: JUNE 2025 (250) Does not contain REACH SVHC
--	---

Halogen Content	Low Halogen - Br, Cl, F < 900 ppm per homogenous material. Also BFR/CFR/PVC Free
-----------------	--

Solder Process Capability	Not applicable for solder process capability
---------------------------	--

Product Compliance Disclaimer

This information is provided based on reasonable inquiry of our suppliers and represents our current actual knowledge based on the information they provided. This information is subject to change. The part numbers that TE has identified as EU RoHS compliant have a maximum concentration of 0.1% by weight in homogenous materials for lead, hexavalent

chromium, mercury, PBB, PBDE, DBP, BBP, DEHP, DIBP, and 0.01% for cadmium, or qualify for an exemption to these limits as defined in the Annexes of Directive 2011/65/EU (RoHS2). Finished electrical and electronic equipment products will be CE marked as required by Directive 2011/65/EU. Components may not be CE marked. Additionally, the part numbers that TE has identified as EU ELV compliant have a maximum concentration of 0.1% by weight in homogenous materials for lead, hexavalent chromium, and mercury, and 0.01% for cadmium, or qualify for an exemption to these limits as defined in the Annexes of Directive 2000/53/EC (ELV). Regarding the REACH Regulation, the information TE provides on SVHC in articles for this part number is based on the latest European Chemicals Agency (ECHA) 'Guidance on requirements for substances in articles' posted at this URL: <https://echa.europa.eu/guidance-documents/guidance-on-reach>

Compatible Parts



TE Part # 150571-2
FF 110 REC 0.2-0.56MM2 TPBR



TE Part # 7-2150017-7
OCEAN_2.0_SPARE_PART_KIT-070F130F



TE Part # 2150017-1
OCEAN_2.0_Applicator-E-070F130F-REM



TE Part # 2150017-2
OCEAN_2.0_Applicator-E-070F130F-REA



TE Part # 737255-5
FF 110 REC 0.5-1.0MM2 TPBR

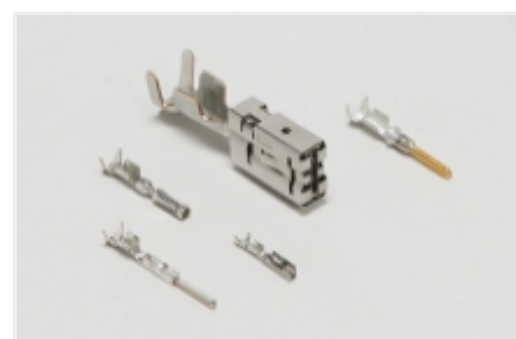
Also in the Series | FASTIN-FASTON 110



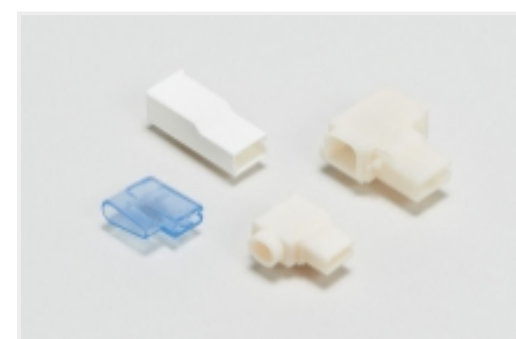
Automotive Housings(6)



Automotive Signal & Power Connector Housings(6)



Automotive Terminals(5)



Crimp Terminal Housings(34)



Insertion & Extraction Tools(3)



Quick Disconnects(78)

Customers Also Bought



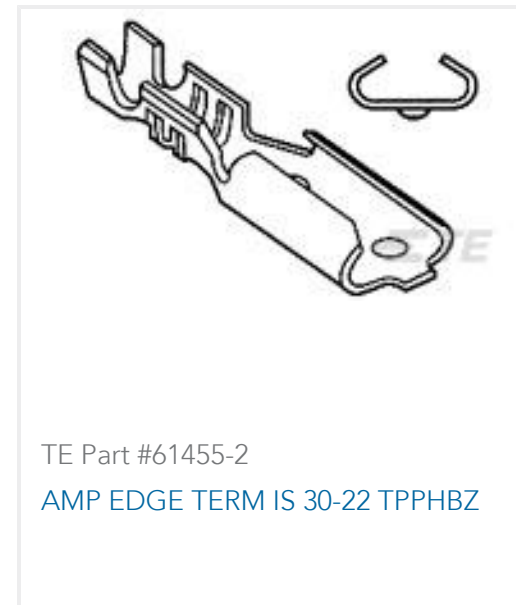
TE Part #1062-20-0322
SOC, SF, SIZE 20, 16-22, SLEVLSS, NI /NI



TE Part #42400-1
250 FASTON REC 18-14 AWG BR



TE Part #42510-1
250 FASTON REC 22-18 AWG BR



TE Part #61455-2
AMP EDGE TERM IS 30-22 TPPHBZ



TE Part #170801-4
FF 110 REC HSG 4P NYLON NATURAL



TE Part #776181-1
0.040 MULTILOCK RCPT



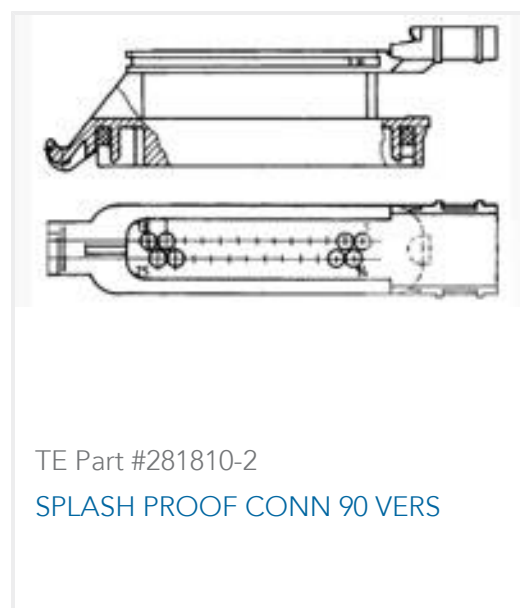
TE Part #1393367-2
GET-SOCKET TERMINAL, SILVER VE



TE Part #1871415-1
AMPSEAL16,CAP ASSY,8P-A,B/R TYPE, RWDS,



TE Part #2366066-3
48POS,MCON 1.2,TAB HSG ASSY, UNSLD,COD C



TE Part #281810-2
SPLASH PROOF CONN 90 VERS

Documents

Product Drawings

[FF 110 REC 20-15 AWG TPBR](#)

English

CAD Files

[3D PDF](#)

3D

Customer View Model

[ENG_CVM_CVM_160655-6_AJ.2d_dxf.zip](#)

English

Customer View Model

[ENG_CVM_CVM_160655-6_AJ.3d_igs.zip](#)

English

Customer View Model

[ENG_CVM_CVM_160655-6_AJ.3d_stp.zip](#)

English

By downloading the CAD file I accept and agree to the [Terms and Conditions](#) of use.



Product Specifications

[EB**General Application Specification for Open Barrel Terminals](#)

English

[Application Specification](#)

English

Agency Approvals

[UL Report](#)

English