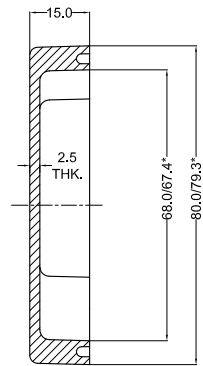
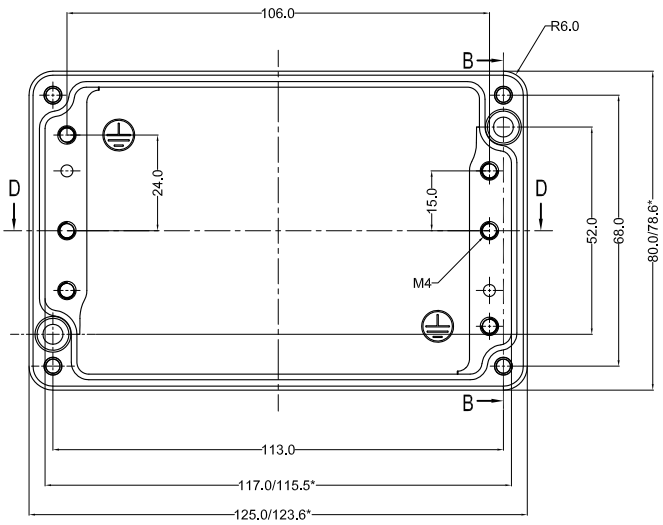


LID

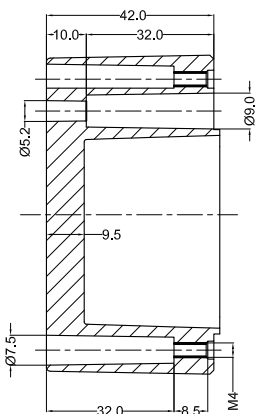
SECTION A-A



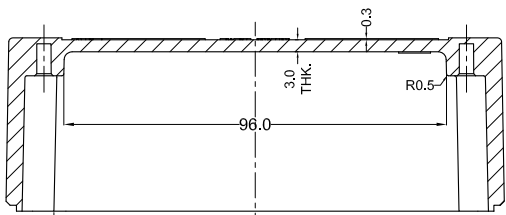
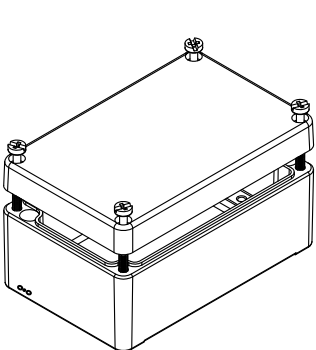
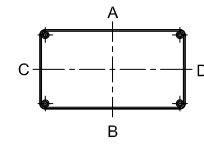
SECTION A-A



BASE



SECTION B-B



SECTION D-D

**GENERAL SPECIFICATION AND AREA CLASSIFICATION:**

1. MATERIAL COMPOSITION - AISI 12
2. DEGREE OF PROTECTION IP66 AS PER IEC 60529 : 1989 +A1 : 2000
3. SERVICE TEMPERATURE RANGE : - 50 °C to +135 °C
4. ALL DIMENSIONS ARE IN mm. UNLESS STATED OTHERWISE.
5. SURFACE WILL PLAIN FINISH OR POWDER COATED.(RAL-7001)
6. THE JUNCTION BOX WILL BE MARKED WITH
7. II 2 G Ex e IIC Gb  
II 2 D Ex tb IIC Db IP 66  
**0539**  
DEMKO 13 ATEX 1327771U  
IECEx UL 13.0042U

8. TRADE MARK

NOT TO BE REVISED WITHOUT NOTIFICATION TO THE ExCB/NOTIFIED BODY

Opening Detail (Size)	NO OF HOLES SIDE A/B	Min. Distance between the opening for Side A/B (mm)	NO OF HOLES SIDE C/D	Min. Distance between the opening for Side C/D (mm)	Opening Detail (Size) PG	NO OF HOLES SIDE A/B	Min. Distance between the opening for Side A/B (mm)	NO OF HOLES SIDE C/D	Min. Distance between the opening for Side C/D (mm)	Min. Distance of last opening from the enclosure end on side A/B (mm)	Min. Distance of last opening from the enclosure end on side C/D (mm)
M12	5	13	2	13	Pg.7	5	13	2	13	16	16
M16	4	11	2	11	Pg.9	6	8	2	9	14	22
M20	3	10	2	9	Pg.11	3	9	2	9	20	19
M25	2	8.5	1	-	Pg.13.5	3	10	2	8	18	25
M32	-	-	-	-	Pg.16	2	12	1	-	16	24
M40	-	-	-	-	Pg.21	2	16	-	-	25	-
M50	-	-	-	-	Pg.29	-	-	-	-	-	-
M63	-	-	-	-	Pg.36	-	-	-	-	-	-
-	-	-	-	-	Pg.42	-	-	-	-	-	-
-	-	-	-	-	Pg.48	-	-	-	-	-	-

SR.NO.	PART NAME	DRAWING NO.	MATERIAL	QTY
5	SILICON GASKATE	JB-02GSK-06	SILICON	1
4	JB EXTERNAL EARTHING SET	-	AISI 304	1
3	LID MOUNTING SCREW	M4 JB-SCR-LD-00	AISI 304	4
2	JB-EARTHING SCREW	-	MS COPPER PLATED	2
1	JUNCTION BOX Ex-125 x 80 x 57	Ex-1258057	AISI 12	1

QUANTITY	MATERIAL :- AISI12 DIN230	MACH.NAME	DATE	SIGN	NAME
	WEIGHT: FINISH: NATURAL	TITLE :- JUNCTION BOX 125 x 80 x 57	17/02/14		RRPL DESIGN
	TOLERANCE	<b>Raychem RPG (P) Limited</b>	17/02/14		MANOJ DRAWN
	ALL DIMENSION ARE IN MM	Ceat Mahal Annex, Dr. Annie Besant Road, Worli, Mumbai 400030 Web : www.raychemrpg.com	17/02/14		G.K. CHECKED
		SCALE	PARTNO.		J.B. APPROVED
		REV			DRG. NO.
					0
					Ex-AJB-1258057

PROPERTY OF RaychemRPG (P) LTD.  
ALL RIGHTS RESERVED AND/OR PHOTOCOPYING THIS DOCUMENT  
TO A PERSON WITHOUT RaychemRPG (P) LTD. WRITTEN AUTHORIZATION IS PROHIBITED

B.O.M.