



Brand of NTN corporation

Technical data

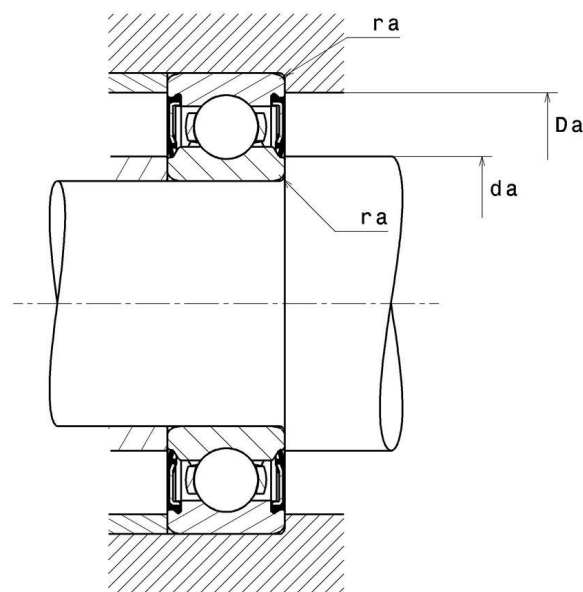
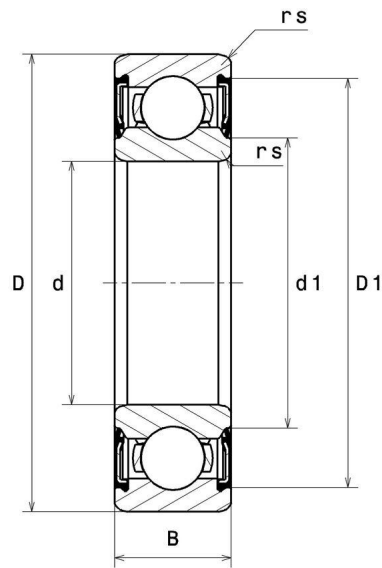
6014EEC3

Single row deep groove ball bearings



Deep groove ball bearing, radial contact, pressed steel cage, contact seals on both sides

VISUAL (S)



NTN Europe

1 rue des Usines · BP 2017 · 74010 Annecy Cedex · France · Tel. +33 (0)4 50 65 30 00
S.A. au capital de 322 639 919 € · RCS ANNECY B 325 821 072 · Id. Fiscale : FR 48 325 821 072
SIRET 325 821 072 00015 · Code APE 2815 Z · Code NACE 28.15

6014EEC3

Single row deep groove ball bearings

PRODUCT DEFINITION

Brand	SNR
d - Internal diameter	70 mm
D - External diameter	110 mm
B - Bearing/Inner ring width	20 mm
d1 - External diameter inner ring	78,7 mm
D1 - Inner diameter outer ring	100,8 mm
rs - Min fillet radius	1,1 mm
Radial clearance class	C3
Mass	0,61 kg

PRODUCT PERFORMANCE

C - Dynamic load	40100000 mN
C0 - Static load	31000000 mN
Cu - Fatigue limit load	1410000 mN
f0 - Coefficient	15.6
N lim - Mechanical Limit Speed	21600 °/s
Tmin - Min operating temperature	243,15 °K
Tmax - Max operating temperature	393,15 °K

BEARING FREQUENCIES

BPFO - Over rolling frequency on outer ring (60 rpm)	6.074 Hz
BPFI - Over rolling frequency on inner (60 rpm)	7.926 Hz
BSF - Over rolling frequency on rolling element (60 rpm)	7.427 Hz
BRF - Rotational frequency - rolling element (60 rpm)	3.714 Hz
FTF - Rotational frequency - cage (60 rpm)	0.434 Hz



NTN Europe

1 rue des Usines · BP 2017 · 74010 Annecy Cedex · France · Tel. +33 (0)4 50 65 30 00
S.A. au capital de 322 639 919 € · RCS ANNECY B 325 821 072 · Id. Fiscale : FR 48 325 821 072
SIRET 325 821 072 00015 · Code APE 2815 Z · Code NACE 28.15

6014EEC3

Single row deep groove ball bearings

ABUTMENT

da min - Min shoulder diameter IR	76,5 mm
da max - Max shoulder diameter IR	78,7 mm
Da max - Max shoulder diameter OR	103,5 mm
ra max - Max shaft & housing fillet radius	1 mm

INDUSTRY CALCUL FACTORS

Equivalent dynamic radial load

$$P = X.F_r + Y.F_a$$

$\frac{f_0 F_a}{C_0}$	e	Fa / Fr ≤ e		Fa / Fr > e	
		X	Y	X	Y
0.172	0.19	1	0	0.56	2.3
0.345	0.22				1.99
0.689	0.26				1.71
1.03	0.28				1.55
1.38	0.3				1.45
2.07	0.34				1.31
3.45	0.38				1.15
5.17	0.42				1.04
6.89	0.44				1

Equivalent static radial load

$$P_0 = X_0.F_r + Y_0.F_a$$

X_0	Y_0
0.6	0.5

For single or DT bearing arrangement :

If $P_0 < F_r$, then use $P_0 = F_r$



NTN Europe

1 rue des Usines · BP 2017 · 74010 Annecy Cedex · France · Tel. +33 (0)4 50 65 30 00
 S.A. au capital de 322 639 919 € · RCS ANNECY B 325 821 072 · Id. Fiscale : FR 48 325 821 072
 SIRET 325 821 072 00015 · Code APE 2815 Z · Code NACE 28.15