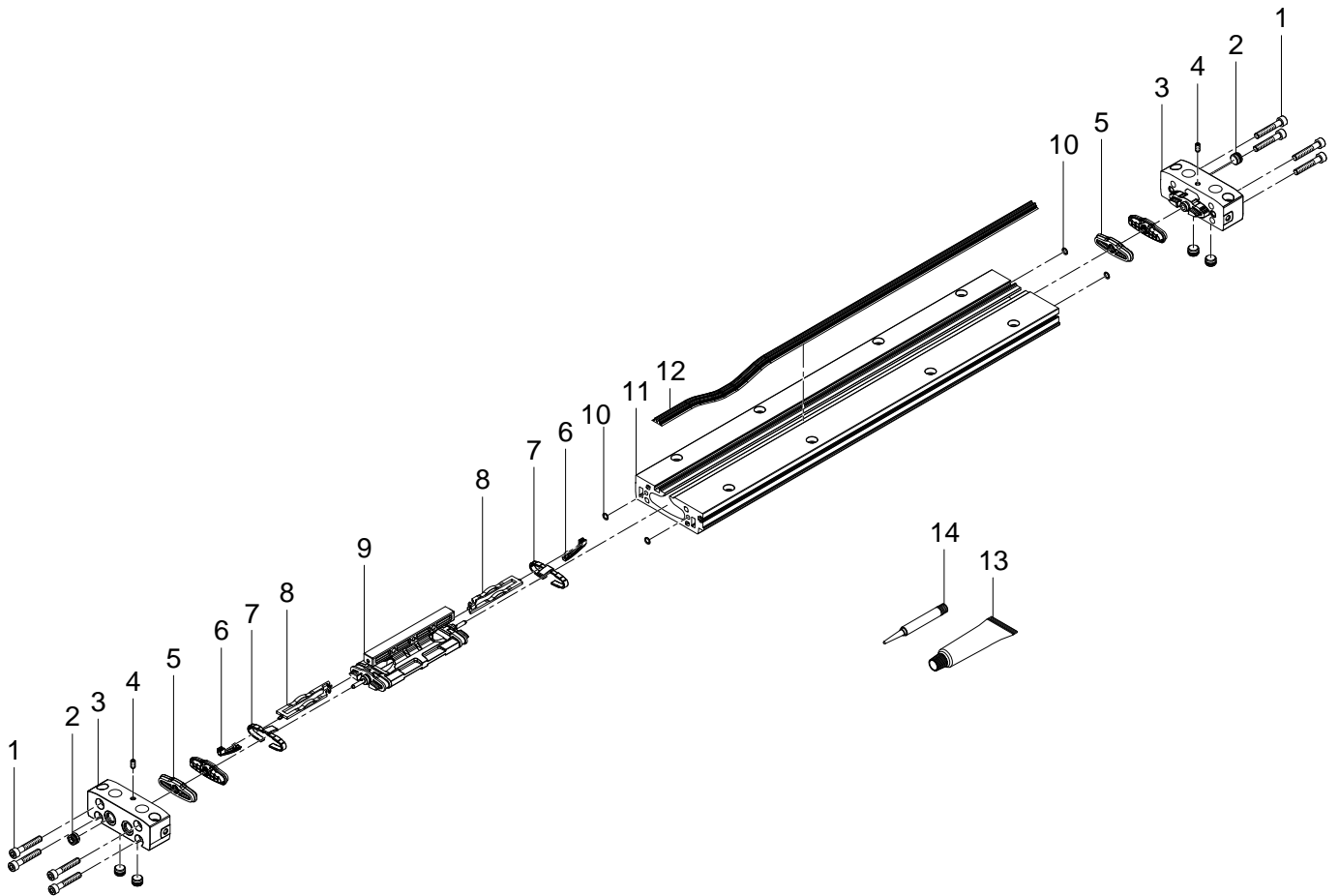


5074918 DLGF-G-20-100-PPSA Linear drive - Series: All



5074918 DLGF-G-20-100-PPSA Linear drive - Series: All

| Pos. | Part no. | Type | Note | Qty. | Unit |
|------|----------|--|--|------|------|
| A | 8083867 | DLGF-20 Set of wearing parts | Spare parts: 5, 6, 7, 10, 13 Repair note: Mounting aid Replacing the wearing parts | 1 | PC |
| 1 | 679713 | ISO 4762-M4X20-10.9 Socket head screw | Tightening torque 4.4 Nm / 3.2 lbf ft Use locking compound. See position 14 | 8 | PC |
| 2 | | M5X5 Plug screw module | Not available Use locking compound. See position 14 | 6 | PC |
| 3 | | DLGF-20:MA End cap | Not available | 1 | PC |
| 4 | | ISO 4026-M4X8-A2-21H Threaded pin | Not available Tightening torque 0.7 Nm / 0.5 lbf ft Use locking compound. See position 14 | 2 | PC |
| 5 | | DLGF-20 Piston seal | Not available separately, see position A Grease using during assembly. See position 13 | 4 | PC |
| 6 | | DLGF-20 Guide | Not available separately, see position A Grease using during assembly. See position 13 | 2 | PC |
| 7 | | DLGF-20 Guiding band | Not available separately, see position A Grease using during assembly. See position 13 | 2 | PC |
| 8 | | DLGF-20 Cover | Not available | 2 | PC |
| 9 | | DLGF-20:MA Piston | Not available | 1 | PC |
| 10 | | B-3,5X0,9-N-NBR70 O-ring ISO3601 | Not available separately, see position A Grease using during assembly. See position 13 | 4 | PC |
| 11 | | DLGF-20-100:MA Cylinder barrel | Not available Grease using during assembly. See position 13 | 1 | PC |
| 12 | 8083871 | DLGF-G/KF-20...40 Sealing band | Grease using during assembly. See position 13 Replacing the toothed belt | 1 | PC |
| 13 | 684474 | LUB-KC1 SILIKONFREI 20ML Lubricating grease | | 1 | PC |
| 14 | 8181256 | CYBERBOND TM44 TB1ML Adhesive bonding agent | | 1 | PC |