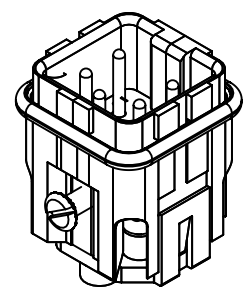
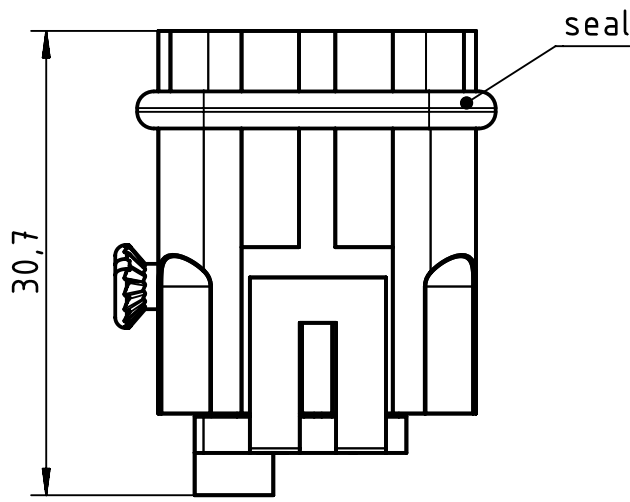
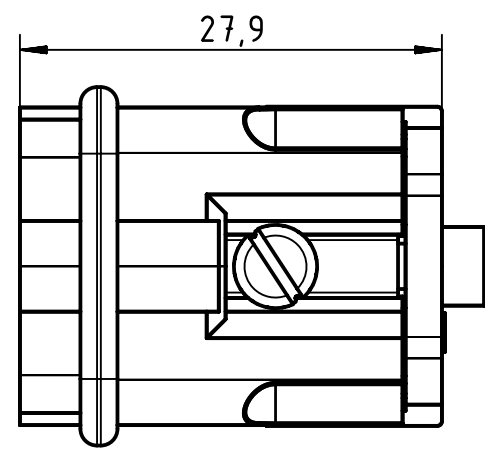
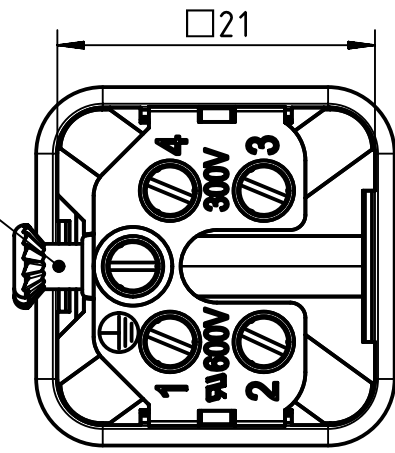



insert screw M3X6
enclosed separately



	FREE SIZE TOL':			TITLE		REV.
				RS Pro 4A insert 4 contacts+PE, male		A
	DRAWN BY	Limei.L	2018.3.15	SIZE	PART NUMBER	
	CHECKED BY	Andy.Y	2018.3.15		A4	1715722
APPROVED BY	Steven.W	2018.3.15	SCALE 2:1	MATERIAL:		SHEET
						1 OF 1
						UNIT: mm