

Surface
SMT
Mount

2mm HEADER TMM SERIES

SPECIFICATIONS

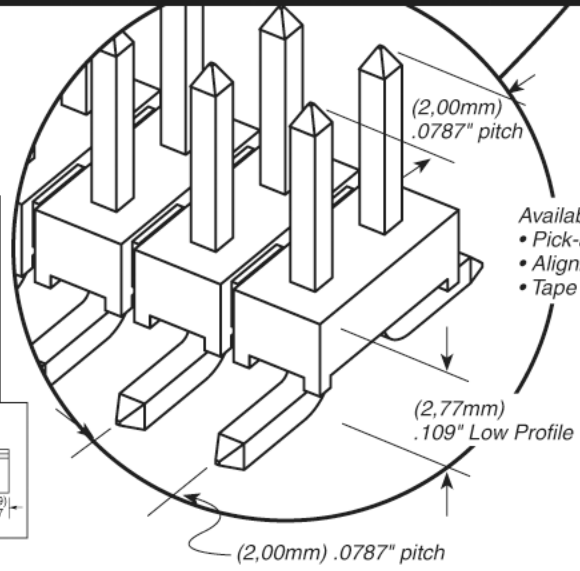
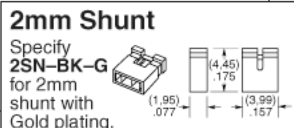
For complete specifications and recommended PCB layouts see www.samtec.com?TMM

Insulator Material: Black Liquid Crystal Polymer
Terminal Material: Phosphor Bronze
Plating: Sn or Au over 50µ" (1,27µm) Ni
Operating Temp Range: -55°C to +105°C with Tin; -55°C to +125°C with Gold
Voltage Rating: 500 VAC mated with SQW 450 VAC mated with SQT
RoHS Compliant: Yes



Mates with:
CLT, SQT, SQW, ESQT, TLE, SMM, MMS, TCSD

ALSO AVAILABLE



Available with optional
 • Pick-and-place pads
 • Alignment pins
 • Tape & reel packaging

CURRENT RATING		
AMBIENT TEMP	Mated with	
	SQT	CLT
20°C	5.5A	3.7A
40°C	5A	3.3A
60°C	4A	2.9A
80°C	3A	2.4A

Processing:
 Max Processing Temp: 230°C for 60 seconds, or 260°C for 20 seconds 3x
 Lead-Free Solderable: Yes
 SMT Lead Coplanarity: (0,15mm) .006" max



02 thru 40

Specify LEAD STYLE from chart below.

LEAD STYLE	A	MATES WITH
-01	(3,20) .126	SQT, SQW, ESQT, TLE, SMM, MMS, TCSD
-04	(1,91) .075	
-05	(1,65) .065	CLT
-06	(4,27) .168	CLT-BE

-L
= 10µ" (0,25µm) Gold on contact area, Matte Tin on tail

-G
= 20µ" (0,51µm) Gold on contact area Gold flash on tail

-T
= Matte Tin

-S
= 30µ" (0,76µm) Gold on contact area, Matte Tin on tail

-S
= Single Row

-D
= Double Row

- "XXX"
= Polarized Position Specify position of omitted pin

-A
= Alignment Pin (Metal or plastic at Samtec's discretion) (5 positions minimum) (-D only)

-M
= Metal Pick & Place Pad (4 positions minimum) (-D only)

-P
= Pick & Place Pad (3 positions minimum)

-TR
= Tape & Reel Pkg. (3 positions minimum)

-S

-D

-D

-S

-P

-M

Note: Some lengths, styles and options are non-standard, non-returnable.

Due to technical progress, all designs, specifications and components are subject to change without notice.

WWW.SAMTEC.COM