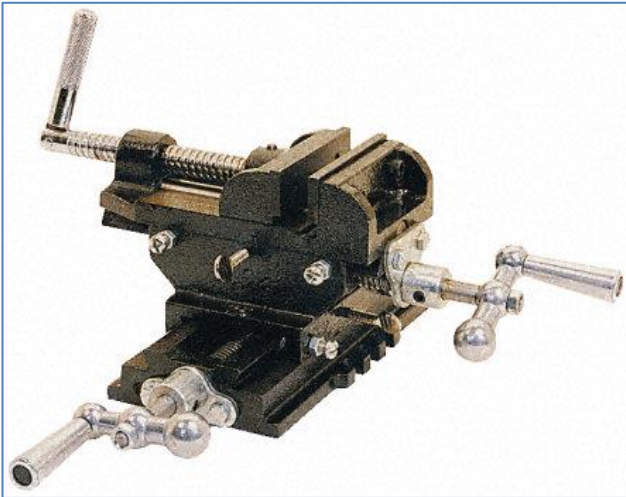


## Datasheet

# Milling Vice

RS Stock number [105-192](#)

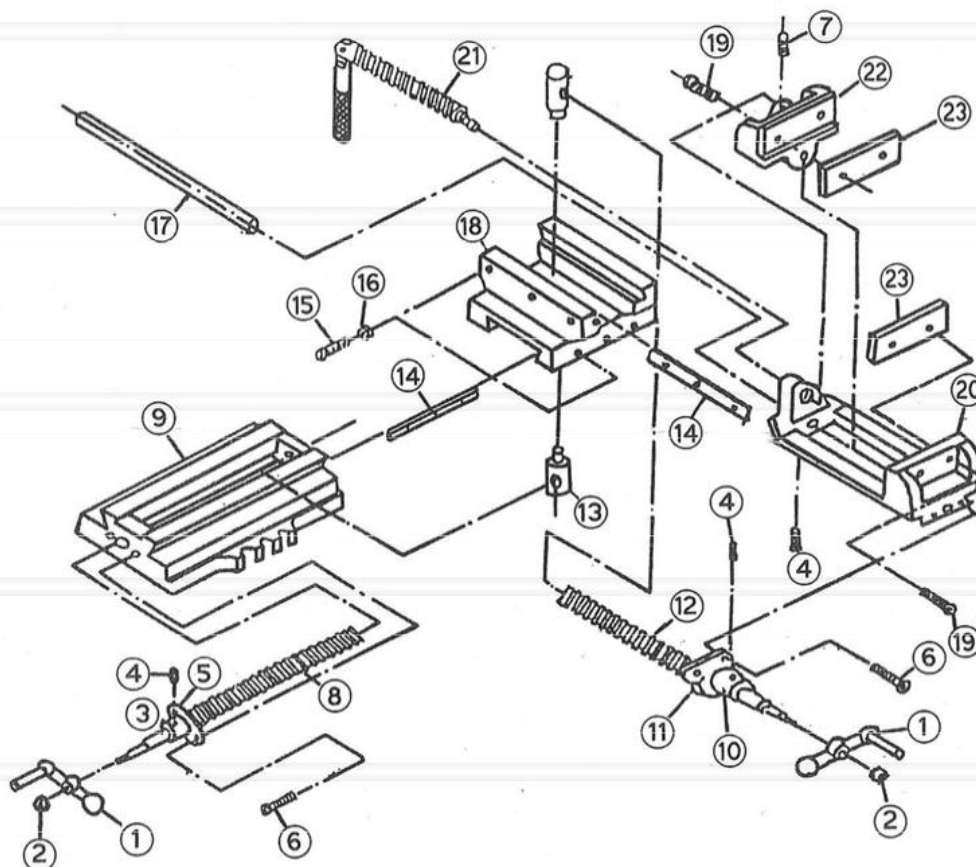


### Description:

General purpose cross vice, with 72mm width steel jaws.  
When used with a pillar drill will turn it into a light vertical milling machine  
Easy wind movement in two directions  
Hardened and ground steel jaws

### Specifications:

Jaw Depth:	39 mm
Jaw Opening:	94 mm
Jaw Width:	102 mm
Mounting:	Bolts
Type:	Milling Vice
Weight:	10 kg



NO.	DESCRIPTION	QTY	NO.	DESCRIPTION	QTY	NO.	DESCRIPTION	QTY
1	HANDLE	2	9	BASE	1	17	CENTRAL SLIND BAR	1
2	NUT	2	10	BUSHING	1	18	MID — BASE	1
3	BUSHING	1	11	BRACKET	1	19	LOCK SCREW	4
4	SCREW	3	12	LEAD SCREW	1	20	UPPER — BASE	1
5	BRACKET	1	13	NUT	1	21	LEAD SCREW	1
6	LOCK SCREW	4	14	GIB	2	22	SLIDE	1
7	SCREW	1	15	SCREW	6	23	JAWPLATE	2
8	LEAD SCREW	1	16	NUT	6			