

## SAC-3P-Y/2XFS B PE SCO

Order No.: 1523968



<http://eshop.phoenixcontact.de/phoenix/treeViewClick.do?UID=1523968>

Y-distributor, 3-pos. +PE, straight connector M12 SPEEDCON on 2 x straight socket M12 SPEEDCON, PIN 2+4, bridged

### Commercial data

GTIN (EAN)	4046356072960
sales group	D116
Pack	5 pcs.
Customs tariff	85366990
Weight/Piece	0.02917 KG
Catalog page information	Page 104 (PC-2009)

### Product notes

WEEE/RoHS-compliant since:  
11/16/2006



<http://www.download.phoenixcontact.com>  
Please note that the data given here has been taken from the online catalog. For comprehensive information and data, please refer to the user documentation. The General Terms and Conditions of Use apply to Internet downloads.

### Technical data

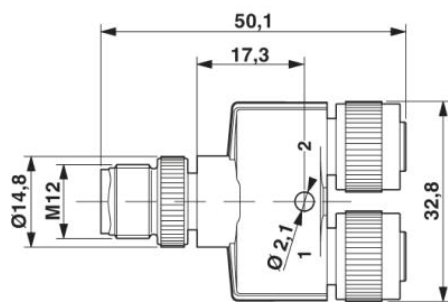
#### General data

Rated current at 40°C	4 A
Rated voltage	60 V
Number of positions	3
Volume resistance	≤ 5 mΩ
Insulation resistance	≥ 10 GΩ

Ambient temperature (operation)	-25 °C ... 90 °C
<b>General characteristics</b>	
Standards/regulations	M12 male connector IEC 61076-2-101
Coding	A - standard
Surge voltage category	II
Pollution degree	3
Degree of protection	IP65/IP68/IP69K
Contact material	CuZn
Contact surface material	Ni/Au
Contact carrier material	TPU GF
Material of grip body	TPU, hardly inflammable, self-extinguishing
Material, knurls	Zinc die-cast, (nickel-plated)
Sealing material	NBR
Status display	No

**Diagrams/Drawings**

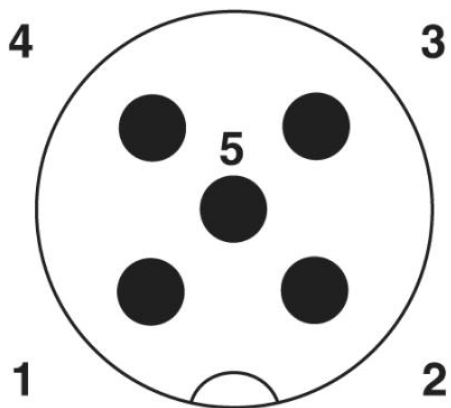
Dimensioned drawing



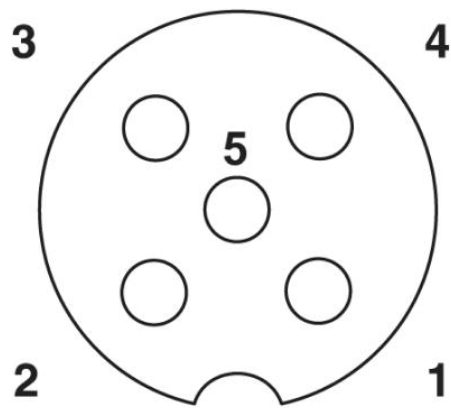
Plug M12 x 1, Y distributor

Schematic diagram

---



Pin assignment M12 male connector, 5-pos., A-coded, male side



Pin assignment M12 socket, 5-pos., A-coded, socket side view

**Address**

PHOENIX CONTACT Ltd  
Halesfield 13  
Telford Shropshire TF7 4PG,GB  
Phone 01952 681 700  
Fax 01952 681 799  
<http://www.phoenixcontact.co.uk>



© 2010 Phoenix Contact  
Technical modifications reserved;