

# Thermoplastic socket outlet

## USA/Canadian standard

UL12500





### General information

Item number	UL12500
Model	Thermoplastic socket outlet
Colour	black

### Electrical parameters

Amperage	15A
Voltage	125V
Poles	2P + PE

### Standards/Directives

According to	UL498 , NEMA 5-15 R , CSA 22.2 Nr.42
Standard	USA/Canadian standard
Certification marks	 

### Operating conditions

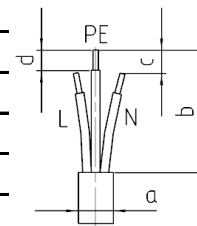
Storage temperature	-25°C to +70°C
Operating temperature	-25°C to +40°C
Relative humidity	5 to 95%, no condensation
Degree of protection	IP54

### Materials

Contact Carrier	PA
Housing	PA

### Connecting cable

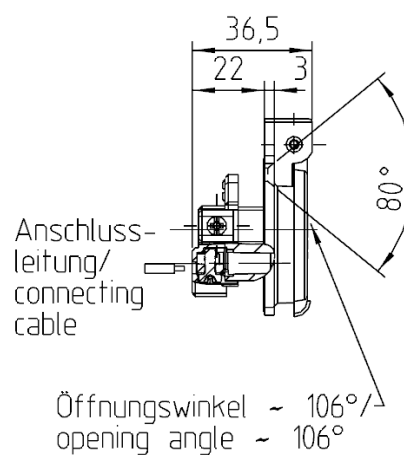
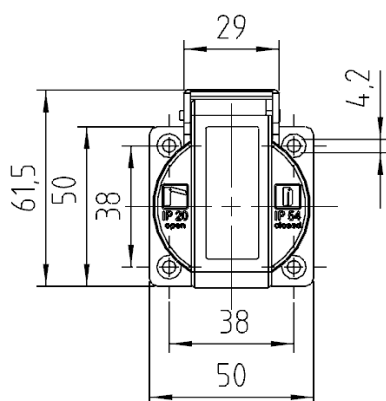
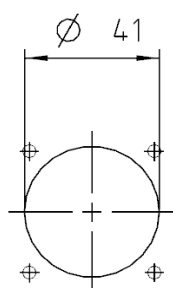
Cross section	3x1,5mm <sup>2</sup> -3x4,0 mm <sup>2</sup> , AWG16-12
Cable diameter, dimension a	arbitrary
Insulation strip length sheath, dimension b	min. 20mm
Trim L/N, dimension c	0mm
Insulation strip length cores, dimension d	8-10mm



### Connection screws

Max. torque for screws L-N/PE	0,8Nm
Screw drive L-N/PE	Combined slot/PZ2

Subject to modifications



If the application requires extended specifications, we recommend to test the application under real or simulated conditions. Parameters like duration, quantity and temperature will effect the result significantly