

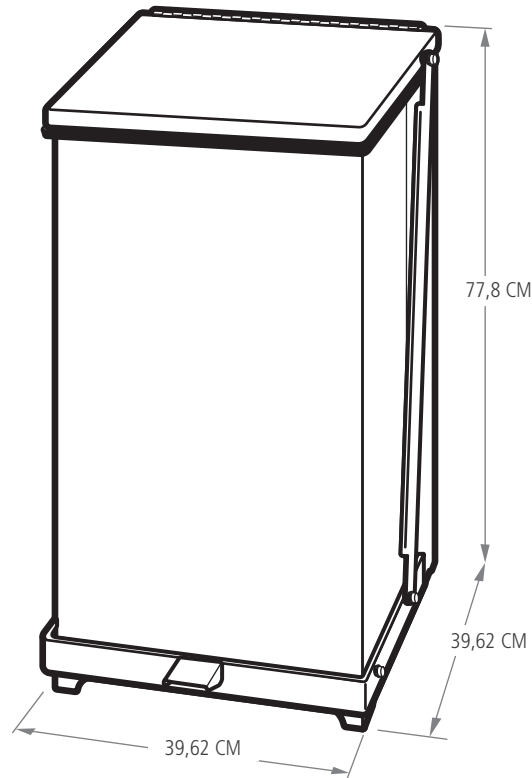


DEFENDERS® SQUARE

The Defenders® decorative refuse container is an ideal indoor waste receptacle for hospitals, doctors' offices and other healthcare facilities. The step-on foot pedal enables hands-free operation, optimizing sanitary efforts.

Features and Benefits:

- Heavy-gauge, fire-safe steel
- Leak-proof rigid plastic liner included to contain liquids and keep the surrounding area cleaner
- Retainer bands discreetly hold liner bags in place and out of sight
- Restraint mechanism protects walls
- Optional dampened-controlled lid for quiet operation
- Shipped fully assembled



DEFENDERS SQUARE

SKU #	DESCRIPTION	COLOUR	LENGTH CM	WIDTH CM	HEIGHT CM	PACK SIZE
FGST12EPLWH	DEFENDERS SQ STEP CAN 25L	□	30,48	30,48	58,42	1
FGST24EPLWH	DEFENDERS SQ STEP CAN 49L	□	39,62	39,62	77,80	1
FGST24SSPL	DEFENDERS SQ STEP CAN 49L	■	39,62	39,62	77,80	1
FGST24EPLRD	DEFENDERS SQ STEP CAN 49L	■	39,62	39,62	77,80	1
FGST40EPLRD	DEFENDERS SQ STEP CAN 95L	■	48,01	48,01	78,26	1
FGST40EPLWH	DEFENDERS SQ STEP CAN 95L	□	48,01	48,01	78,26	1
FGST40SSPL	DEFENDERS SQ STEP CAN 95L	■	48,01	48,01	78,26	1

SHIPPING INFORMATION

SKU #	COUNTRY OF ORIGIN	EAN PRODUCT CODE	BARCODE CARTON	CUSTOM CODE	CARTON DIMENSIONS (CM)	WEIGHT	VOLUME M3
FGST12EPLWH	USA	97591074053	97591074053	7323999060	45,72 x 45,72 x 64,77	9,435	0,135
FGST24EPLWH	CHINA	97591074114	97591074114	7323999080	48,54 x 48,54 x 83,21	15.34	0,196
FGST24SSPL	CHINA	97591074084	97591074084	7323930080	48,54 x 48,54 x 83,21	14.515	0,196
FGST24EPLRD	CHINA	97591002469	97591002469	7323999080	48,54 x 48,54 x 83,21	15.876	0,196
FGST40EPLRD	CHINA	97591002452	97591002452	7323999080	60,43 x 55,47 x 85,19	18.234	0,285
FGST40EPLWH	CHINA	97591074176	97591074176	7323999080	60,43 x 55,47 x 85,19	20.865	0,285
FGST40SSPL	CHINA	97591074145	97591074145	7323930080	60,43 x 55,47 x 85,19	18.234	0,285

