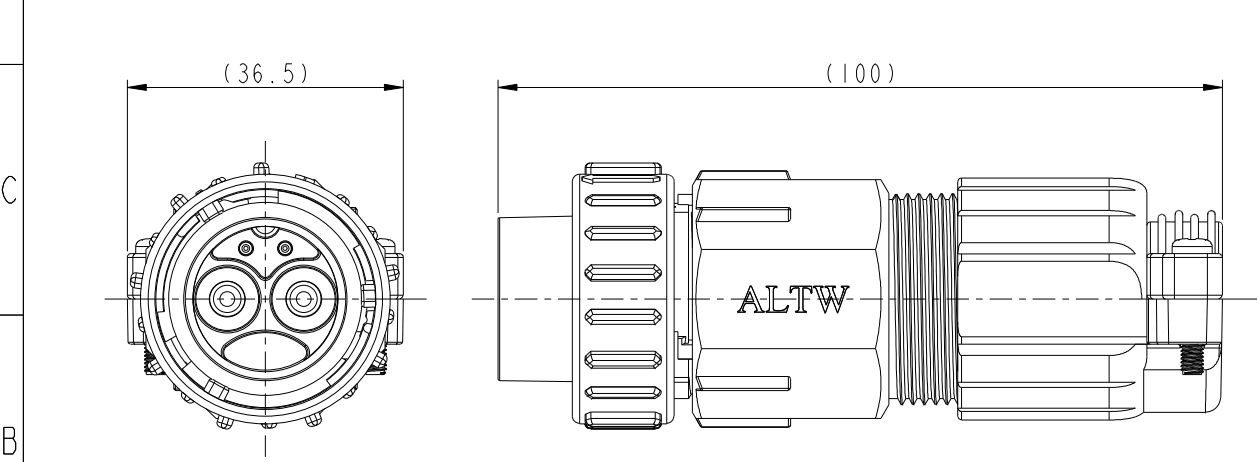
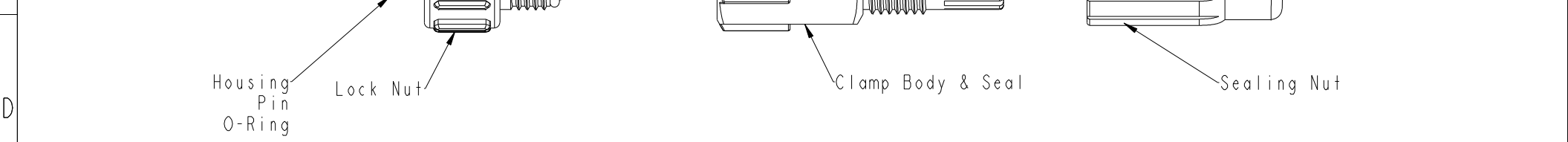
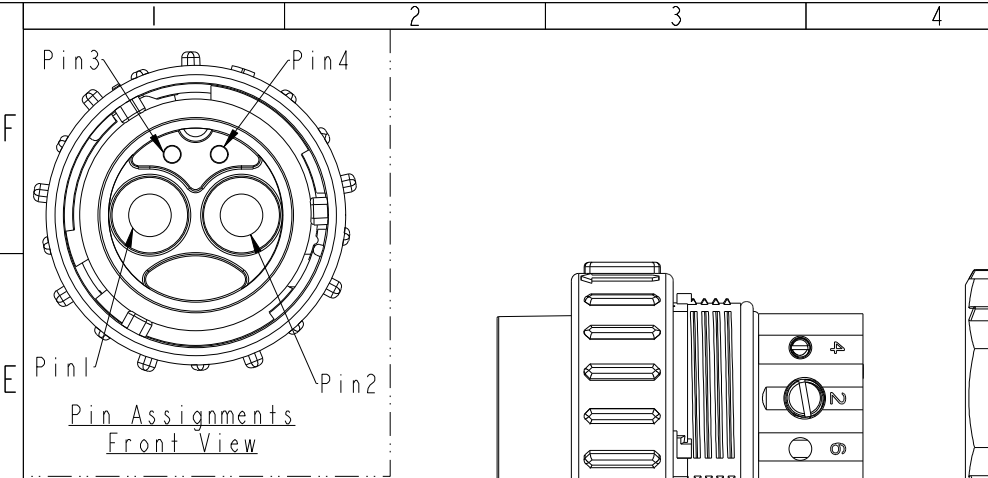


THIS DOCUMENT IS SUBJECT TO CHANGE WITHOUT NOTICE. IT IS CONFIDENTIAL AND A PROPERTY OF Amphenol LTW. DISCLOSURE TO THIRD PARTY HAS TO BE AUTHORIZED BY Amphenol LTW.

REV.	ECN NO.	DATE	SIGN	DESCRIPTION
A		2019/11/29	NianPing Yu	New initial



Notes:

- * Waterproof Rate: IP67(Mated).
- * Housing: Thermoplastic, Black.
- * Pin: Copper Alloy, Gold Plated
- * O-Ring: Rubber.
- * Lock Nut: Thermoplastic, Black.
- * Clamp Body: Thermoplastic, Black.
- * Seal: Rubber.
- * Sealing Nut: Thermoplastic, Black.
- * Nut Plate: Thermoplastic, Black.
- * Screw: Metal.
- * Other:

Recommended Cable OD: $\varnothing 14.5 \sim \varnothing 19.0$ mm.
 Recommended Wire Spec:
 Conductor: 8 AWG~9 AWG($8.37\text{mm}^2 \sim 6.63\text{mm}^2$)
 Insulation OD: 6.8mm Max.
 Recommended Wire Spec(Signal):
 Conductor: 20 AWG~22 AWG($0.52\text{mm}^2 \sim 0.32\text{mm}^2$)
 Insulation OD: 3.0mm Max.
 Current Rating: 50A(Power), 1A(Signal).
 Voltage Rating: 600V(Power), 30V(Signal).

UNIT:mm TOLERANCE ± 0.5 mm		TITLE PWR, 50+2A, 04P, CABLE W/O SR F, M, FISCREWIN, 3LOCK	<h1>Amphenol LTW</h1> 安費諾亮泰企業股份有限公司		ITEM NO PWMU-04BFMB-TL7001	DRAWN BY NianPing Yu	DATE 2019/11/29
		SCALE 1:1			SIZE A4	SHEET 1	OF 1
REV. A	WC-REV. .0	QC: Inspection item	ALTW		CUSTOMER ALTW	APPROVED BY Max Yang	DATE 2019/11/29