

# SPECIFICATION FOR APPROVAL

## 承 認 書

Description : Magnetic Buzzer  
Kingstate Part No. : KTG1212C  
Customer's Model No. : \_\_\_\_\_  
Specification No. : TKS-7205  
Number Of The Edition : 1.6

| CUSTOMER'S APPROVED SIGNATURE |  |  |
|-------------------------------|--|--|
|                               |  |  |

志豐電子股份有限公司 KINGSTATE ELECTRONICS CORP.

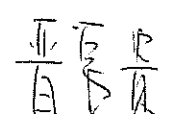
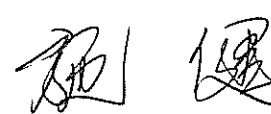


Address: 10F, No. 69-11, Sec. 2, Chung Cheng E. Rd., Tamshui County, Taipei Hsien, Taiwan, R.O.C.

International sales dept.: TEL:886-2-2809-5651 FAX:886-2-2809-7151

Domestic sales dept.: TEL:886-2-2809-0668 FAX:886-2-28096748

<http://www.kingstate.com.tw>

| Approved by   | Checked by   | Issued by          |
|---|--|--------------------|
| <br>89.12.29 | <br>12/22 | Merry<br>12/22/09' |

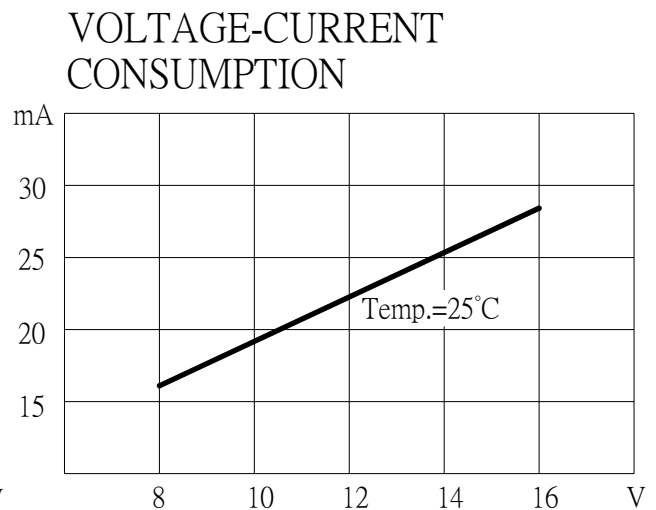
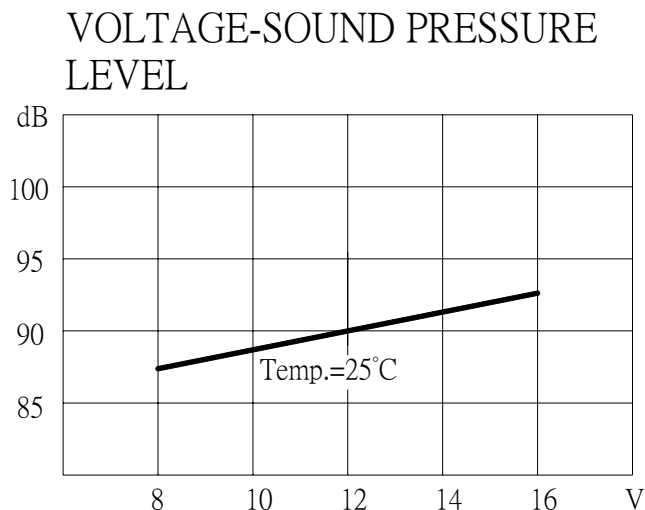
## A. SCOPE 範疇

This specification applies magnetic buzzer, **KTG1212C**  
 此規格書適用於電磁式蜂鳴器, **KTG1212C**

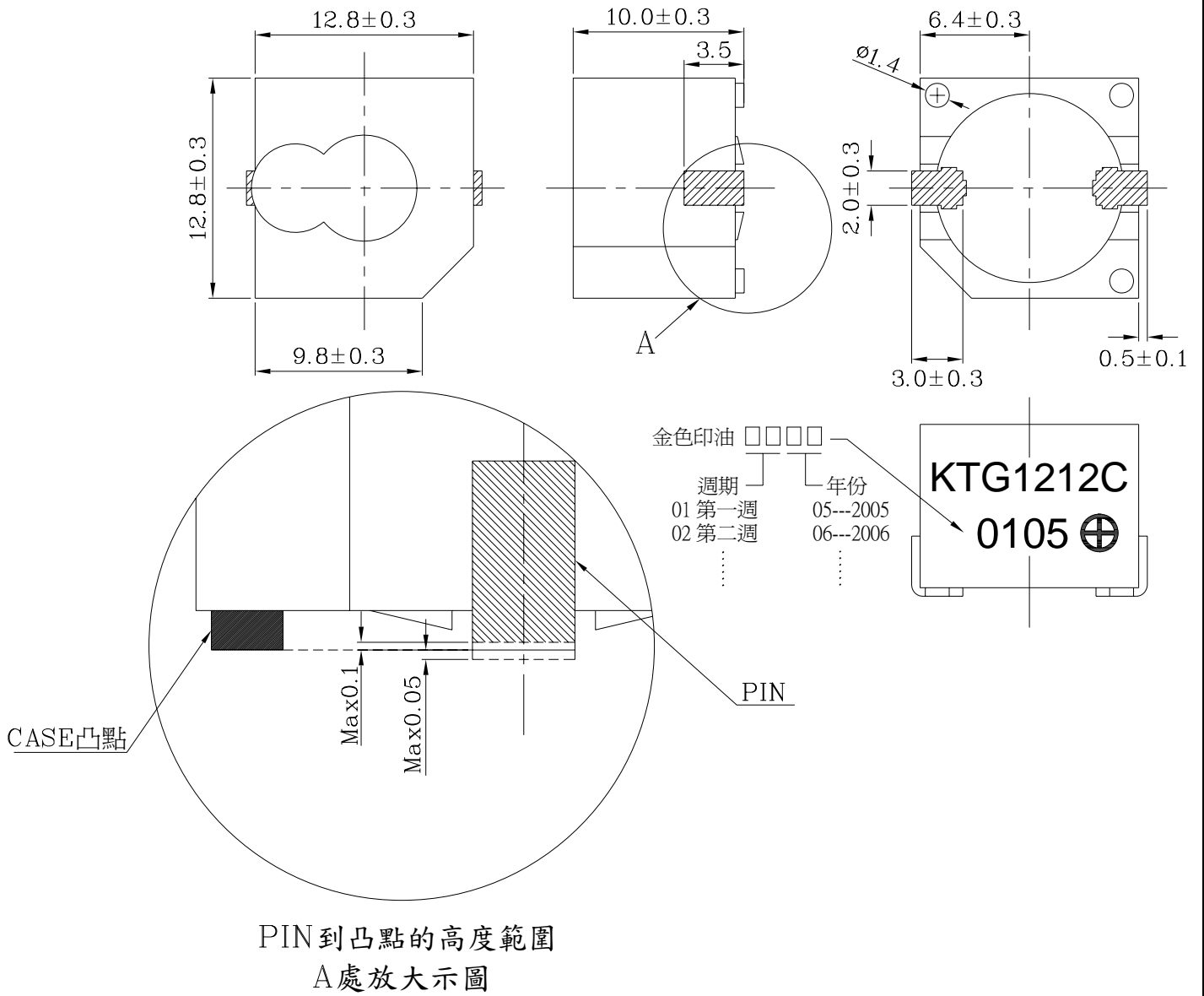
## B. SPECIFICATION 規格

| No. | Item   | Unit            | Specification                | Condition  |
|-----|--|-----------------|------------------------------|--|
| 1   | Rated Voltage<br>額定電壓                          | V <sub>DC</sub> | 12.0                         |  |
| 2   | Operating Volt.<br>操作電壓                        | V <sub>DC</sub> | 8.0~15.0                     |  |
| 3   | Mean Current<br>平均耗電流                          | mA              | Max. 30                      |  |
| 4   | Sound Output<br>輸出音壓                           | dBA             | Min.85<br>(Typical 90)       | Distance at 10cm(A-weight free air). Applying rated voltage .<br>在自由音場 10 公分處, 施以額定電壓.     |
| 5   | Resonant Frequency<br>諧振頻率                     | Hz              | 2400 ± 300                   |  |
| 6   | Operating Temp.<br>操作溫度                        | °C              | -30 ~ +70                    |  |
| 7   | Storage Temp.<br>儲存溫度                          | °C              | -40 ~ +85                    |  |
| 8   | Dimension<br>尺寸                                | mm              | L12.8 x W12.8 x H10.0        | See attached drawing.<br>請參照外觀尺寸圖  |
| 9   | Weight<br>重量                                   | gram            | 2.0                          |  |
| 10  | Material<br>材質                                 |                 | PPS (Gray)                   |  |
| 11  | Terminal<br>端子                                 |                 | SMD type<br>(鍍全錫/Plating Sn) | See attached drawing.<br>請參照外觀尺寸圖  |
| 12  | Environmental<br>Protection Regulation<br>環保法規 |                 | RoHS                         |  |
| 13  | Storage life<br>保存期限                           | month           | 6                            | 6 months preservation at room temp.(25±3°C), Humidity40%<br>在室溫下 25±3°C, 濕度 40%以下可保存 6 個月. |

## C. TYPICAL FREQUENCY RESPONSE CURVE 頻率響應曲線

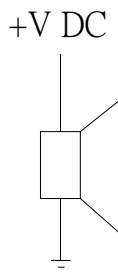


**D. APPEARANCE DRAWING 外觀尺寸圖**



**Tol:  $\pm 0.5$**   
**Unit: mm**

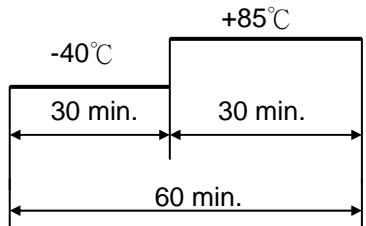
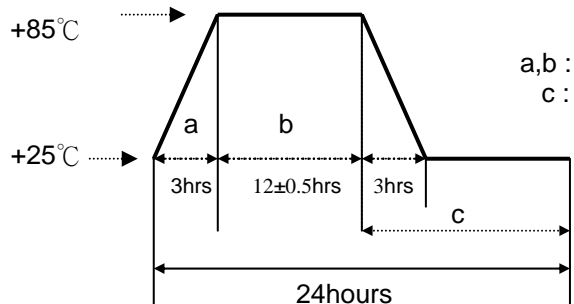
**E. MEASUREMENT METHOD 測量方式**



## F. MECHANICAL CHARACTERISTICS 機械特性

| No. | Item                                 | Test condition  | Evaluation standard  |
|-----|--------------------------------------|---|--|
| 1   | Solderability<br>焊錫附著性               | Lead terminals are immersed in solder bath of $+270\pm 5^{\circ}\text{C}$ for $3\pm 1$ second.<br>端子置於錫膏內,錫膏溫度: $+270\pm 5^{\circ}\text{C}$ . 焊接時間: $3\pm 1$ 秒.   | 95% surface of lead pads must be covered with fresh solder<br>錫膏須覆蓋端子上方 95%  |
| 2   | Soldering Heat Resistance<br>焊錫耐熱性   | The product is followed the reflow temperature curve to test its reflow thermo stability.<br>產品依照迴焊溫度曲線測試迴焊耐熱性.   | No interference in operation<br>操作上無任何不良   |
| 3   | Terminal Mechanical Strength<br>端子強度 | Lead pads shall be soldered on the pc board, and the force 9.8N (1.0kg) shall be applied behind the part for 10 seconds.<br>將端子焊在 PC 板上後,對單體施以 9.8N(1.0kg)拉力 10 秒.  | No damage and cutting off<br>端子不鬆動, 不脫落.   |
| 4   | Vibration<br>振動測試                    | Buzzer shall be measured after being applied vibration of amplitude of 1.5mm with 10 to 55hz band of vibration frequency to each of 3 per-pendicular directions for 2 hours.<br>振動週波數 10~55HZ、全振幅 1.5mm 於 X.Y.Z 3 個方向,各 2 小時. | After the test the part shall meet specifications with-out any damage in appearance and the SPL should be in $\pm 10\text{dBA}$ compared with initial one. |
| 5   | Drop test<br>落下測試                    | The part only shall be dropped from a height of 75cm onto a 40mm thick wooden board 3 times in 3 axes (X.Y.Z). (a total of 9 times).<br>單體從 75 公分高處, X.Y.Z.3 個方向,各 3 回,落於 40mm 厚木板上.  | 經測試後,單體除音壓外,外觀及電氣特性須符合規格. 輸出音壓變化量須在 $\pm 10\text{dBA}$ 內   |

## G. ENVIRONMENT TEST 環境測試

| No. | Item                               | Test condition   | Evaluation standard  |
|-----|------------------------------------|--|--|
| 1   | High temp. test<br>高溫測試            | After being placed in a chamber at $+85^{\circ}\text{C}$ for 96 hours.<br>置於 $+85^{\circ}\text{C}$ 環境中 96 小時   | After the test the part shall meet specifications with-out any degradation in appearance and performance except SPL. after 4 hours at $+25^{\circ}\text{C}$ . the SPL should be in $\pm 10\text{dBA}$ compared with initial one. |
| 2   | Low temp. test<br>低溫測試             | After being placed in a chamber at $-40^{\circ}\text{C}$ for 96 hours.<br>置於 $-40^{\circ}\text{C}$ 環境中 96 小時   |  |
| 3   | Thermal Shock<br>熱衝擊試驗             | The part shall be subjected to 10 cycles. One cycle shall consist of;<br>對單體施以熱衝擊試驗 10 次循環,其循環內容如圖示<br>                   |  |
| 4   | Temp./ Humidity Cycle<br>溫度/溼度循環測試 | The part shall be subjected to 10 cycles. One cycle shall be 24 hours and consist of;<br>單體承受溫度/溼度循環測試 10 次. 其循環內容如圖示<br> | 經測試後,靜置於 $+25^{\circ}\text{C}$ (室溫)環境中 4 小時後,單體除音壓外,外觀及電氣特性須符合規格. 輸出音壓變化量須在 $\pm 10\text{dBA}$ 內.  |

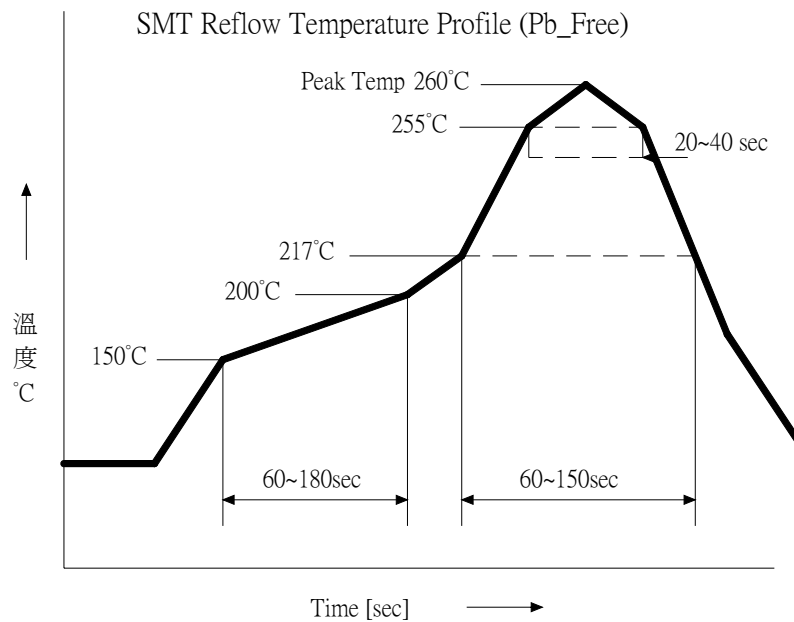
## H. RELIABILITY TEST 信賴性測試

| No. | Item                        | Test condition  | Evaluation standard  |
|-----|-----------------------------|---|--|
| 1   | Operating life test<br>壽命測試 | <p>1. Continuous life test 高溫壽命測試(連續)<br/>The part shall be subjected to 72 hours at +55°C with 12.0VDC applied.<br/>在+55°C環境下, 輸入 12.0VDC, 連續操作 72 小時.</p> <p>2. Intermittent life test 室溫壽命測試(間歇).<br/>A duty cycle of 1 minute on, 1 minutes off, a minimum of 10000 times at room temp. (+25±10°C) with 12.0VDC applied.<br/>在室溫下(+25±10°C), 輸入 12.0VDC, 通電 1 分鐘/斷電 1 分鐘, 測試 10000 次循環.</p> | <p>After the test the part shall meet specifications with-out any degradation in appearance and performance except SPL after 4 hours at +25°C. the SPL should be in ±10dBA compared with initial one.</p> <p>經測試後, 靜置於+25°C (室溫) 環境中 4 小時後, 單體除音壓外, 外觀及電氣特性須符合規格. 輸出音壓變化量須在±10dBA 內.</p> |

### TEST CONDITION.

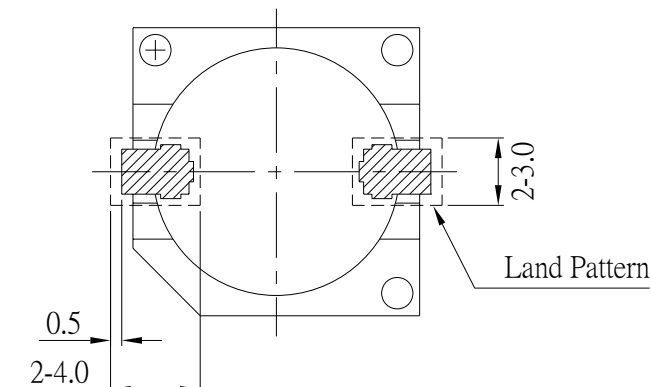
|                          |   |                             |                      |                            |
|--------------------------|---|-----------------------------|----------------------|----------------------------|
| Standard Test Condition  | : | a) Temperature : +5 ~ +35°C | b) Humidity : 45-85% | c) Pressure : 860-1060mbar |
| 一般測試條件                   | : | a) 溫度 : +5 ~ +35°C          | b) 濕度 : 45-85%       | c) 氣壓 : 860-1060mbar       |
| Judgement Test Condition | : | a) Temperature : +25 ± 2°C  | b) Humidity : 60-70% | c) Pressure : 860-1060mbar |
| 爭議時測試條件                  | : | a) 溫度 : +25 ± 2°C           | b) 濕度 : 60-70%       | c) 氣壓 : 860-1060mbar       |

## I. Recommended Temperature Profile For Reflow Oven 建議迴焊爐溫度曲線

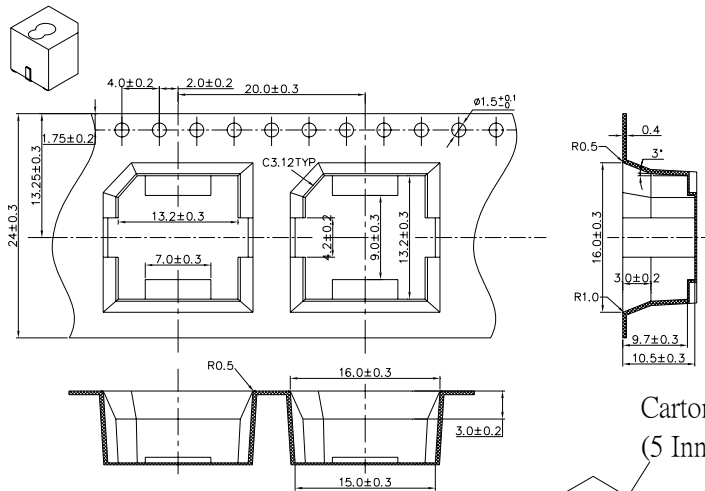
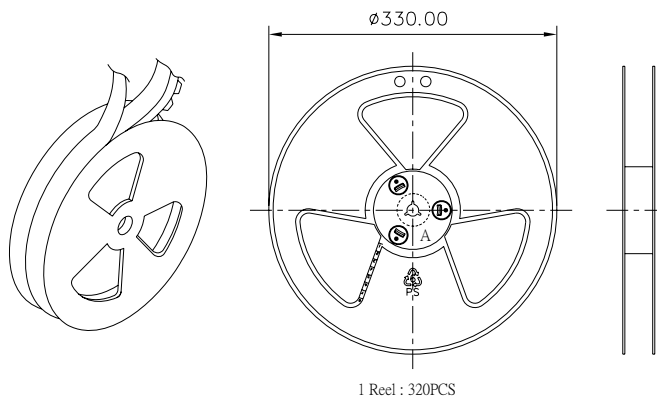
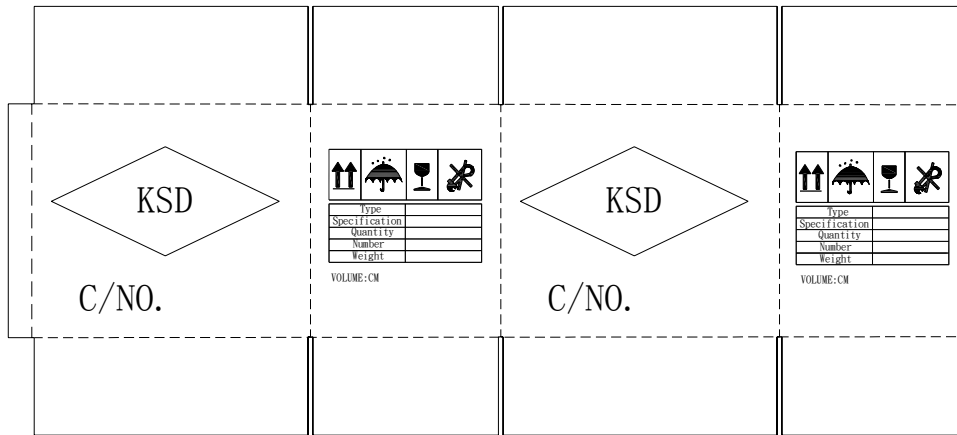


## J. Recommended land pattern 建議基板設計尺寸圖

### Recommendable Land Pattern

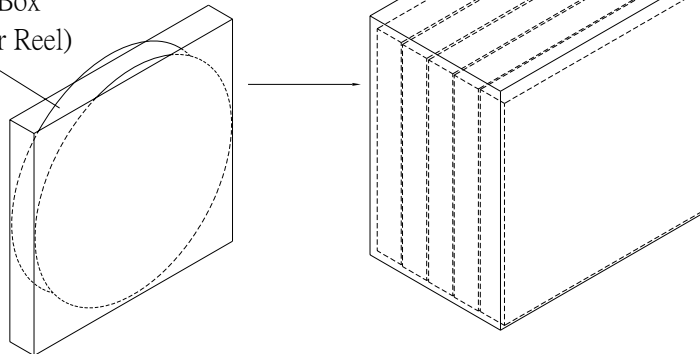


# K. PACKING STANDARD 包裝規格



Carton Box  
(5 Inner Box)

Inner Box  
(1 Layer Reel)



|            |                   |                   |
|------------|-------------------|-------------------|
| Inner Box  | 340mmx340mmx33mm  | 1x320PCS=320PCS   |
| Carton Box | 350mmx175mmx355mm | 5x320PCS=1,600PCS |