

Bourdon tube pressure gauges, liquid filled,

Modelcode type: 213.53.0XX

Item number: 82496021

Description

| | |
|------------------|------------|
| Design according | EN 837-1 |
| Accuracy class | class 1.6 |
| Scale range | 0...40 MPa |

Constructional design

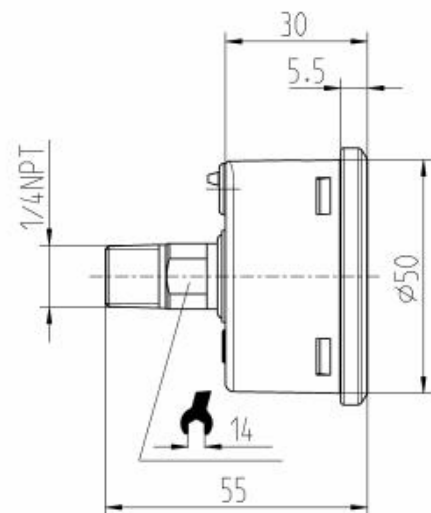
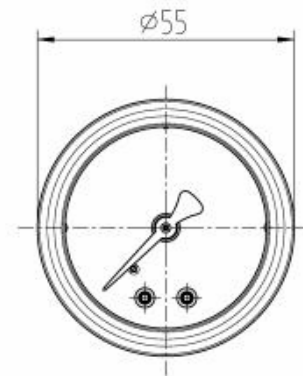
| | |
|--------------------|-------------------------------|
| Process connection | 1/4 NPT |
| Connector location | back mount |
| Pressure element | Copper alloy |
| Movement | Copper alloy |
| Case | Crimp ring case (version 53) |
| Nominal size | 050 mm |
| Restrictor | brass, D 0.5 |
| Case filling fluid | glycerine |
| Pointer | plastic, black |
| Window | plastic, clear |
| Dial | plastic, white, with stop-pin |

Operating conditions

| | |
|---|-------------------------------------|
| Pressure limitation | Steady: 3/4 x full scale value |
| | Fluctuating: 2/3 x full scale value |
| | Short time: Full scale value |
| Permissible ambient temperature | -20 ... +60 °C |
| Permissible medium temperature | +60°C maximum |
| Temperature effect when the temperature deviates from the reference temperature (+20°C) | Max. +/-0.4 %/10 K of the span |
| Ingress protection | IP 65 |

Dial description:

| | |
|-----------------------------|-------|
| Pressure Gauge Standard | China |
| color for 1.scale (outside) | black |
| dial background | White |



Bourdon tube pressure gauges, liquid filled,

Modelcode type: 213.53.0XX

Item number: 82496021

| | |
|------------------------|---------------------------|
| Manufacturer logo | *WIKA* |
| stop pin on dial | at zero |
| norm-mark on dial | *EN 837-1* |
| safetymark on dial | *S* |
| accuracy class on dial | *Cl.1.6* |
| CE mark on dial | *UKCA* *CE* model * ... * |

Labelcode

| | |
|-----------------------|---------------|
| Label | WIKA standard |
| language of the label | German |