

pipe individually, Length 250 mm, accessory for signaling columns, with diameters 50 mm and 70 mm



General technical data	
Product brand name	SIRIUS
Product designation	Pipe
Material	aluminum
Color	silver
Reference code	
<ul style="list-style-type: none"> <li>• acc. to DIN EN 61346-2</li> </ul>	U
<ul style="list-style-type: none"> <li>• acc. to DIN EN 81346-2</li> </ul>	U
Mechanical data	
Length of the mounting pipe	250 mm
Ambient conditions	
Height	250 mm
Width	25 mm
Certificates/ approvals	

General Product Approval

EMC

Shipping Approval



other

[Confirmation](#)

Further information

**Information- and Downloadcenter (Catalogs, Brochures,...)**

[www.siemens.com/sirius/catalogs](http://www.siemens.com/sirius/catalogs)

**Industry Mall (Online ordering system)**

<https://mall.industry.siemens.com/mall/en/en/Catalog/product?mlfb=8WD4308-0EA>

**Cax online generator**

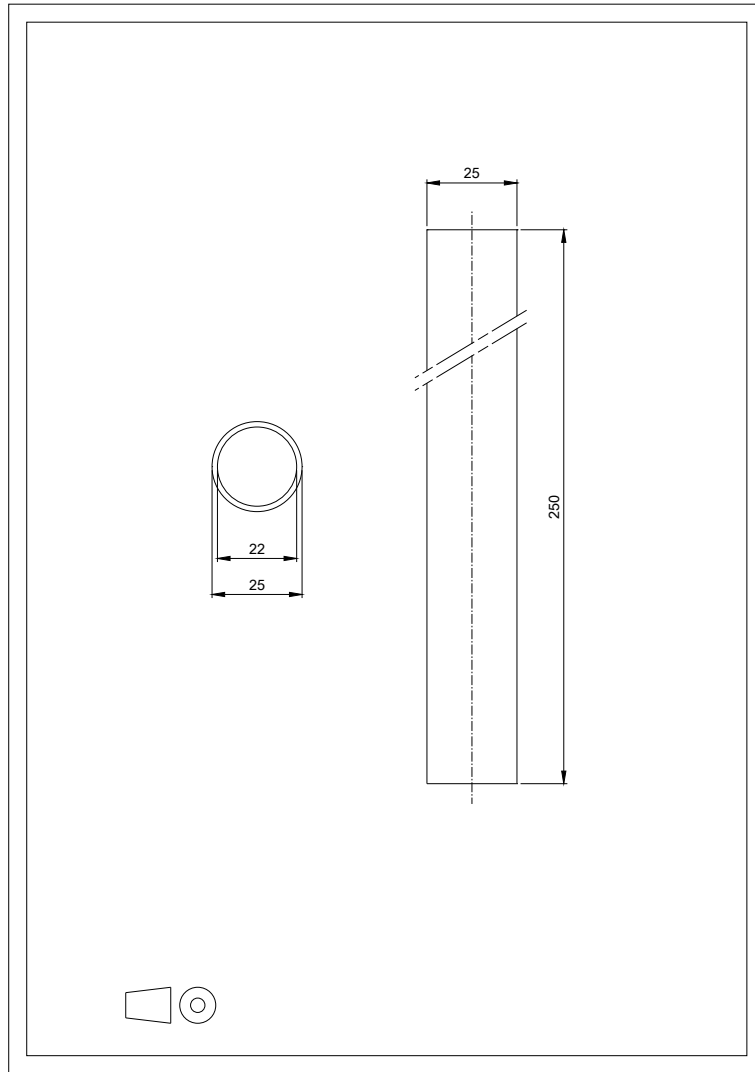
<http://support.automation.siemens.com/WW/CAXorder/default.aspx?lang=en&mlfb=8WD4308-0EA>

**Service&Support (Manuals, Certificates, Characteristics, FAQs,...)**

<https://support.industry.siemens.com/cs/ww/en/ps/8WD4308-0EA>

**Image database (product images, 2D dimension drawings, 3D models, device circuit diagrams, EPLAN macros, ...)**

[http://www.automation.siemens.com/bilddb/cax\\_de.aspx?mlfb=8WD4308-0EA&lang=en](http://www.automation.siemens.com/bilddb/cax_de.aspx?mlfb=8WD4308-0EA&lang=en)



last modified:

04/14/2020