

DATE: 2025/3/19 (YY/MM/DD)

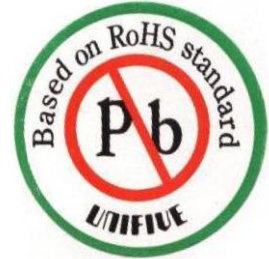
Customer : ASKA ELECTRIC SERVICE CO.,LTD.

Confidential

APPROVAL SHEET

RoHS Compliant

PRODUCT : AC/DC ADAPTOR
MODEL : UMVUU3024-240010SA
PART NO. : JASK-0677PZD
VER. : 250319 V1
CUSTOMER NO. :



| |
|-------------------------------|
| Receiver's stamp or signature |
| |

PLEASE APPROVE & RETURN BEFORE 2025/4/2
OR WE WOULD REGARD IT BEEN CONFIRMED.

| RESPONSIBLE | APPROVED | ISSUED |
|------------------|------------------|------------------|
| 楊全亮 2025/3/19 | 楊紅梅 2025/3/19 | 李文珍 2025/3/19 |

「 Due to market conditions or safety regulations change, we may submit your request for a change in parts or safety specifications.

If you have not placed an order for more than two years, we will not initiate these changes until we receive a new order from you, and we will reconfirm it and get back to you as to whether you can continue production or need to make changes. 」

「 No part of this specification may be reproduced or reprinted in any form or by any means without the prior written permission of the Company. 」

「 The disclaimer applicable to the product described in this specification document is stated on

<https://en.unifive.com/quality-assurance.html>

Signing back this specification document will be considered as agreeing to the disclaimer. 」

UNIFIVE

UNIFIVE CO., LTD

CONTENTS :

1.INPUT SPECIFICATION

2.OUTPUT SPECIFICATION

3.MECHANICAL

4.RELIABILITY

5.ENVIRONMENT

6.OUTLOOKING

7.QC CHECK

8.STANDARD

9.PRODUCT DRAWING

10.PACKING

11.LABEL

UNIFIVE

1.INPUT SPECIFICATION

| ITEM | SPECIFICATION | MIN | TYPICAL | MAX |
|------------------------|---|--------|------------|--------|
| AC INPUT VOLTAGE | SINGLE PHASE | | 100/240Vac | |
| AC INPUT VOLTAGE RANGE | SINGLE PHASE | 90Vac | | 264Vac |
| AC INPUT FREQUENCY | SINGLE PHASE | 47Hz | 50/60Hz | 63Hz |
| AC INPUT CURRENT | TYPICAL INPUT VOLTAGE 100Vac & OUTPUT AT FULL LOAD. | | 0.5A | 0.6A |
| | TYPICAL INPUT VOLTAGE 240Vac & OUTPUT AT FULL LOAD. | | 0.26A | 0.3A |
| AC INRUSH CURRENT | TYPICAL INPUT VOLTAGE & FOR A COLD START AT 25°C. | | | 80A |
| EFFICIENCY | ACCORDING TO DOE VI | 86.20% | | |
| STAND BY CONSUMPTION | ACCORDING TO DOE VI | | | 0.1W |
| LEAKAGE CURRENT | MAX INPUT VOLTAGE | | | 0.1mA |

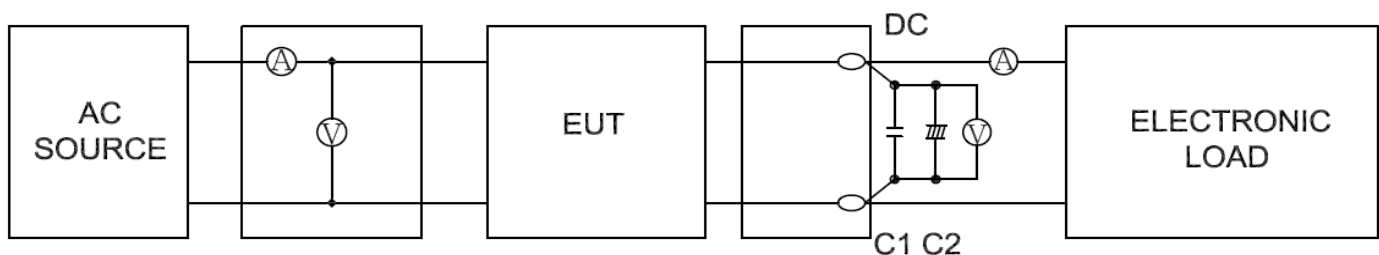
2.OUTPUT SPECIFICATION

| ITEM | SPECIFICATION | MIN | TYPICAL | MAX |
|---------------------------|--|---------|---------|---------|
| NOMINAL DC OUTPUT VOLTAGE | | | 24Vdc | |
| DC OUTPUT VOLTAGE RANGE | TYPICAL OUTPUT VOLTAGE | 22.8Vdc | | 25.2Vdc |
| LOAD CURRENT | | | | 1A |
| RIPPLE | TYPICAL INPUT VOLTAGE , FULL LOAD CURRENT , 25°C | | | 240mV |
| NOISE | TYPICAL INPUT VOLTAGE , FULL LOAD CURRENT , 25°C | | | 240mV |
| HOLD-UP TIME | AT TYPICAL INPUT VOLTAGE AND FULL LOAD ,50Hz | 10mS | | |
| TURN-ON DELAY | TYPICAL INPUT VOLTAGE AND FULL LOAD CURRENT | | | 3S |
| DYNAMIC TEST | TYPICAL INPUT VOLTAGE,20%-80% LOAD,TH 5mS TL 5mS, 100mA/uS | 21.6Vdc | | 26.4Vdc |

PROTECTION

| | |
|--------------------------|---|
| OVER CURRENT PROTECTION | AUTO RECOVERY, THE MINIMUM POSSIBLE PROTECTION POINT IS 105% OF THE RATED LOAD AT TYPICAL INPUT VOLTAGE |
| SHORT CIRCUIT PROTECTION | THE ADAPTOR SHALL NOT DAMAGE BY SHORT TO THE DC OUTPUT GROUND |
| OVER VOLTAGE PROTECTION | AUTO RECOVERY , AT TYPICAL INPUT VOLTAGE |

TEST MEASURES



C1: 0.1uF CERAMICS CAPACITOR

C2: 10uF LOW ESR ALUMINUM CAPACITOR

THE BANDWIDTH OF OSCILLOSCOPE IS SET WITH 20MHz

3.MECHANICAL

| ITEM | SPECIFICATION OR TEST CONDITION | ACCEPTANCE CRITERIA |
|--------------|---|---|
| BENDING TEST | NORMAL TEMPERATURE THE PLUG SHALL WITHSTAND WEIGHT OF 2.94N,IT SWINGS FROM LEFT TO RIGHT AT AN ANGLE OF 60DEG. 500 TIMES MIN.,S/R SHALL WITHSTAND WEIGHT OF 2.94N. IT SWING FROM LEFT TO RIGHT AT AN ANGLE OF 60DEG. 500 TIMES MIN.,BENDING SPEED 40CYCLE/MIN. | NO SHORT CIRCUIT THE BREAK RATE OF WIRE SHALL BE BELOW 30%. |
| VIBRATION | DURATION:30MINUTES AMPLITUDE:0.35mm FREQUENCY RANGE:10Hz...55Hz...10Hz SWEEP RANGE: APPROXIMATELY 1 OCTAVE / MIN | THERE SHALL BE NO ABNORMALITY ON THE APPEARANCE STRUCTURE AND OPERATING |

4.RELIABILITY

| ITEM | TEST CONDITION | ACCEPTANCE CRITERIA |
|-------------------------------|--|--|
| TEMPERATURE UP WITH FULL LOAD | TEST AT SURFACE OF THE CASE WITH TYPICAL AC INPUT AND FULL LOAD IN OUTPUT 50/60Hz | TEMPERATURE RISEN MEET SAFETY APPROVALED AT THE SURFACE OF CASE |
| HI-POT TEST | BETWEEN INPUT & OUTPUT 3000Vac 60 SECONDS 10mA, IT IS BASE ON IEC/EN60601 Clause 20 TEST PROCEDURE. FOR MASS PRODUCTION, IT IS TESTED BY 4000Vac/1 SECOND. | NO DAMAGE |
| INSULATION RESISTANCE | INPUT TO OUTPUT, DC 500V | >50M Ω (below at R.H 70%). >10M Ω (at R.H 71 ~ 95%). *Put it into normal temperature & humidity for 24H,when testing. (Ta:20~30 °C, below R.H 70%) |
| MTBF | TYPICAL INPUT & FULL LOAD AT 25°C | 100000 HOURS (min) |
| BURN-IN TEST | AT 30°C ($\pm 10^{\circ}\text{C}$),TYPICAL INPUT VOLTAGE | 2~4 HOURS |
| IEC61000-4-2 ESD TEST | AIR DISCHARGE $\pm 15\text{KV}$ CONTACT DISCHARGE $\pm 8\text{KV}$ | NO DAMAGE 1 ROUND/SEC ABOVE |
| IEC61000-4-5 SURGE WITHSTAND | LINE TO LINE: $\pm 0.5\text{kV}, \pm 1\text{kV}$ | NO DAMAGE |

5.ENVIRONMENT

| ITEM | SPECIFICATION OR TEST CONDITION | MIN | TYPICAL | MAX |
|-----------------------|---------------------------------|-------|---------|-------|
| OPERATING TEMPERATURE | | 0°C | | 40°C |
| STORAGE TEMPERATURE | | -20°C | | 65°C |
| OPERATING HUMIDITY | NON-CONDENSING | 5%RH | | 95%RH |
| STORAGE HUMIDITY | NON-CONDENSING | 5%RH | | 95%RH |

6.OUTLOOKING

| | |
|--|-----------------------------|
| DIMENSION | 72.7(L)*35.7(W)*53.0(H) TYP |
| WEIGHT | ABOUT 120g |
| AC INPUT TYPE | WALL MOUNT |
| DC OUTPUT TYPE | 5.5*2.1*9.5 |
| DC OUTPUT CABLE | USE UL 2468 24 AWG WIRE |
| INDICATION | LASER MARKING |
| FLAMMABILITY OF POWER SUPPLY ADAPTER ENCLOSURE IS 94V0 | |
| FLAMMABILITY OF PWB IS 94V0 | |

7.QC CHECK

ALL OF THE QUANTITY SHALL BE CHECKED BEFORE SHIPMENT,CHECK ITEM AS BELOW:

- (1)DC PLUG POLE CHECK
- (2)DC OUTPUT VOLTAGE CHECK
- (3)HI-POT&INSULATION CHECK
- (4)OUTLOOKING CHECK

STANDARD OF RoHS

| NO. | chemical substances group |
|-----|---------------------------------------|
| 1 | Cadmium |
| 2 | Chromium(VI) |
| 3 | Lead |
| 4 | Mercury |
| 5 | Polybrominated biphenyls (PBBs) |
| 6 | Polybrominated diphenyl ethers(PBDEs) |

Effective in 1st Jan. 2019

| NO. | chemical substances group |
|-----|-------------------------------------|
| 1 | Bis (2-ethylhexyl) phthalate (DEHP) |
| 2 | Butyl benzyl phthalate (BBP) |
| 3 | Dibutyl phthalate (DBP) |
| 4 | Diisobutyl phthalate (DIBP) |

FOR ENVIRONMENTAL IMPACT SUBSTANCES CONTAINED IN PARTS. COMPLY WITH "RoHS 2.0"

8.STANDARD

SAFETY

| COMPLY SAFETY STANDARDS | STANDARD |
|-------------------------|------------|
| CUL | UL 60601-1 |
| PSE | 別表第八 |
| CE-LVD | EN 60601-1 |

Manufacturer: UNIFIVE TECHNOLOGY (SHENZHEN) CO., LTD.

Factory Address: 101,201,301,BLDG E DATIANYANG INDUSTRIAL ZONE LONGMEN VLG
HONGXING SONGGANG ST BAOAN DISTRICT SHENZHEN GUANDONG, 518105 CHINA

RoHS

| COMPLY STANDARDS | STANDARD |
|------------------|------------------------|
| RoHS | 2011/65/EU及2015/863/EU |

EMC (EMI+EMS)

| COMPLY STANDARDS | STANDARD |
|------------------|-------------------------|
| FCC | FCC Part 18 |
| VCCI | CLASS B |
| CE | EN55011 CISPR11 Class B |

The EMC result will be affected when connecting of end device. The end user should be re-test the EMC of the complete set of equipments
The value which list on the spec,were tested by resistance.

EMS

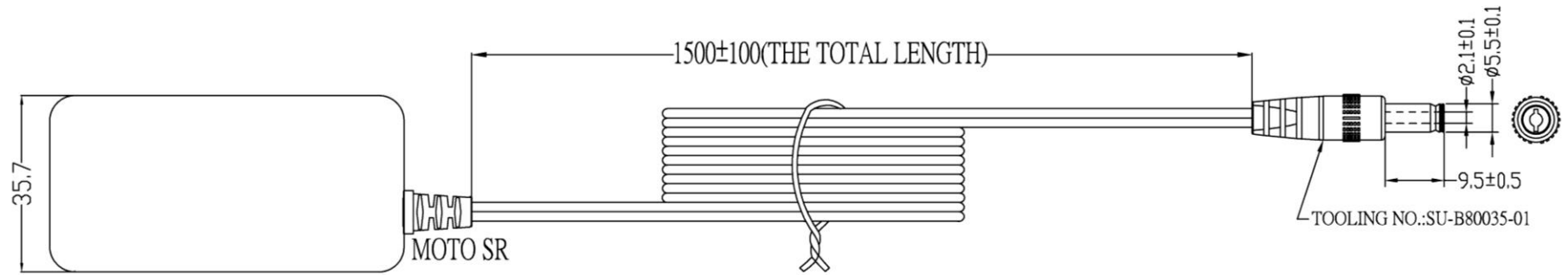
THE EUT HAS BEEN TESTED ACCORDING TO THE FOLLOWING SPECIFICATIONS:

| EMISSION | | | |
|----------------------|---------------------------------------|---------------|-------------------------------|
| STANDARD | TEST TYPE | RESULT | REMARKS |
| EN55011:2009+A1:2010 | MAINS TERMINAL DISTURBANCE VOLTAGE | PASS | COMPLY WITH THE CLASS B LIMIT |
| | RADIATED TEST | PASS | COMPLY WITH THE CLASS B LIMIT |
| EN61000-3-2:2014 | HARMONIC CURRENT EMISSIONS | PASS | COMPLY WITH THE CLASS A LIMIT |
| EN61000-3-3:2013 | VOLTAGE FLUCTUATIONS & FLICKER | PASS | COMPLY WITH THE REQUIREMENTS. |

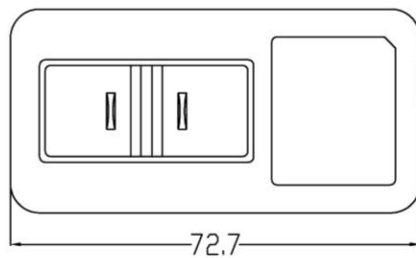
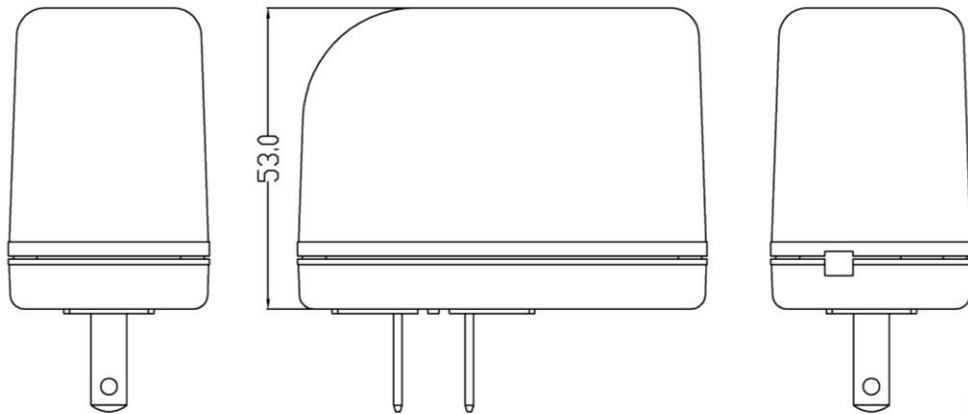
| IMMUNITY(EN 60601-1-2:2015) | | | |
|------------------------------------|---|---------------|--|
| STANDARD | TEST TYPE | RESULT | REMARKS |
| EN 61000-4-2:2009 | ELECTROSTATIC DISCHARGE IMMUNITY TEST | PASS | COMPLY WITH THE REQUIREMENTS OF PERFORMANCE CRITERION A |
| EN 61000-4-3:2006+A1:2008+A2:2010 | RADIATED,RADIO-FREQUENCY, ELECTROMAGNETIC FIELD IMMUNITY TEST | PASS | COMPLY WITH THE REQUIREMENTS OF PERFORMANCE CRITERION A |
| EN 61000-4-4:2012 | ELECTRICAL FAST TRANSIENT / BURST IMMUNITY TEST. | PASS | COMPLY WITH THE REQUIREMENTS OF PERFORMANCE CRITERION A |
| EN 61000-4-5:2014 | SURGE IMMUNITY TEST | PASS | COMPLY WITH THE REQUIREMENTS OF PERFORMANCE CRITERION A |
| EN 61000-4-6:2014 | IMMUNITY TO CONDUCTED DISTURBANCES, INDUCED BY RADIO-FREQUENCY FIELDS | PASS | COMPLY WITH THE REQUIREMENTS OF PERFORMANCE CRITERION A |
| EN 61000-4-8:2010 | POWER FREQUENCY MAGNETIC FIELD IMMUNITY TEST. | PASS | COMPLY WITH THE REQUIREMENTS OF PERFORMANCE CRITERION A |
| EN 61000-4-11:2004+A1:2017 | VOLTAGE DIPS,SHORT INTERRUPTIONS AND VOLTAGE VARIATIONS IMMUNITY TESTS | PASS | COMPLY WITH THE REQUIREMENTS OF VOLTAGE DIPS: 1.0% 0.5 CYCLE REDUCTION- PERFORMANCE CRITERION B 2. 70% 25/30 CYCLE REDUCTION- PERFORMANCE CRITERION C VOLTAGE INTERRUPTIONS: 0% 250/300 CYCLE REDUCTION- PERFORMANCE CRITERION C |

9.PRODUCT DRAWING

CASE TOLERANCE: $\pm 0.8\text{mm}$

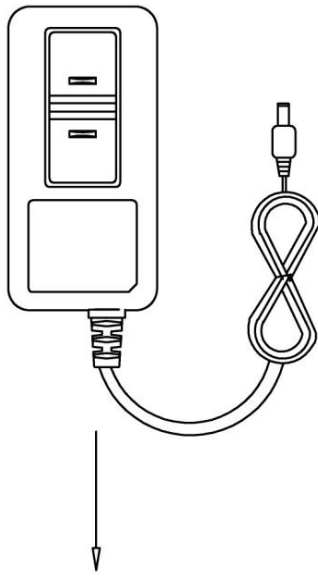


MEMO: Fork insulation with tonometer groove type



UNIFILE

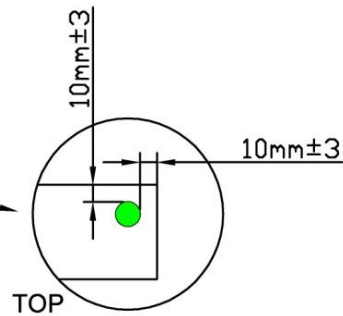
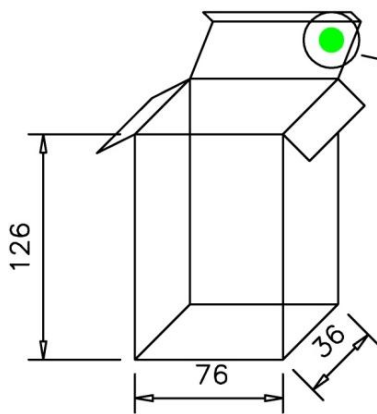
10.PACKING



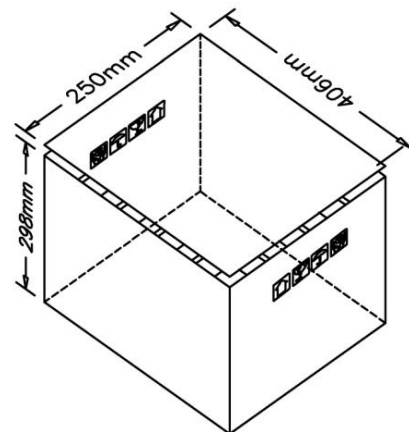
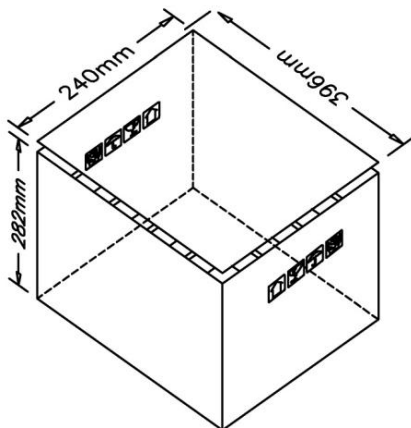
GREEN LABEL :



- 1、color: green 3405C
- 2、size: Ø8mm



Q'TY: 63pcs(3*3*7)



TOLERANCE: ±5mm

