

Bourdon tube pressure gauges, liquid filled,

Modelcode type: 213.53.0XX

Item number: 82497047

Description

Design according	EN 837-1
Accuracy class	class 1.6
Scale range	0...6000 psi
2nd Scale or Special Scale	2nd scale MPa

Constructional design

Process connection	1/4 NPT
Connector location	back mount
Pressure element	Copper alloy
Movement	Copper alloy
Case	Crimp ring case (version 53)
Nominal size	063 mm
Restrictor	brass, D 0.5
Case filling fluid	glycerine
Pointer	plastic, black (double division)
Window	plastic, clear
Dial	plastic, white, with stop-pin

Options

Mounting flange/bracket	front flange, stainless steel
-------------------------	-------------------------------

Operating conditions

Pressure limitation	Steady: 3/4 x full scale value Fluctuating: 2/3 x full scale value Short time: Full scale value
---------------------	---

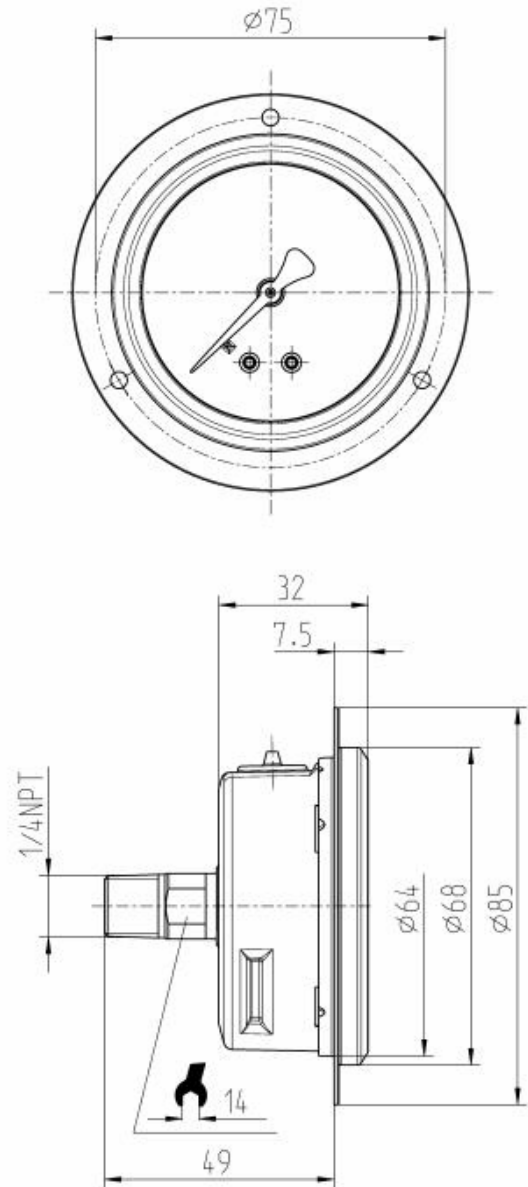
Permissible ambient temperature	-20 ... +60 °C
---------------------------------	----------------

Permissible medium temperature	+60°C maximum
--------------------------------	---------------

Temperature effect when the temperature deviates from the reference temperature (+20°C)	Max. $\pm 0.4\%$ / 10 K of the span
---	-------------------------------------

Ingress protection	IP 65
--------------------	-------

Dial description:



Bourdon tube pressure gauges, liquid filled,

Modelcode type: 213.53.0XX

Item number: 82497047

Pressure Gauge Standard	China
color for 1.scale (outside)	black
color for 2.scale (inside)	red RAL 3020
dial background	White
Manufacturer logo	*WIKA*
stop pin on dial	at zero
norm-mark on dial	*EN 837-1*
safetymark on dial	*S*
accuracy class on dial	*Cl.1.6*
CE mark on dial	*UKCA* *CE* model * ... *

Labelcode

Label	WIKA standard
language of the label	German