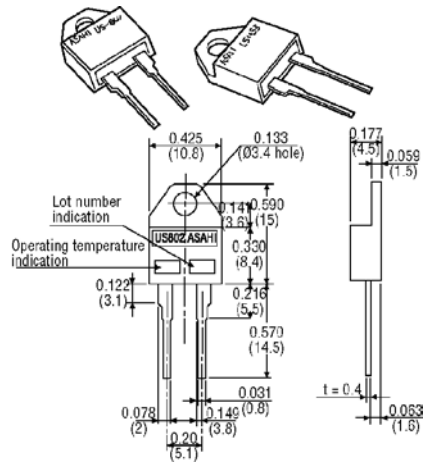


Selco Printed Circuit Board Thermostats

- Applications**
- Computers
 - Test Equipment
 - Indicator Lights

The Selco series 802 is a miniature bimetal thermostat. This PCB unit conforms to the International Y20/T0220 package. The snap-action contact is available normally open or normally closed at a factory set point range of 104°F-230°F. Series 802 is approved by UL, CSA and VDE as a temperature indicating and regulating device. **Specifications. Model:** Temperature-indicating and regulating equipment, UL873, cUL (CSA) SPST normally open and normally closed. **Electrical Ratings:** 48 VDC, 1 A resistive, 120 VAC, 1 A, resistive. **Temperature Ratings:** One fixed set point 40°C-110°C (104°F-230°F). **Differential:** 15°C ±6 (27°F ±9). **Cycle Life:** 30,000 cycles. **Dielectric Strength:** 1,500 VAC, 1 minute.



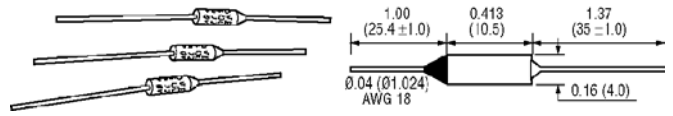
Temperature Ranges

Stock No.	Mfr.'s Type	Closing		Reset		EACH		
		±9°F	±5°C	±12°F	±7°C	1-9	10-24	25-99
557-0070	802F-065	149	65	122	50	14.81	10.81	8.51
557-0071	802F-070	158	70	131	55	14.81	10.81	8.51
557-0072	802F-075	167	75	140	60	14.81	10.81	8.51
557-0073	802F-080	176	80	148	65	14.81	10.81	8.51
557-0074	802F-085	185	85	157	70	14.81	10.81	8.51
557-0075	802F-090	194	90	167	75	14.81	10.81	8.51
557-0076	802F-095	203	95	176	80	14.81	10.81	8.51
557-0077	802F-100	212	100	185	85	14.81	10.81	8.51
557-0078	802F-105	221	105	194	90	14.81	10.81	8.51
557-0079	802F-110	230	110	203	95	14.81	10.81	8.51

Open On Rise

Stock No.	Mfr.'s Type	Opening		Reset		EACH		
		±9°F	±5°C	±12°F	±7°C	1-9	10-24	25-99
557-0080	802L-065	149	65	122	50	14.81	10.81	8.51
557-0081	802L-070	158	70	131	55	14.81	10.81	8.51
557-0082	802L-075	167	75	140	60	14.81	10.81	8.51
557-0083	802L-080	176	80	149	65	14.81	10.81	8.51
557-0084	802L-085	185	85	158	70	14.81	10.81	8.51
557-0085	802L-090	194	90	167	75	14.81	10.81	8.51
557-0086	802L-095	203	95	176	80	14.81	10.81	8.51
557-0087	802L-100	212	100	185	85	14.81	10.81	8.51
557-0088	802L-105	221	105	194	90	14.81	10.81	8.51
557-0089	802L-110	230	110	203	95	14.81	10.81	8.51

Selco One Shot Thermal Cutoffs



- Features**
- Low Cost
 - Excellent Contact Rating
 - Quick and Easy Installation

- Applications**
- Personal Care
 - Appliances
 - Motors

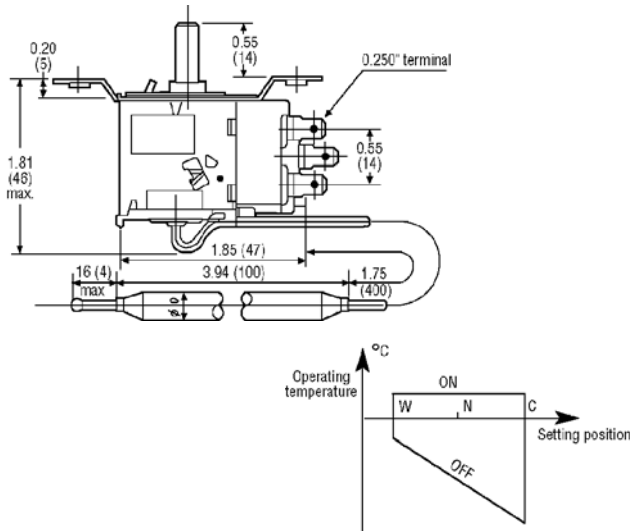
Thermal cutoffs are designed to provide upper limit temperature protection for many electronic products. Under normal operating temperatures, the solid pellet compresses a spring which holds the star contact against the isolated lead. When a fault temperature is reached, the pellet melts and the circuit is opened permanently. **Specifications. Electrical Ratings:** 250 V, 10 A/15 A resistive. **Temperature Tolerance:** +0°C to -4°C. **Approvals:** UL, CSA and VDE.

Stock No.	Mfr.'s Type	Temperature Ranges		EACH		
		°C	°F	1-9	10-24	25-99
557-0090	STC-183	84	183	2.77	2.02	1.59
557-0091	STC-189	87	189	2.77	2.02	1.59
557-0092	STC-199	93	199	2.77	2.02	1.59
557-0093	STC-208	98	208	2.77	2.02	1.59
557-0094	STC-219	104	219	2.77	2.02	1.59
557-0095	STC-262	128	262	2.77	2.02	1.59
557-0096	STC-286	141	286	2.77	2.02	1.59
557-0097	STC-306	152	306	2.77	2.02	1.59
557-0098	STC-363	184	363	2.77	2.02	1.59
557-0099	STC-421	216	421	2.77	2.02	1.59
557-0100	STC-464	240	464	2.77	2.02	1.59

Cross Reference Chart

Elmwood	Micro Temp Micro Devices	Selco	Elmwood	Micro Temp Micro Devices	Selco
D081-002	4178AI	STC-183	D139-002	4283AI	STC-286
D085-002	4191AI	STC-189	D149-002	4300AI	STC-306
D090-002	4194AI	STC-199	D181-002	4358AI	STC-363
D096-002	4204AI	STC-208	D213-002	4415AI	STC-421
D103-002	4218AI	STC-219	D242-002	4468AI	STC-464
D125-002	4257AI	STC-262			

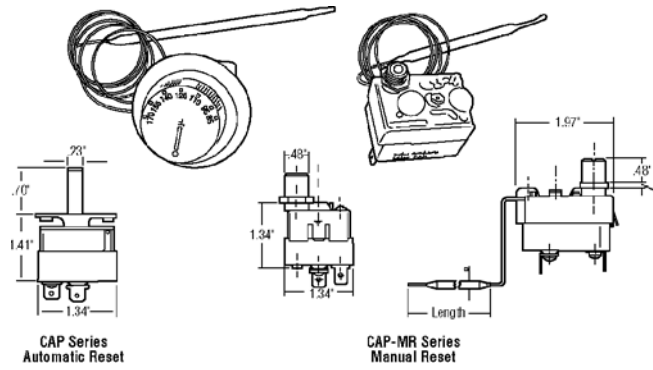
Cold/Pressure Thermostats



The WK series has a little differential, large controlling power and high sensitivity, available for cold or heat/cold window type air conditioner, heat pump type air conditioner, vehicle air conditioner and split type air conditioner. **Specifications. Temperature Ranges:** 0-40°C (32°F-104°F). **Max. Temperature Range:** Max. 15°C (27°F) charging G, Max. 20°C (36°F) charging L, C. **Differential:** 2-5°C (4°F-10°F). **Contact Resistance:** $\le 50\text{ m}\Omega$. **Insulation Resistance:** >100 m Ω . **Dielectric Strength:** AC 50 Hz, 1,500 V for one minute. **UL, CSA Electrical Ratings:** 125/250 VAC, 20 A, resistive; 250 VAC, 20 FLA, 80 LRA.

Stock No.	Mfr.'s Type	Temperature Range	EACH		
			1-9	10-24	25-99
557-0101	WKF11A-102-022	ON — 4.4°C OFF — Adjustable from -11.1 to -1.1°C	31.48	22.97	18.08
557-0102	WKF10U-103-022	ON — 4.4°C OFF — Adjustable from -10 to -5.5°C	31.48	22.97	18.08

CAP Series Bulb and Capillary Thermostat



Material: Copper. **Capillary Length:** 36". **Examples of Applications Include:** Cooking warmers and ovens, fryers, heaters, boilers, spas and control chambers. **UL Electrical Ratings:** 120 VAC, 20 amps, 1/4 horsepower; 240 VAC, 20 amps, 1/2 horsepower. **Pilot Duty:** 125 VA. **Cap Series:** 100,000 cycles. **CAP-MR Series:** 6,000 cycles.

CAP Series

These controls open on rise and are adjustable with knob bezels and screws. They offer a very close differential. When temperature rises the bulb fluid expands via a capillary tube to an expandable diaphragm within the remote thermostat case activating an electrical switch at the thermostat set point.

CAP-MR Series

This non-cycling device trips at the set point shutting down the thermal circuit until reactivated by manually depressing the reset button.

Stock No.	Mfr.'s Type	Knob/Cap/Bezel	Temp. Range	Bulb Length	Bulb Dia.	EACH		
						1-9	10-24	25-99
557-0051	CAP-85-195	CAP-100*	85°F-195°F	4.0"	0.24"	30.73	27.00	20.49
557-0052	CAP-85-230	CAP-101*	85°F-230°F	3.3"	0.24"	30.73	27.00	20.49
557-0053	CAP-120-570	CAP-102*	120°F-570°F	3.5"	0.20"	30.73	27.00	20.49
557-0054	CAP-MR-200	—	200°F	3.6"	0.24"	30.73	27.00	20.49
557-0055	CAP-MR-572	—	572°F	3.0"	0.19"	30.73	27.00	20.49

*Sold separately.

557-0063. CAP-100-KNOB-CAP-BEZEL 1-9	EACH .78	25-99	EACH .82
10-24	EACH .78	25-99	EACH .73
557-0064. CAP-101-KNOB-CAP-BEZEL 1-9	EACH .78	25-99	EACH .82
10-24	EACH .78	25-99	EACH .73
557-0065. CAP-102-KNOB-CAP-BEZEL 1-9	EACH .78	25-99	EACH .82
10-24	EACH .78	25-99	EACH .73