

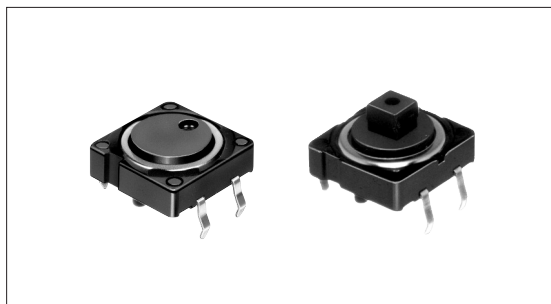
TACT Switch™ 12mm Square (Snap-in Type)

SKHC Series



Joint stem & flat stem with stable operation feeling.

- Detector
- Push
- Slide
- Rotary
- Encoders
- Power



Dual-in-line
Package Type

TACT Switch™

Custom-
Products

Sharp
Feeling

Soft
Feeling

Snap-in
Type

Surface
Mount Type

Radial
Type

Product Line

Product No.	Operating force	Operating direction	Travel (mm)	Rating (max.)	Rating (min.)	Operating life (5mA 5V DC)	Initial contact resistance	Stem color	Stem	Minimum order unit (pcs.)	Drawing No.
SKHCBJA010	0.74N	Vertical	0.3	50mA 12V DC	10μ A 1V DC	500,000 cycles	100mΩ max.	Blue	Joint stem	1,000	1
SKHCBEA010	1.27N					1,000,000 cycles		Black			
SKHCBGA010	2.55N					500,000 cycles		Dark gray			
SKHCBKA010	0.74N					500,000 cycles		Blue	Flat stem		
SKHCBFA010	1.27N					1,000,000 cycles		Black			
SKHCBHA010	2.55N					500,000 cycles		Dark gray			

Packing Specifications

Bulk

Number of packages (pcs.)		Export package measurements (mm)
1 case /Japan	1 case /export packing	
5,000	15,000	309 × 476 × 347


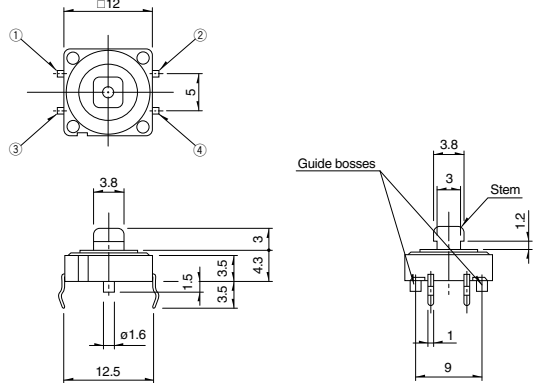
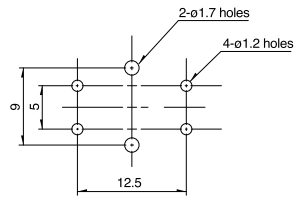

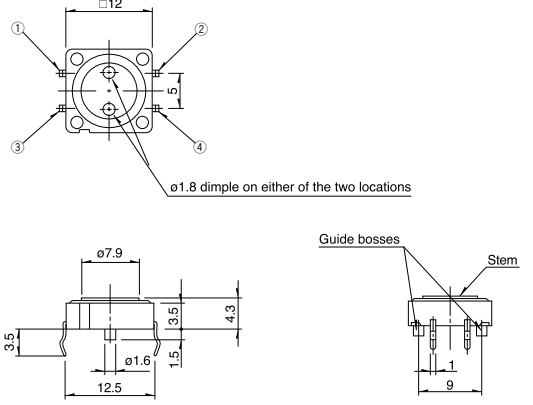
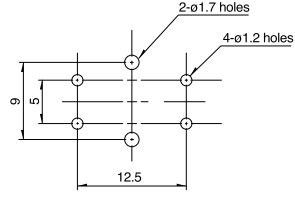
Note

Please place purchase orders per minimum order unit N (integer).

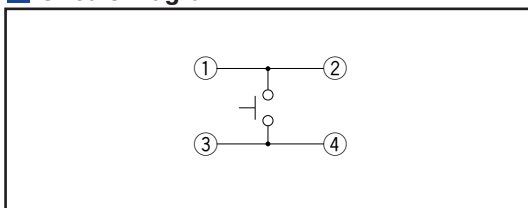
Refer to P.334 for soldering conditions.
Refer to P.336 for standard knobs.

Detector
 Push
 Slide
 Rotary
 Encoders
 Power
 Dual-in-line
 Package Type
 TACT Switch™
 Custom-
 Products

Sharp
 Feeling
 Soft
 Feeling
 Snap-in
 Type
 Surface
 Mount Type
 Radial
 Type

No.	Photo	Style	PC board mounting hole dimensions (Viewed from switch mounting face)
1	<p>Joint stem type</p> 		
2	<p>Flat stem type</p> 		

Circuit Diagram



Note
 Please use 1.6mm thick PC boards.

List of Varieties

Sharp Feeling Type

Series	SKQB	SKQE	SKHC	SKSH	SKRW	SKRM	SKRB	SKRR	SKQG	SKSK	SKSD	
Detector	Photo											
Push	Snap-in			Surface mount								
Slide	Water-proof Horizontal type	Long Life	—	Low-profile				Low-profile and long life	Low-profile	Double action		
Rotary	Operating direction	Vertical	●	●	●	●	●	●	●	●	●	
Encoders		Horizontal	●	—								
Power	Dimensions (mm)	W	11.5	□12	3.3	□3.7	□4.5	□4.8	7.5	□5.2	3.5	4.1
Dual-in-line Package Type		D	11.9		2.9		0.4	0.55	0.6		0.8	3.2
TACT Switch™		H	11.3	4.3	0.35	0.4	0.55	0.6	0.8	0.6		
Custom-Products	Operation force coverage	1N	●	↕	↕	↕	↕	↕	↕	↕	See the relevant pages for respective product descriptions	
		5N	↕	↕	↕	↕	↕	↕	↕	↕		
	Travel (mm)	0.3		0.15		0.15		0.25		0.25		See the relevant pages for respective product descriptions
						0.2						
Sharp Feeling	Ground terminal	—									●	●
Soft Feeling	Operating temperature range	-30°C to +85°C										
Snap-in Type	Automotive use	●	—				●	—	○	—		
Surface Mount Type	Electrical performance	Insulation resistance	100MΩ min. 100V DC									
Radial Type		Voltage proof	250V AC for 1min. SKSH/RW/RB/RR/SK/SD : 100V AC for 1min.									
	Durability	Vibration	10 to 55 to 10Hz/min., the amplitude is 1.5mm for all the frequencies, in the 3 direction of X, Y and Z for 2hours respectively									
		Lifetime	Shall be in accordance with individual specifications.									
	Environmental performance	Cold	-30±2°C for 96h									
		Dry heat	80±2°C for 96h									
		Damp heat	60±2°C, 90 to 95%RH for 96h									
	Page	292	294	295	297	298	299	300	301	302	304	305

W : Width. The most outer dimension excluding terminal portion.
 D : Depth. The most outer dimension excluding terminal portion.
 H : Height. The minimum dimension if there are variances.

- TACT Switch™ Soldering Conditions334
- TACT Switch™ Cautions.....335
- Product Line of Knobs for TACT Switch™336

Notes

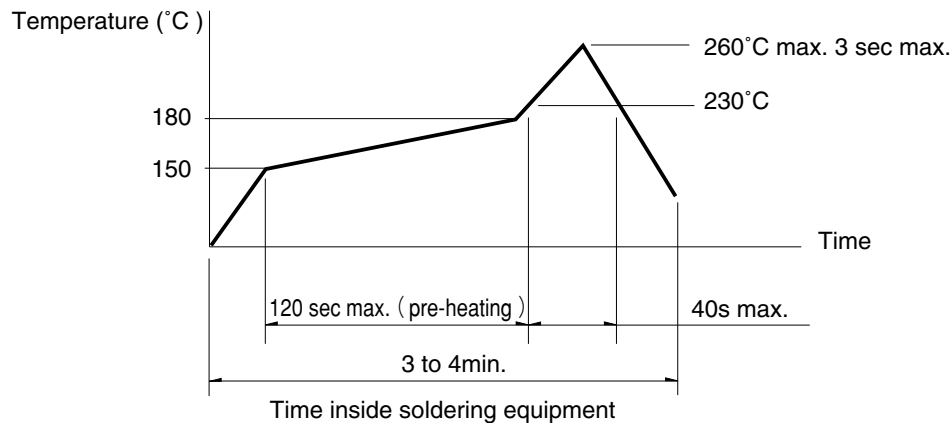
- The automotive operating temperature range to be individually discussed upon request.
- marks in "Available for automotive use" indicate that some of the series products can work at the operating temperature range from -40°C to +85°C, ●marks in "Available for automotive use" indicate that all of the series products can work at the operating temperature range from -40°C to +85°C.

Soldering Conditions

Condition for Reflow

Available for Surface Mount Type.

1. Heating method: Double heating method with infrared heater.
2. Temperature measurement: Thermocouple 0.1 to 0.2 ϕ CA (K) or CC (T) at solder joints (copper foil surface). A heat resistive tape should be used to fix thermocouple.
3. Temperature profile



Notes

1. The above temperature shall be measured of the top of switch. There are cases where the PC board's temperature greatly differs from that of the switch, depending on the material, size, thickness of PC boards and others. The above-stated conditions shall also apply to switch surface temperatures.
2. Soldering conditions differ depending on reflow soldering machines. Prior verification of soldering condition is highly recommended.

Conditions for Auto-dip

Available for Snap-in Type and Radial Type
(Except, SKHL, SKQJ, SKQK, SKEG series)

Items	Condition
Flux built-up	Mounting surface should not be exposed to flux
Preheating temperature	Ambient temperature of the soldered surface of PC board. 100°C max.
Preheating time	60s max.
Soldering temperature	260°C max.
Duration of immersion	5s max.
Number of soldering	2times max.

Notes

1. Consult with us for availability of TACT Switch™ washing.
2. Prevent flux penetration from the top side of the TACT Switch™.
3. Switch terminals and a PC board should not be coated with flux prior to soldering.
4. The second soldering should be done after the switch is stable with normal temperature.
5. Use the flux with a specific gravity of min 0.81.
(EC-19S-8 by TAMURA Corporation, or equivalents.)

Manual Soldering (Except SKRT Series)

Items	Condition
Soldering temperature	350°C max.
Duration of soldering	3s max.
Capacity of soldering iron	60W max.

Detector

Push

Slide

Rotary

Encoders

Power


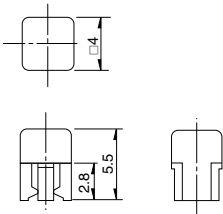

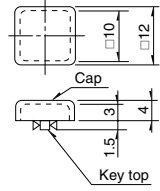
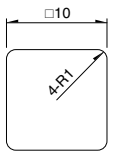
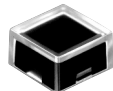
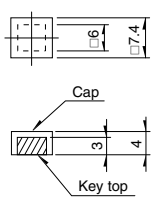
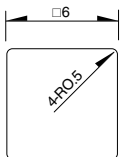
Dual-in-line
Package Type

TACT Switch™

Custom-
ProductsSharp
FeelingSoft
FeelingSnap-in
TypeSurface
Mount TypeRadial
Type

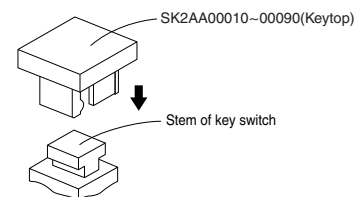
Product Line of Knobs

Unit:mm

Applicable model	Dimensions		Variety			Label dimensions (Unit:mm)	
			Color	Model			
SKHH Applicable to joint stem type			Keytop				
			Red Blue Ivory Black Yellow	SK2AA00410 SK2AA00420 SK2AA00430 SK2AA00440 SK2AA00450			
SKHC SKQE Applicable to joint stem type			Cap				
			Clear	SK2AA00510			
			Keytop			Keytop + Cap	
			Red Blue Ivory Black	SK2AA00010 SK2AA00020 SK2AA00030 SK2AA00040	SK2AA00060 SK2AA00070 SK2AA00080 SK2AA00090		Thickness 0.1
SKEG Applicable to joint stem type			Cap				
			Clear	SK2AA00540			
			Keytop			Keytop + Cap	
			Red Blue Ivory Black Yellow	SK2AA00310 SK2AA00320 SK2AA00330 SK2AA00340 SK2AA00350	SK2AA00360 SK2AA00370 SK2AA00380 SK2AA00390 SK2AA00400		Thickness 0.1

Notes

1. The knob will be delivered together with the switch but packed separately.
2. The label is not included.
3. For SK2AA00010 to SK2AA00090 types, please check the mounting direction.



- Detector
- Push
- Slide
- Rotary
- Encoders
- Power
- Dual-in-line Package Type
- TACT Switch™
- Custom-Products
- Sharp Feeling
- Soft Feeling
- Snap-in Type
- Surface Mount Type
- Radial Type