

SSP1A175BD

solid state relay - panel mounting - input 3-32V DC,
output 24-300 V AC, 75A



Main

Range of product	Zelio Relay
Product or component type	Solid state relay
Device short name	SSP1
Mounting support	Panel
Network number of phases	1 phase
Contacts type and composition	1 NO
[In] rated current	75 A
Solid state output type	Zero voltage switching SCR output

Complementary

Control circuit voltage	3...32 V DC
Switching voltage	<= 1 V DC turn-off >= 3 V DC turn-on
Response time	0.5 cycle turn-on 0.5 cycle turn-off
Input current limits	10 mA at 12 V DC
Output voltage	24...300 V AC
Load current	0.15...75 A
Absolute maximum voltage	600 V
Surge current	<= 1000 A for 16.6 ms
Maximum I ² t for fusing	4150 A ² .s for 8.33 ms at 60 Hz half cycle 4555 A ² .s for 10 ms at 50 Hz half cycle
Protection device type	Type 1 - 50 A miniature circuit breaker (MCB) - curve B Type 2 - 40 A miniature circuit breaker (MCB) - curve B
Leakage current	<= 1 mA off-state
Voltage drop	1.15 V on-state
DV/dt	500 V/μs off-state at maximum voltage
Cos phi	0.5 with maximum load
Motor power hp	1.5 hp 120 V AC 3 hp 240 V AC
Insulation resistance	1000 MOhm at 500 V DC
Capacitance unbalance	10 pF for input/output
Dielectric strength	4 kV AC for input/output 4 kV AC for input or output to case
[Uimp] rated impulse withstand voltage	6 kV output to case 6 kV input to output
Tightening torque	1.5...1.7 N.m for input 2...2.2 N.m for output
Connections - terminals	Forked type tag connectors : 9.2 x 4 mm for input Ring lugs : 9.2 x 4 mm for input Forked type tag connectors : 11.7 x 4.5 mm for output Ring lugs : 11.7 x 4.5 mm for output Screw terminals : 0.2...3.3 mm ² , (AWG 24...AWG 12) with cable end for input Screw terminals : 0.5...5.26 mm ² , (AWG 20...AWG 10) with cable end for output Screw terminals : 0.2...3.3 mm ² , (AWG 24...AWG 12) without cable end for input Screw terminals : 0.5...8.26 mm ² , (AWG 20...AWG 8) without cable end for output
Thermal resistance	0.3 °C/W junction to case
Local signalling	LED, green for input
IP degree of protection	IP20

The information provided in this documentation contains general descriptions and/or technical characteristics of the products contained herein. This documentation is not intended as a substitute for and is not to be used for determining suitability or reliability of these products for specific user applications. It is the duty of any such user or integrator to perform the appropriate and complete risk analysis, evaluation and testing of the products with respect to the relevant specific application or use thereof. Neither Schneider Electric Industries SAS nor any of its affiliates or subsidiaries shall be responsible or liable for misuse of the information contained herein.

Safety reliability data

MTTFd = 1875.9 years
B10d = 1731395

Product weight

89.2 g

Environment

ambient air temperature for operation

-40...80 °C

ambient air temperature for storage

-40...125 °C

pollution degree

2

overvoltage category

III

product certifications

CE
CSA
RoHS
UL
REACH
EAC

marking

CE
CSA
UL
EAC

standards

EN/IEC 60950-1
UL 508
EN/IEC 62314
CSA C22.2 No 14-13

Offer Sustainability

Sustainable offer status

Green Premium product

RoHS (date code: YYWW)

Compliant - since 1522 - Schneider Electric declaration of conformity

REACH

Reference not containing SVHC above the threshold

Product environmental profile

Available

Product end of life instructions

Available

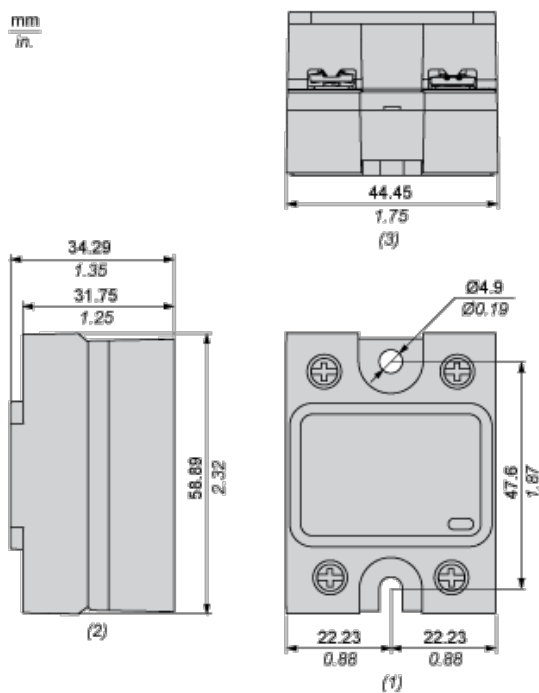
Contractual warranty

Warranty period

18 months

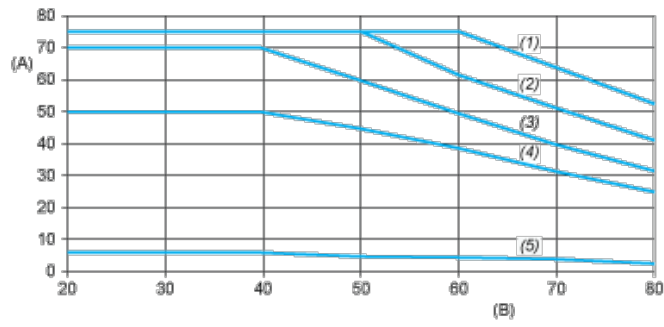
Dimensions

mm
in.



- (1) Front view
- (2) Side view
- (3) Bottom view

Derating Curves



A : Load Current (Arms)

B : Ambient Temperature (°C)

(1) For Heatsink SSRHP02

(2) For Heatsink SSRHP05

(3) For Heatsink SSRHP07

(4) For Heatsink SSRHD10

(5) No Heatsink