



Display Desk Stand

RS Stock No. 203-6871

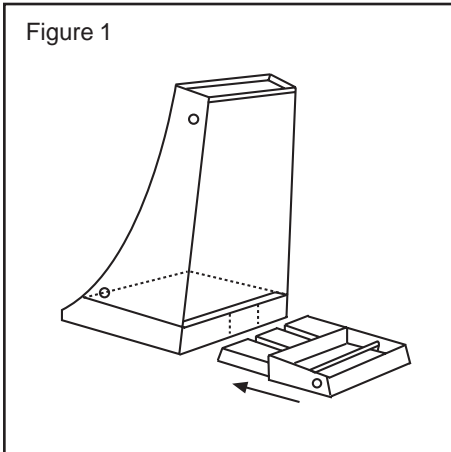


Figure 1

Insert the base (pencil tray) into the panel holder.

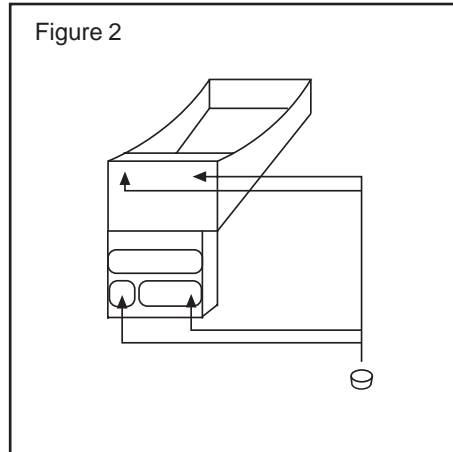


Figure 2

Attach 1 self-adhesive foot to each corner of the base of the desk stand.

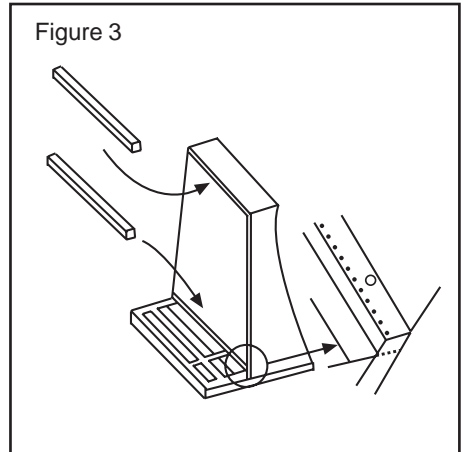


Figure 3

Insert the pin-bars into the top and bottom slots of the panel holder.

Ensure that the 2 larger holes are to the rear and the 40 smaller holes face forward.

Note: The pin-bars may already be pre-inserted at manufacture.

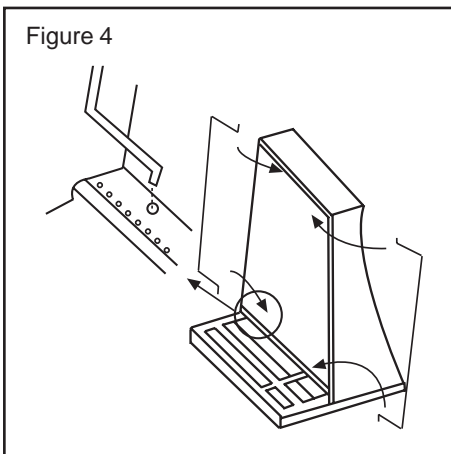


Figure 4

Insert the wire side supports into the larger holes in top and bottom pin bars.

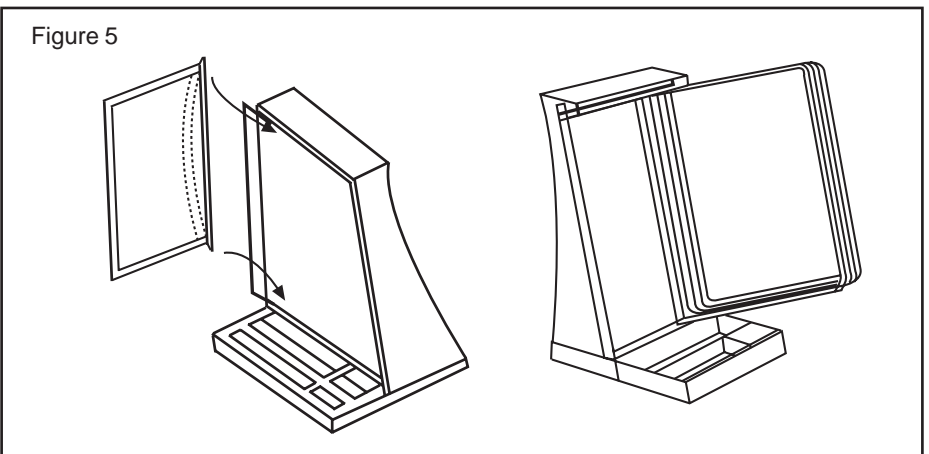


Figure 5

The panels can then be inserted into the smaller holes on the pin-bars. Up to 40 panels can be inserted. (Panels are not included and can be purchased separately).

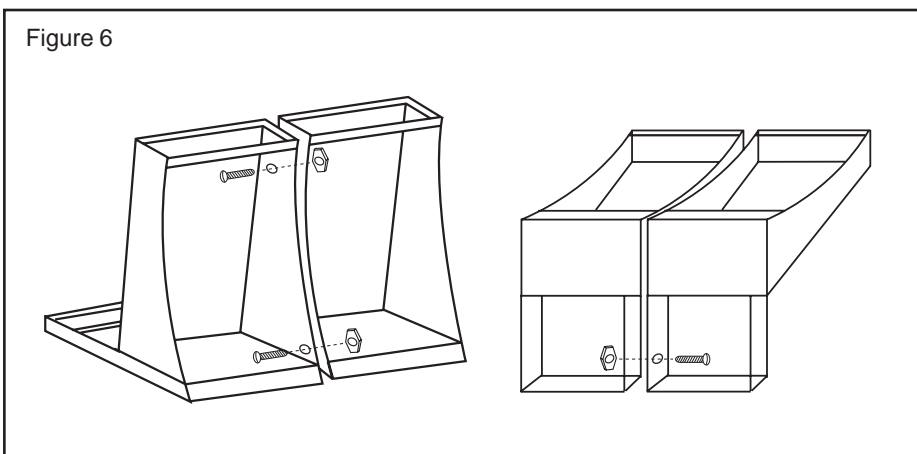


Figure 6

Additional stands can be connected with the screws and nuts provided.

Accessories available from RS:

Description	RS Stock No.
20 Green Panels	203-6887
20 Yellow panels	203-6893
20 Red Panels	203-6900
20 Blue Panels	203-6916
20 Plastic Tabs	203-6922
Inserts for Plastic Tabs (2 Sheets)	203-6938