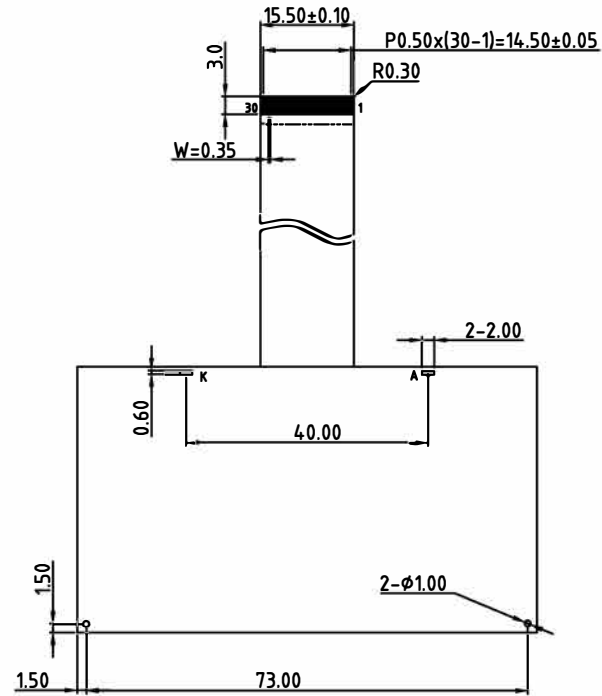
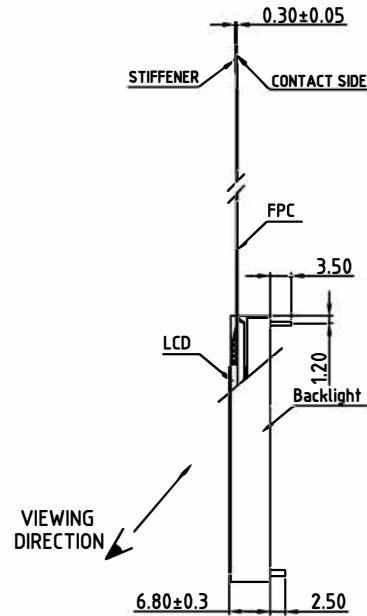
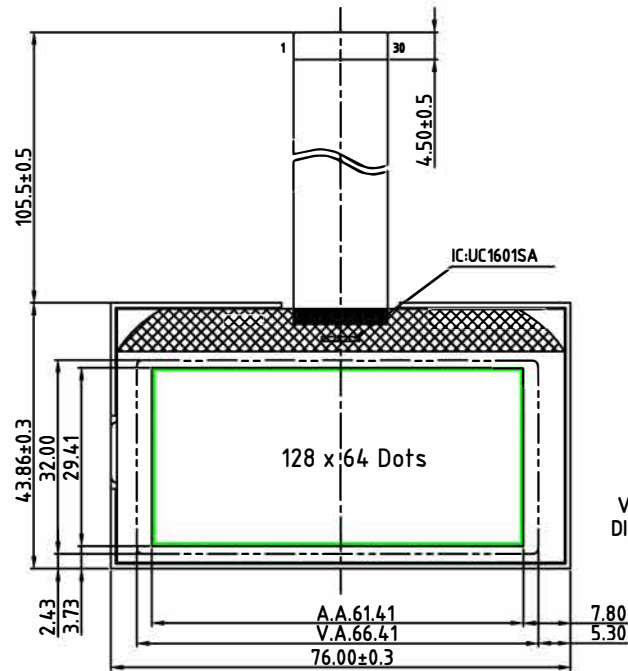


REV	Description	Date
A00	First Issue	2008-APR-23

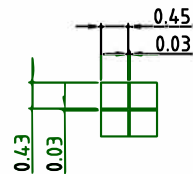


Pin Assignment:



1	CS0	16	VDD
2	RST	17	VDD2
3	CD	18	VSS
4	WR0	19	VSS2
5	WR1	20	VB1+
6	D0	21	VB1+
7	D1	22	VB1-
8	D2	23	VB1-
9	D3	24	VB0-
10	D4	25	VB0-
11	D5	26	VB0+
12	D6	27	VB0+
13	D7	28	VLCD_OUT
14	BM0	29	VLCD_IN
15	BM1	30	NC

SPECIFICATIONS:

- 1) FSTN/+VE/B&W/TRANSFLECTIVE MODE
- 2) 1/65 DUTY, 1/9 BIAS, VOP=10V
- 3) VIEWING ANGLE = 6 O'CLOCK
- 4) OP.TEMP.= -20°C TO +70°C
ST.TEMP.= -30°C TO +80°C
- 5) DRIVER: UC1601S, VDD=3.3V
- 6) WITH WHITE LED BACKLIGHT, 3.3V@60mA



Dots Detail
Scale=10:1

Description:		MECHANICAL SPECIFICATIONS		
Scale:		 TRI-T COMPANY LIMITED		
Sheet : 1 of 1				
Unspecified Tol. ±0.3	Unit mm	Project Number CI064-4021-03	Item Number	 Projection
Approvals	Date			
Draw:		Do Not Scale This Drawing		
Check:				
Approve:				