

Integrated signal lamp, continuous light, yellow, 12-230 V AC/DC,  
Diameter 70 mm







General technical data	
<b>Product designation</b>	Continuous light element
<b>Type of voltage</b>	
• of the operating voltage	AC/DC
<b>Operating voltage</b>	
• at DC rated value	12 ... 230 V
• at AC at 50 Hz rated value	12 ... 230 V
• at AC at 60 Hz rated value	12 ... 230 V
<b>Relative positive tolerance of the operating voltage</b>	10 %
<b>Relative negative tolerance of the operating voltage</b>	-10 %
<b>Consumed active power</b>	5 W
<b>Reference code</b>	
• acc. to DIN EN 81346-2	P
<b>Mounting type</b>	Bayonet / flush mounting
<b>Material</b>	PC; PC/ABS; PA
<b>Color</b>	yellow
Mechanical data	
<b>Product component Light source</b>	No

Type of electrical connection	screw-type terminals
Outer diameter of the signal column element	75 mm

Lamp	
socket type	BA 15d
Design of the optical signal	continous light
Type of light source	filament lamp / LED

Ambient conditions	
Ambient temperature during operation	-20 ... +60 °C
Protection class IP	IP65
Depth	31 mm
Height	66 mm
Width	75 mm

#### Certificates/ approvals

General Product Approval	EMC	Declaration of Conformity	other
 UL		 RCM	 EG-Konf.
		<a href="#">Miscellaneous</a>	<a href="#">Confirmation</a>

#### Further information

**Information- and Downloadcenter (Catalogs, Brochures,...)**

[www.siemens.com/sirius/catalogs](http://www.siemens.com/sirius/catalogs)

**Industry Mall (Online ordering system)**

<https://mall.industry.siemens.com/mall/en/en/Catalog/product?mlfb=8WD5300-1AD>

**Cax online generator**

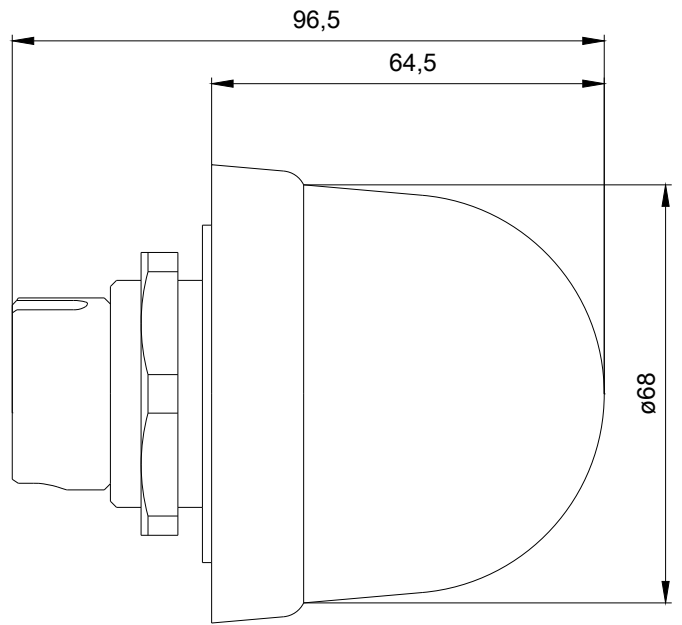
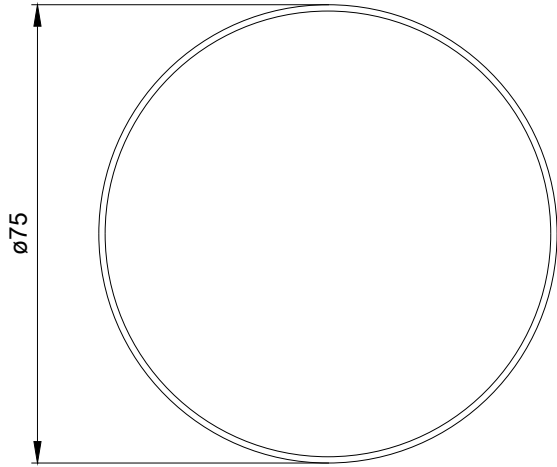
<http://support.automation.siemens.com/WW/CAXorder/default.aspx?lang=en&mlfb=8WD5300-1AD>

**Service&Support (Manuals, Certificates, Characteristics, FAQs,...)**

<https://support.industry.siemens.com/cs/ww/en/ps/8WD5300-1AD>

**Image database (product images, 2D dimension drawings, 3D models, device circuit diagrams, EPLAN macros, ...)**

[http://www.automation.siemens.com/bilddb/cax\\_de.aspx?mlfb=8WD5300-1AD&lang=en](http://www.automation.siemens.com/bilddb/cax_de.aspx?mlfb=8WD5300-1AD&lang=en)



SIEMENS

last modified:

09/13/2019