

V672D OUTDOOR HD ANALOG WDR DOME CAMERA



Product at a Glance

- ▶ Supports AHD/TVI/CVBS
- ▶ True Wide Dynamic Range (WDR; 120 dB)
- ▶ On-screen menus with innovative joystick control make setup and operation easy
- ▶ Privacy masking
- ▶ 2 MP (1080p; AHD/TVI)
- ▶ IR LEDs (98 ft/30 m range)
- ▶ Digital Noise Reduction
- ▶ Defog
- ▶ HLC (High Light Compensation)
- ▶ Accepts UTC (up the coax) protocol
- ▶ Wall or ceiling mounting
- ▶ Plastic housing with impact-resistant plastic dome
- ▶ Easy to install and set up
- ▶ IP66 rated for water ingress protection; IK 10 rated impact protection

The V672D-W312MIR Outdoor Dome Camera offers a compact domed housing incorporating a fixed camera and motorized varifocal lens.

Camera and Optics Provide Outstanding Performance and Value

The V672D-W312MIR is an HD analog camera that provides HD quality video over coaxial cable. It is a cost-effective alternative when high-definition video is required, but all the other features of IP cameras are not needed or as an upgrade to an existing system with pre-existing cabling. AHD, TVI and CVBS video outputs are provided. The camera dome includes a 2.8-12 mm varifocal lens that provides superb sharpness and excellent sensitivity. The cameras utilize a 1/2.8-inch CCD device with a resolution of 2 MP and 700 TV lines in CVBS.

The camera provides true Wide Dynamic Range (WDR), improving picture quality by balancing the high contrast between bright and dark areas in scenes, and Digital Noise Reduction (DNR), which significantly reduces motion blur during low light conditions and greatly reduces video noise. The camera includes IR illuminators.

The camera provides motion detection, backlight compensation, highlight compensation and automatic white balance.

Durable Construction and Easy Installation

The camera dome is constructed of PA 7 plastic with a high-impact polycarbonate plastic dome. Tamper-resistant screws make the unit resistant to vandalism. The IK10/IP66 rated camera package is designed to withstand the harshest conditions and destructive environments of correctional facilities, warehouses and loading docks. The cameras may be wall or ceiling mounted. Optional accessories are available for in-ceiling and pendant-style mounting.

The extensive on-screen display menus allow for set up of white balance, AGC, backlight compensation, exposure, titling, privacy masks and many other functions. The UTC protocol can be used for remote camera setup and to operate the motorized zoom and focus.

The camera position is adjustable, allowing for adjustment of pan (360°), tilt (78° from vertical) and rotation about its axis (roll/azimuth), for any angle of view required.

SPECIFICATIONS

Camera and Optics

	V672D-W312MIR
Type:	Day/Night
Image Device:	1/2.8-inch CMOS
Picture Elements:	1937 (H) x 1097 (V), active pixels
Scanning System:	16:9 Progressive
Synchronization:	Internal
Shutter Speed:	Auto; Flicker; 1/30-1/30,000 sec manual
Resolution:	AHD/TVI: 2 MP (1080p), 30/25 fps; CVBS: 700 TV lines
Minimum Illumination:	Color: 0.03 lux, DSS off; B&W: 0.01 lux, IR LED off; 0.00 lux, IR LED on
IR Distance:	98 ft (30 m); 30 IR LEDs; 850 nm
Video Output:	BNC 1 (TVI / AHD selectable)/BNC 2 (CVBS)
S/N Ratio:	>52 dB (AGC off)
Camera Control:	Joystick OSD; coaxial
Auto Iris Control:	DC (ALC)/Manual (ELC)
Brightness:	1-20
Backlight Compensation:	Off/BLC/HLC/WDR
Automatic Gain Control (AGC):	1-10
Wide Dynamic Range:	True WDR (120 dB; Low/Mid/High/Off)
Sense Up:	Off/x2/x4/x8/x16/x32
Digital Noise Reduction:	Low/Mid/High/Off
White Balance:	Auto (Indoor)/Autoext (Outdoor)/Preset/Manual
Privacy Mask:	On/Off; 16 programmable zones
Motion Detection:	On/Off; 4 programmable zones
Day/Night:	Auto/Color/B&W/External
Digital Zoom:	D-PTZ support enables pan and tilt functionality within zoomed screen
Digital Effects:	Flip/Mirror/Shading/Sharpness
Defog:	On/Off

SPECIFICATIONS

Lens:

Focal Length:	2.8-12 mm
Field of View:	2.8 mm: 119.9° H 12 mm: 28.8° H

Electrical

Input Voltage:	12 VDC \pm 10% or 24 VAC \pm 10%
Current:	600 mA
Power Consumption:	7.2 W maximum
Connectors:	Power: 2-pin connector on pendant cable Video: 2 BNCs; 1 for TVI/AHD and 1 for CVBS on pendant cable Spot Monitor (for CVBS output)
Certifications:	CE, FCC, Class A, IP66, IK10

Operational

Control Display:	On-screen, menu-driven system allowing full configuration of the camera; UTC protocol allows remote camera setup
Tilt and Horizontal Adjustment:	Pan, 360°; tilt, 78° from vertical and rotation about its axis (roll/azimuth)
Lens Adjustment:	Motorized zoom and focus; can be operated by UTC protocol
Titling:	On/Off, alphanumeric character set

Environmental

Operating Temperature Range:	Outdoor Rated: 14 to 122° F (-10 to 50° C)
Operating Humidity Range:	Up to 96% relative, non-condensing

Warranty

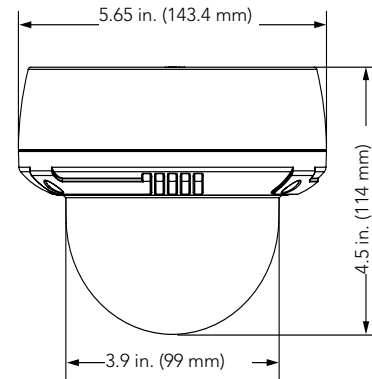
3 years parts and labor

Ordering Information





Description	Model Number
Day/Night outdoor dome camera. 2.8-12 mm lens, 1/2.8-inch format with WDR and DNR; 1080p (2 MP; AHD/TVI) or 700 TV line (CVBS) resolution. 12 VDC or 24 VAC.	V672D-W312MIR

SPECIFICATIONS

- ▶ Plastic PA7 construction with polycarbonate plastic dome and black mask. Rated for IP66 water ingress protection and IK10 impact protection
- ▶ Wall or ceiling mounting
- ▶ Housing Diameter: 5.65 inches (143.4 mm)
- ▶ Dome Diameter: 3.9 inches (99 mm)
- ▶ Height: 4.5 inches (114 mm)
- ▶ Weight: 1.16 lb. (0.53 kg)



Mounting Accessories

	Description	Model Number
	Wall-mount arm for dome cameras	V670-HDB243
	In-ceiling mounting kit for dome cameras	V670-HCS254
	NPT-pipe adapter for dome cameras	V670-HDA202
	Allows the dome cameras to be mounted on a 4 x 4 electrical box with a neat look	V670-TRIM