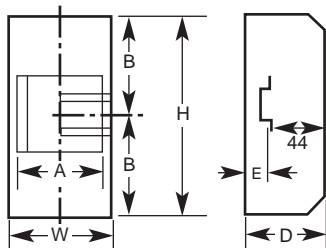


Dimensions (mm)

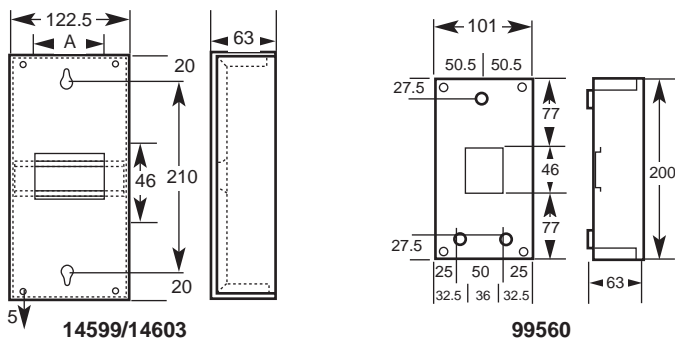
Enclosures, Mini Opale, G9, Modular extension boxes

Mini Opale enclosures



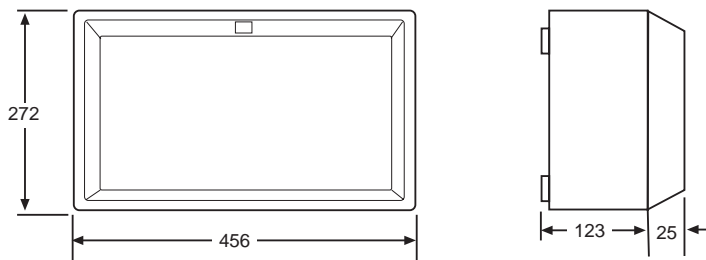
Part N°.	H	W	D	A	B	E
13392	130	44	57	36	65	11
13394	130	80	57	72	65	11
13396	160	119	65	108	80	19
13398	160	155	65	151	80	19

G9 enclosures

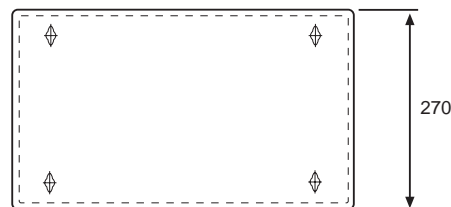


Part N°.	A
14599	72
14603	99

Modular extension boxes MGBNEX034, MGBMX16 and MGBEXA15N



MGBNEX



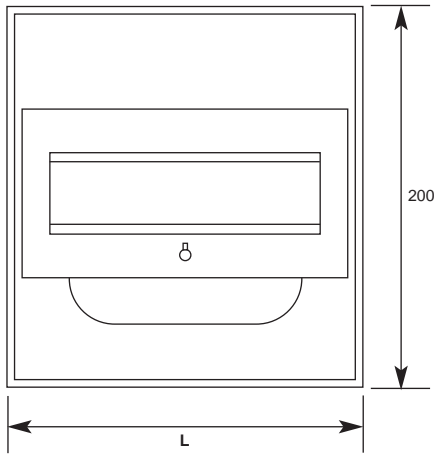
Supplied as standard when the following incomers are ordered:

- Switch disconnectors 160A to 250A
- 160A RCD
- MCCB 100A to 250A
- 250A terminal block

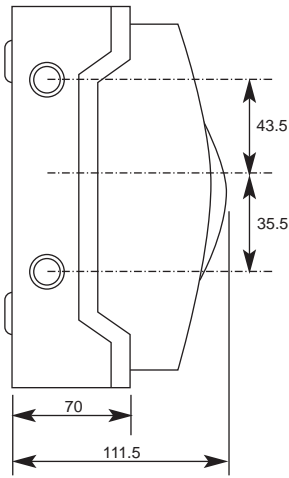
Dimensions (mm)

Weatherproof Mini Pragma IP65

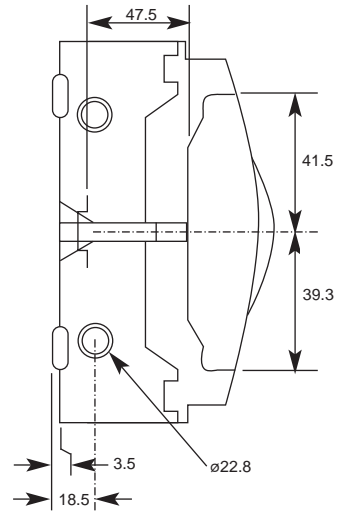
Front view



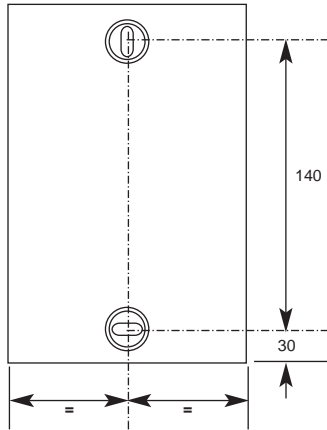
Side view



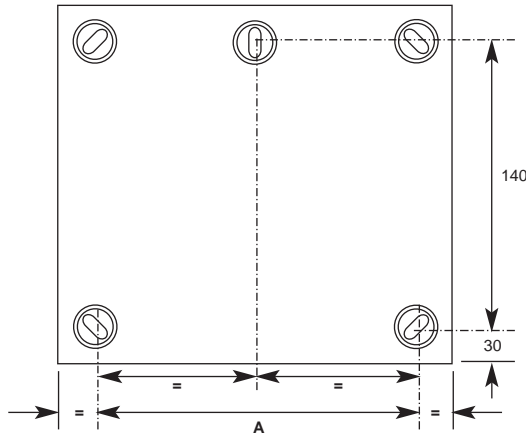
Position of DIN rail



Wall mounting
4 modules



8 and 12 modules



Number of modules	A	L
4	-	123
8	88	195
12	160	267